

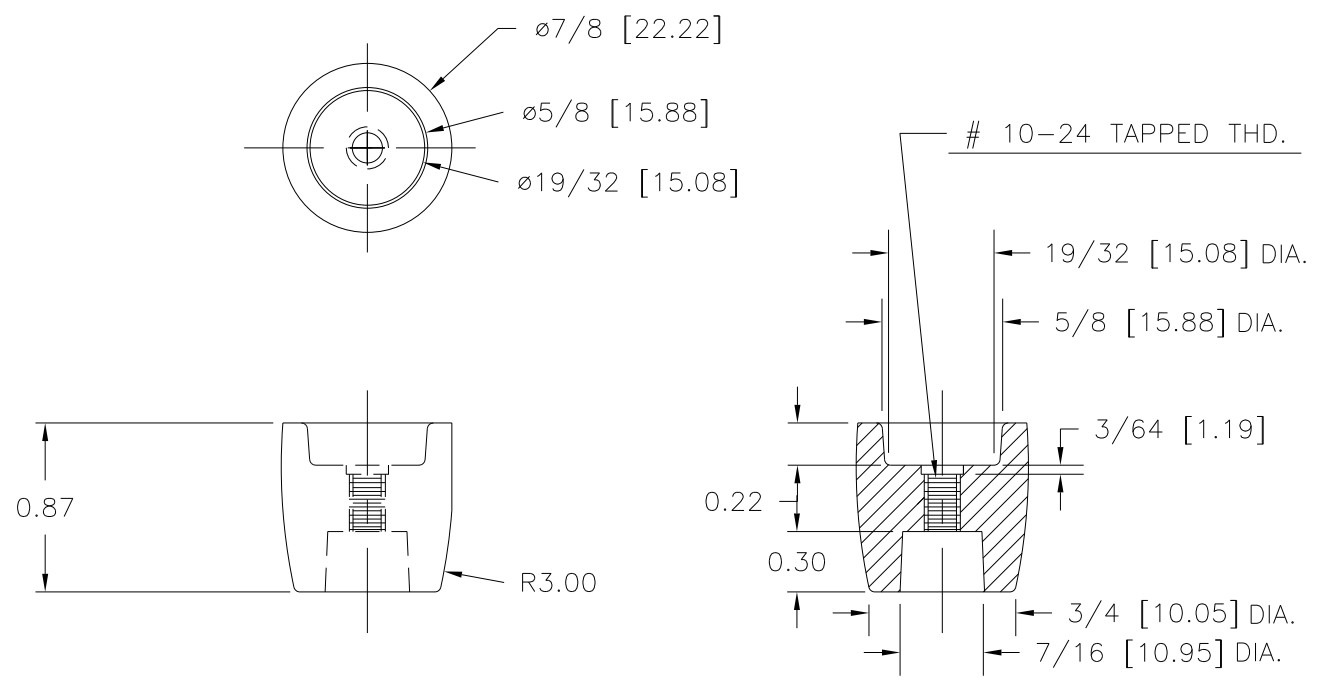
PART NAME: FOOT SCALE: 1:1 DATE: 8/23/63 DR. BY LSP

THIS DRAWING IS THE PROPERTY OF DAVIES MOLDING COMPANY, IS SUBMITTED SOLELY AS A DESIGN OR ENGINEERING PROJECT. WE ACCEPT NO RESPONSIBILITY WHATSOEVER FOR THE PRACTICAL APPLICATION OF THE PIECES MADE TO THIS DESIGN.



P/N 4020-D
BASE PART 4020-01

CAD/REDRAWN : 11/4/94 : HD (A)



MATERIAL: #2535 PLENCO PHENOLIC (B35)
COLOR: BLACK

TOLERANCES: UNLESS OTHERWISE SPECIFIED	DO NOT SCALE DRAWING			
DECIMALS: X.XXX ± .005 X.XX ± .015	MM: X.XX ± 0.15MM X.X ± 0.4MM	A	ADDED BASE PART	JAM 1/21/14
FRACTIONS ± 1/64	ANG. ± 1°	CHANGES		