

DETAILS

Product Number	CA13474_STRADA-A2
Family	Strada
Type	Assembly
Color	clear
Diameter	19,6 +15,4 mm
Height	10,5 mm
Style	rectang
Optic Material	PMMA
Holder Material	
Fastening	tape, pin
Status	production ready
ROHS Compliant	Yes
Date Updated	6/02/2014



OPTICAL PROPERTIES

LED	Viewing Angle	Light Beam	Efficiency	cd/lm	Connector
XT-E	141+41 deg	Streetligh...	87 %	0.930	-
XP-G2	141+41 deg	Streetligh...	88 %	0.930	-
Fortimo FastFlex LED board 2x8/757 DS	133+38 deg	Streetligh...	89 %	1.100	-
LH351Z	133+38 deg	Streetligh...	91 %	1.100	-

D

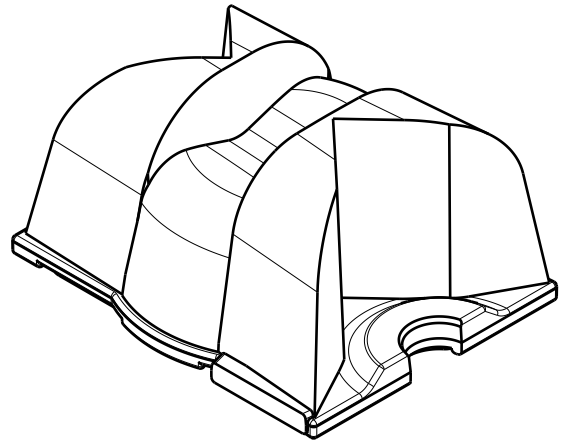
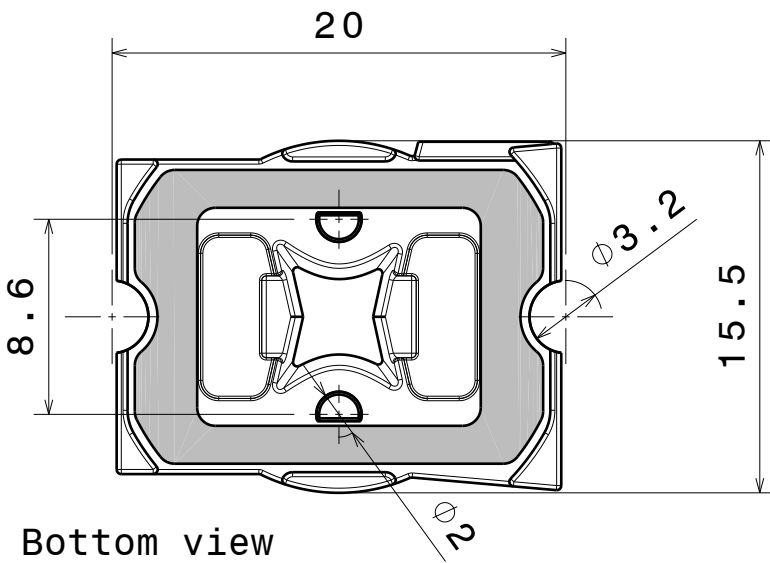
C

B

A

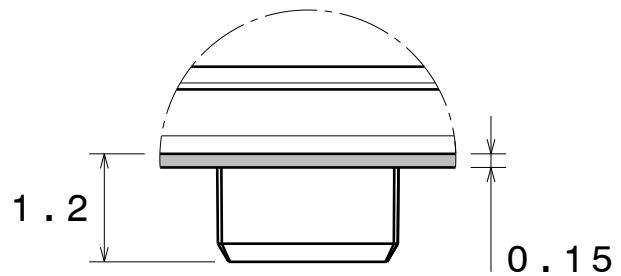
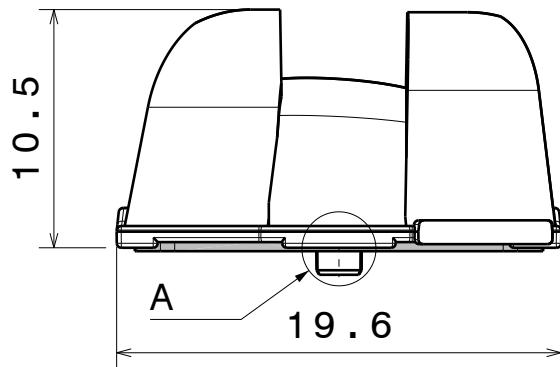
4

4



3

3

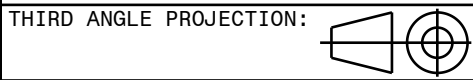


2

2

Tolerances if not otherwise shown
 According to DIN ISO 2768-1
 Linear measures:
 Up to 30mm class M, otherwise class C.
 According to DIN ISO 2768-2
 Form and position: class L

LEDiL LediL Oy
 Salorankatu 10
 FIN 24240 SALO
 Finland



DRAWING TITLE
STRADA-A2 Datasheet

This drawing is the property of LEDiL Oy. It may not be reproduced, copied or communicated without a written agreement with LEDiL Oy."

SIZE	PART NUMBER
A4	-

SCALE	3:1	WEIGHT	-	SHEET	1/1
-------	-----	--------	---	-------	-----

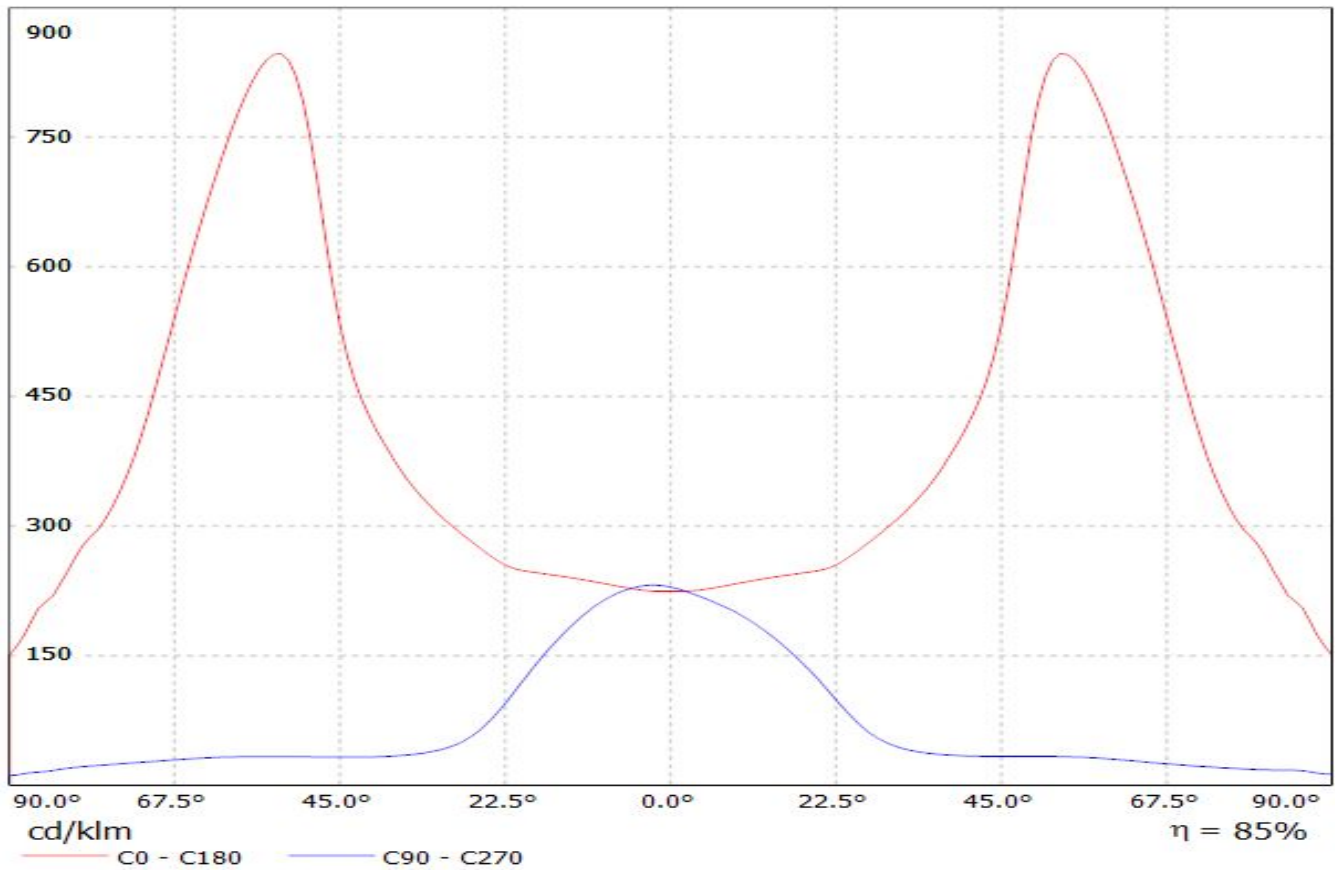
1

1

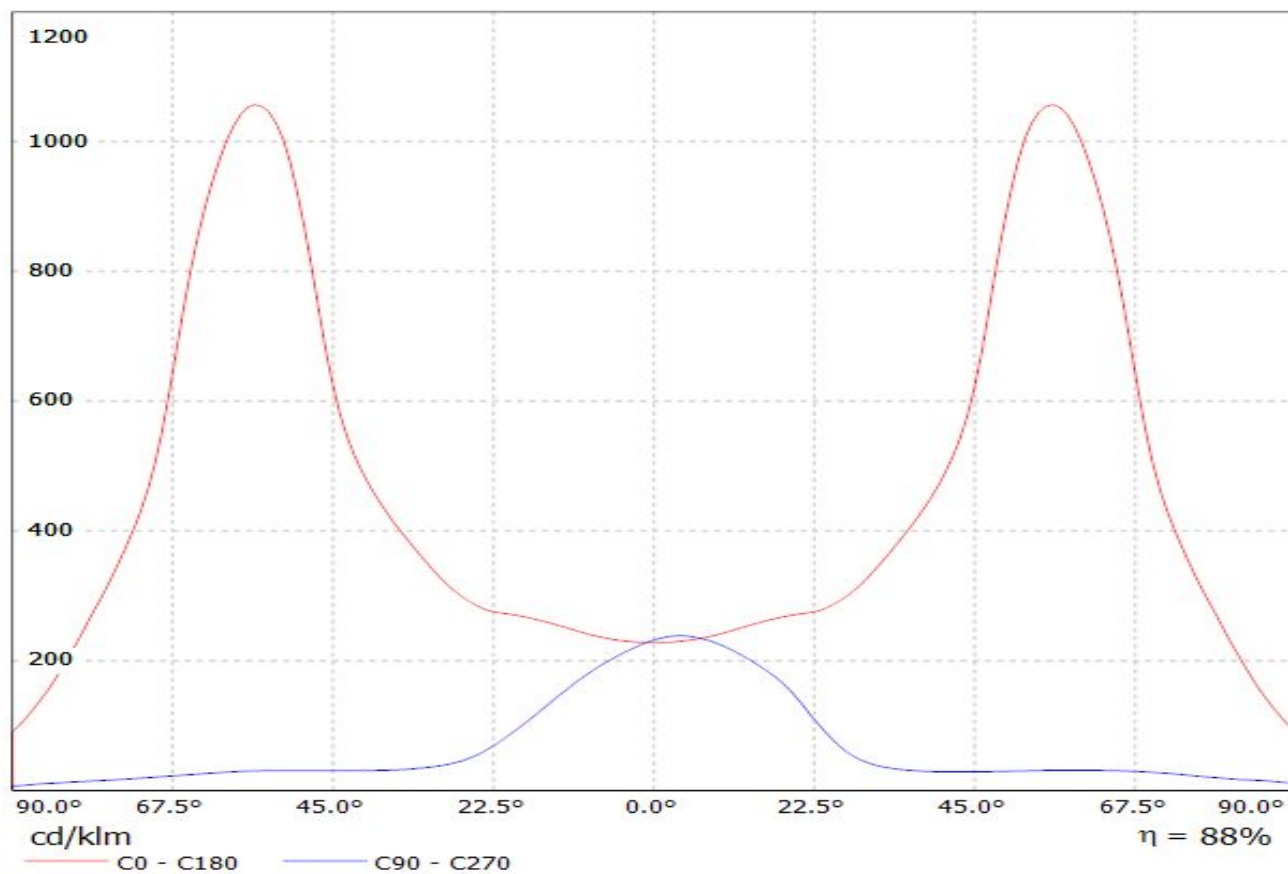
D

A

Luminaire: LEDiL Oy CA13474_STRADA-A2_(XT-E)
Lamps: 1 x Cree XT-E 74lm@250mA CCT:3000K P:0.8W

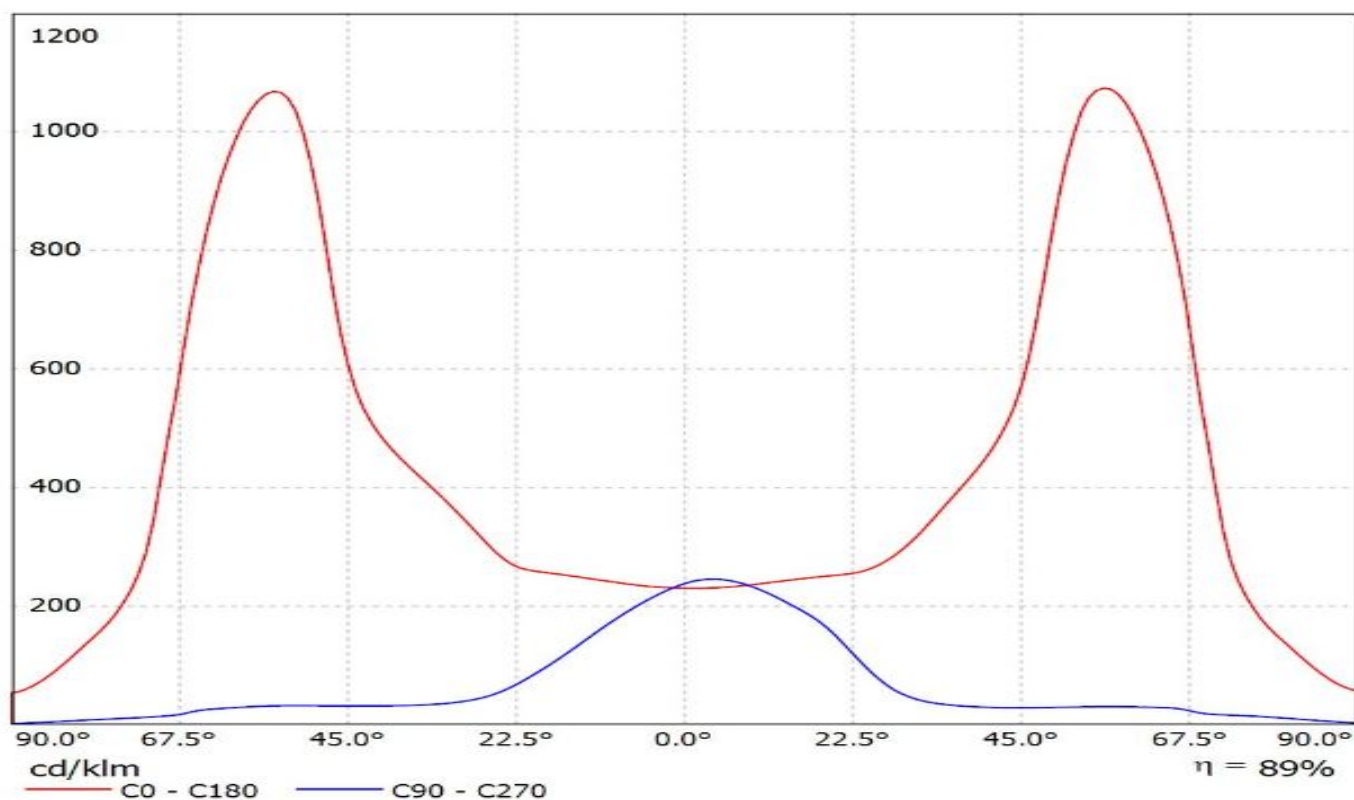


Luminaire: LEDiL Oy CA13474_STRADA-A2_(XP-G2)
Lamps: 1 x Cree XP-G2 102lm@250mA CCT:4934K P:0.757W

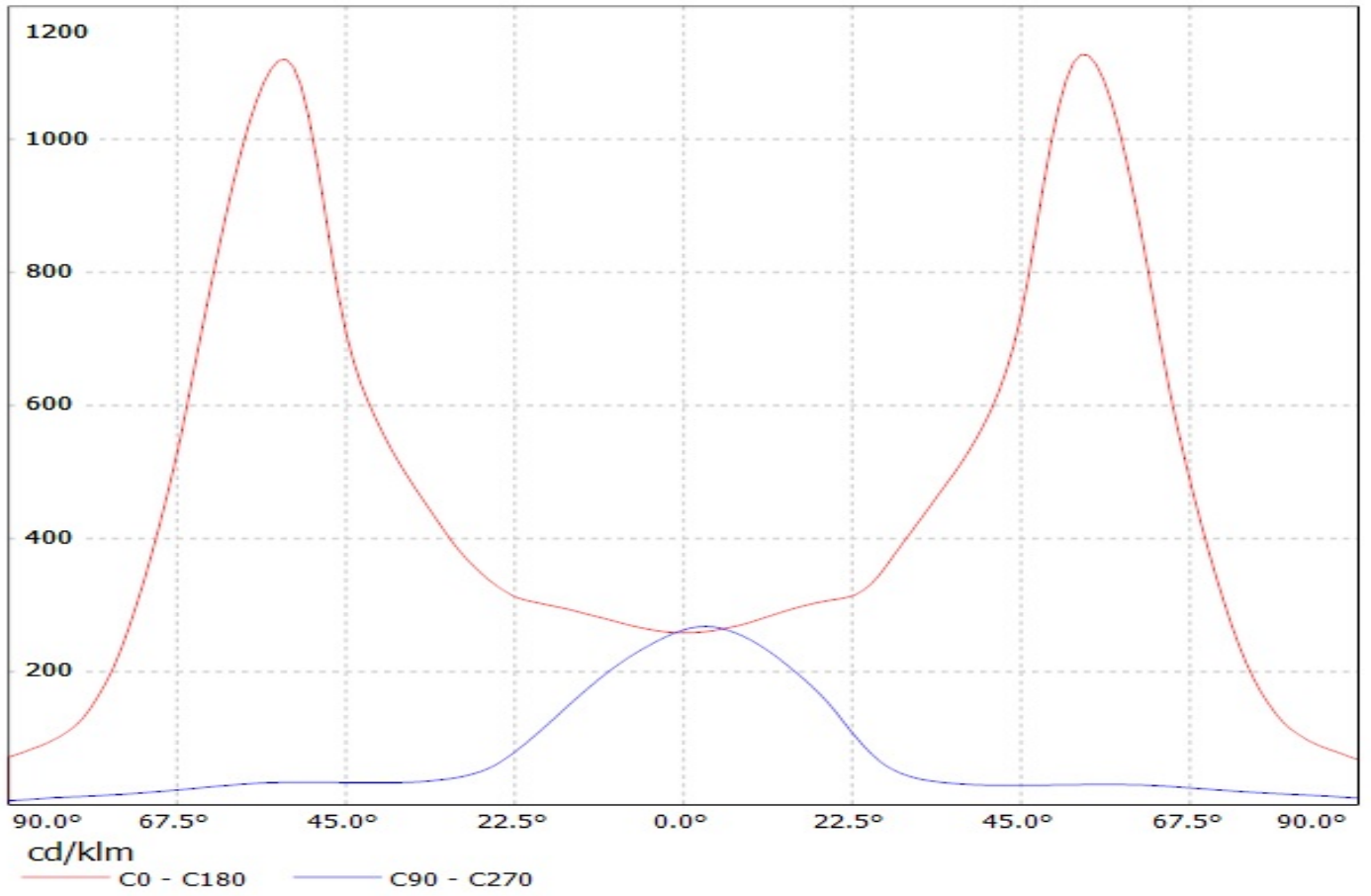


Ledil CA13474_STRADA-A2_(Fortimo_FastFlex_LED_board 2x8-757_DS_G3) / LDC (Linear)

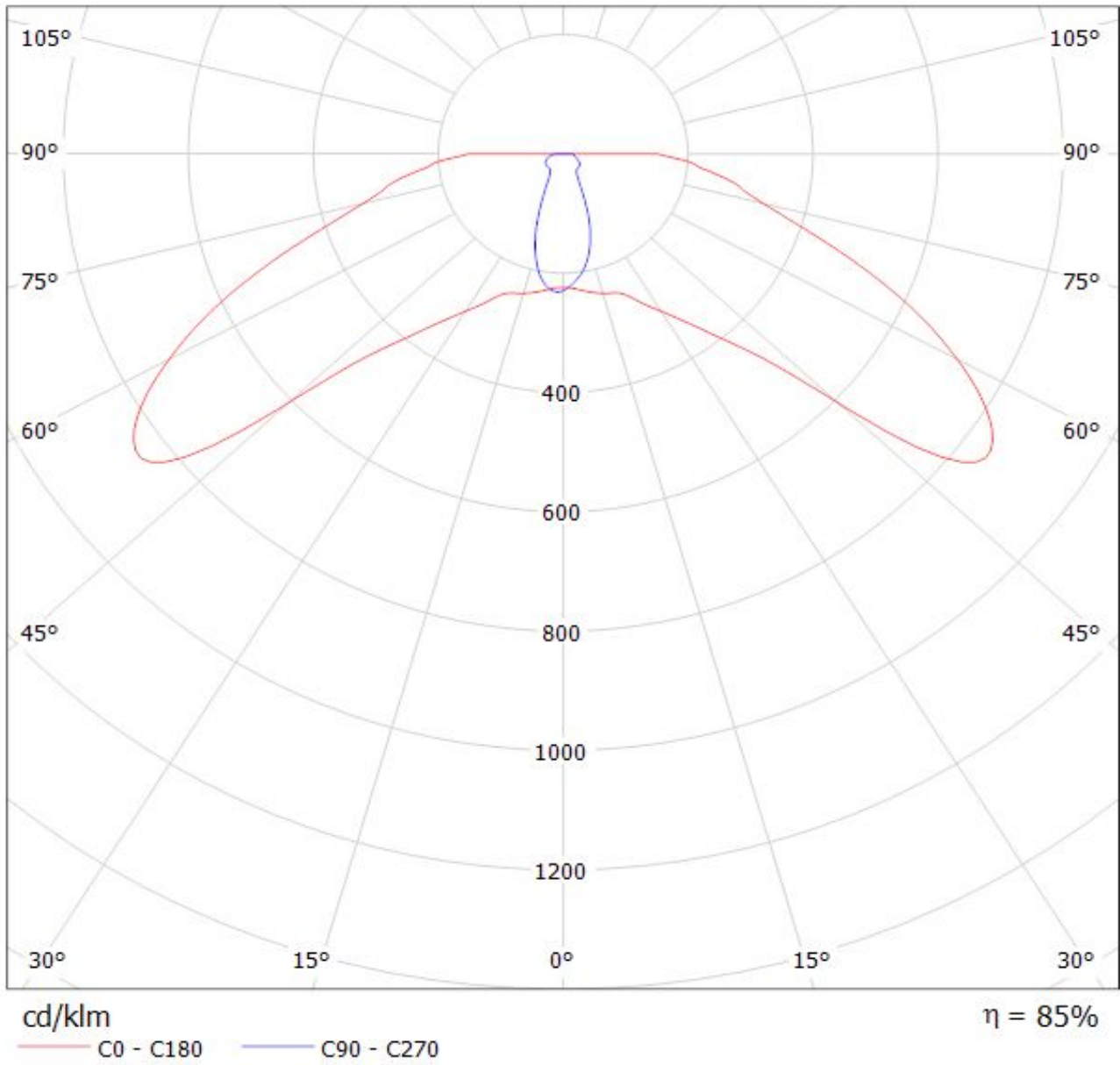
Luminaire: Ledil CA13474_STRADA-A2_(Fortimo_FastFlex_LED_board 2x8-757_DS_G3)
Lamps: 1 x Philips_Fortimo_FastFlex_LED_board 2x8/757_DS_G3_(XP-G2)
_3428.78lm@500mA_P=23.7W_I=0.5A



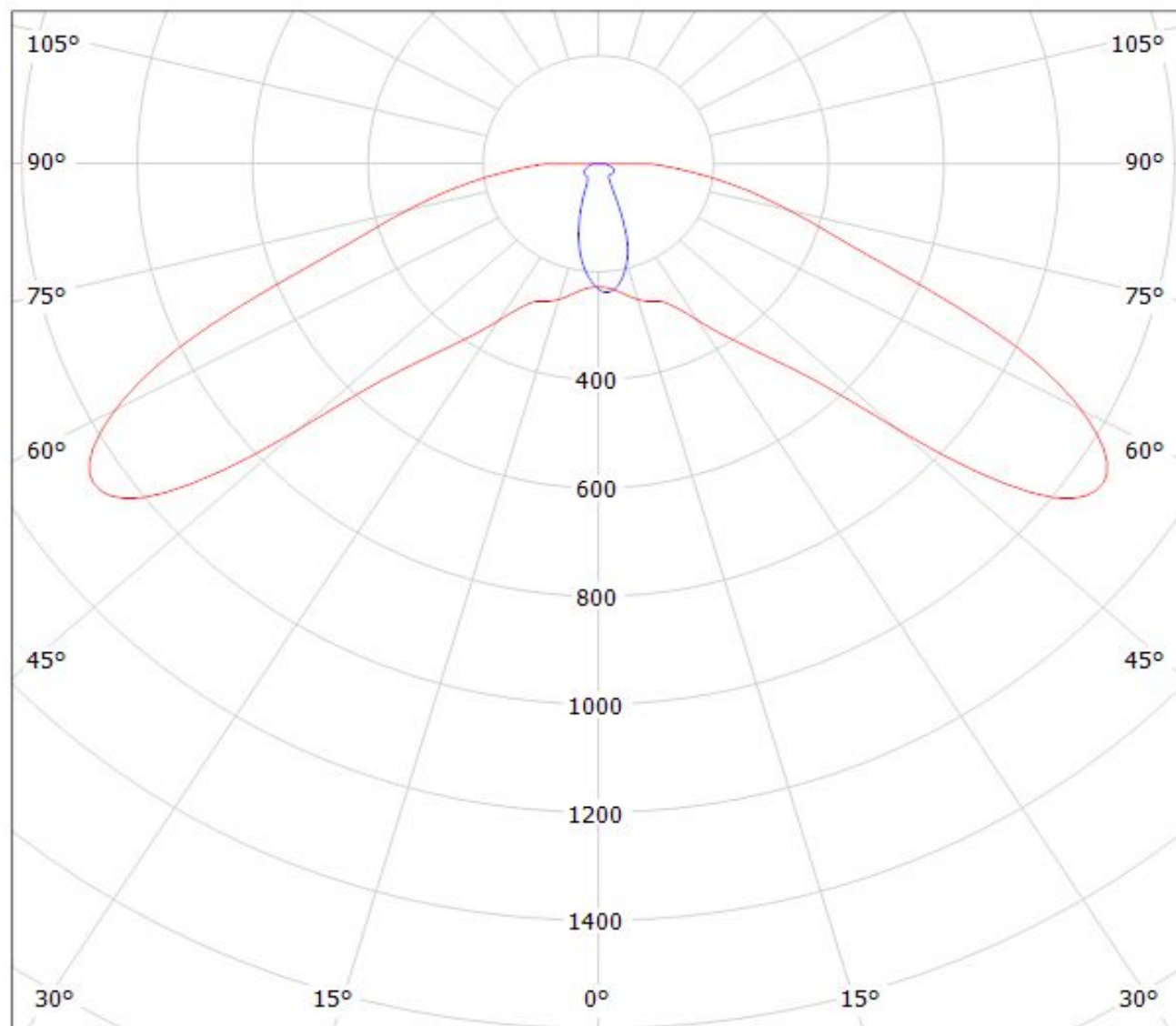
Luminaire: LEDiL Oy CA13474_STRADA-A2_(LH351Z) Eff.91.2%
Lamps: 1 x SAMSUNG_LH351Z_90.238lm@250mA_P=0.747026W_I=249.9mA



Luminaire: LEDiL Oy CA13474_STRADA-A2_(XT-E)
Lamps: 1 x Cree XT-E 74lm@250mA CCT:3000K P:0.8W



Luminaire: LEDiL Oy CA13474_STRADA-A2_(XP-G2)
Lamps: 1 x Cree XP-G2 102lm@250mA CCT:4934K P:0.757W



cd/klm

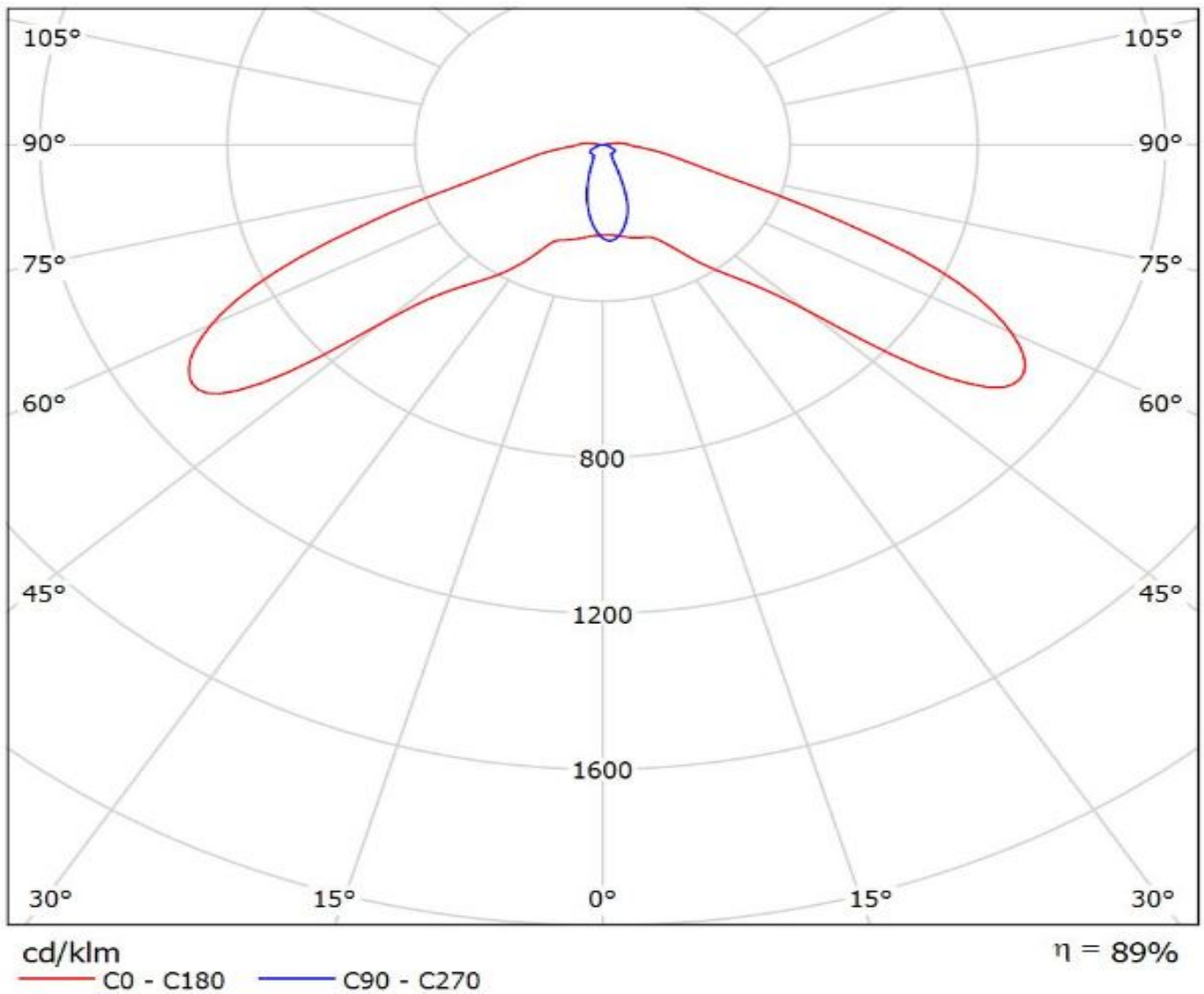
— C0 - C180

— C90 - C270

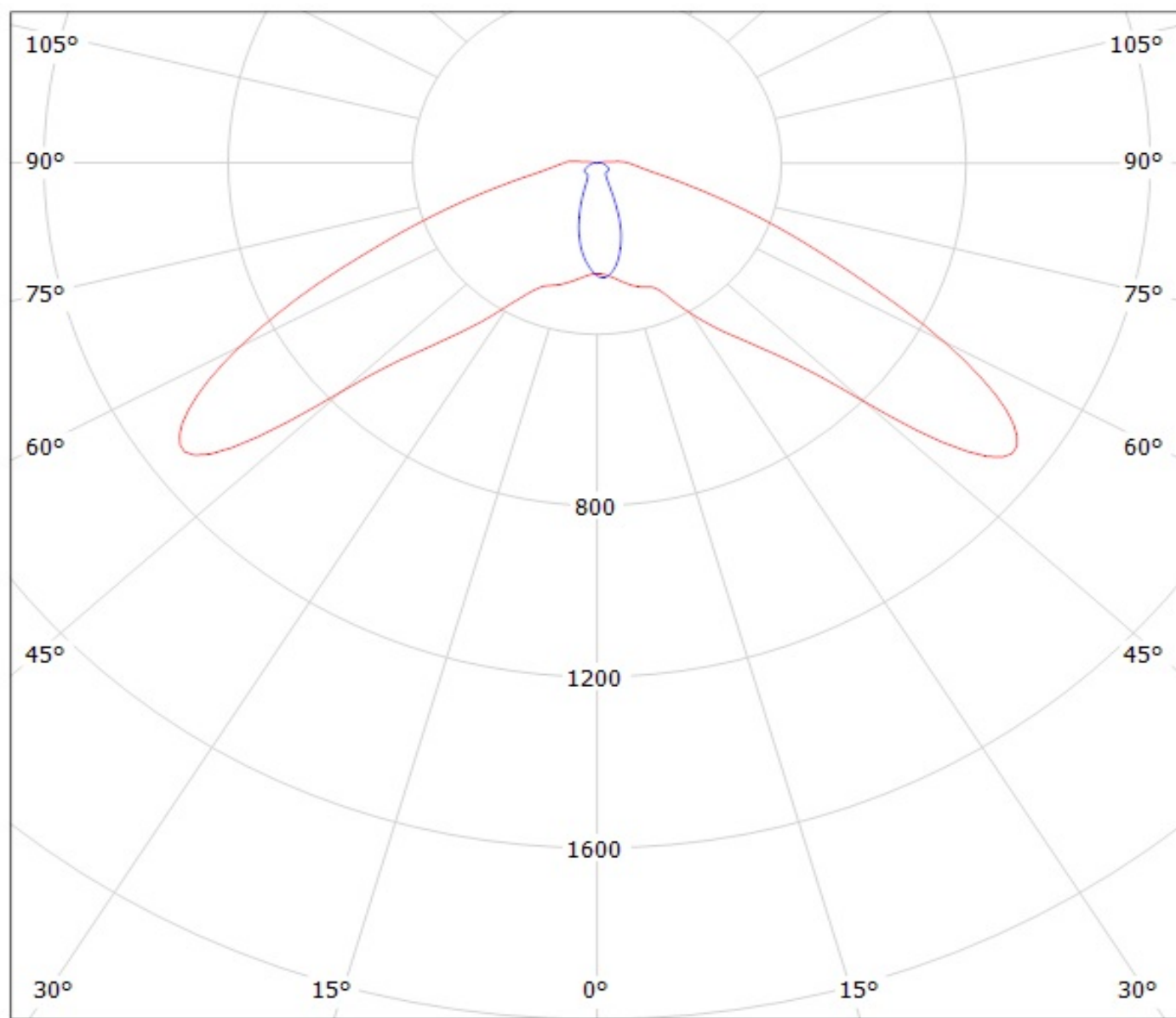
$\eta = 88\%$

Ledil CA13474_STRADA-A2_(Fortimo_FastFlex_LED_board 2x8-757_DS_G3) / LDC (Polar)

Luminaire: Ledil CA13474_STRADA-A2_(Fortimo_FastFlex_LED_board 2x8-757_DS_G3)
Lamps: 1 x Philips_Fortimo_FastFlex_LED_board 2x8/757_DS_G3_(XP-G2)
_3428.78lm@500mA_P=23.7W_I=0.5A



Luminaire: LEDiL Oy CA13474_STRADA-A2_(LH351Z) Eff.91.2%
Lamps: 1 x SAMSUNG_LH351Z_90.238lm@250mA_P=0.747026W_I=249.9mA



cd/klm

— C0 - C180 — C90 - C270

NOTE: The typical divergence will be changed by different color, chip size and chip position tolerance. The typical total divergence is the full angle measured where the luminous intensity is half of the peak value.