

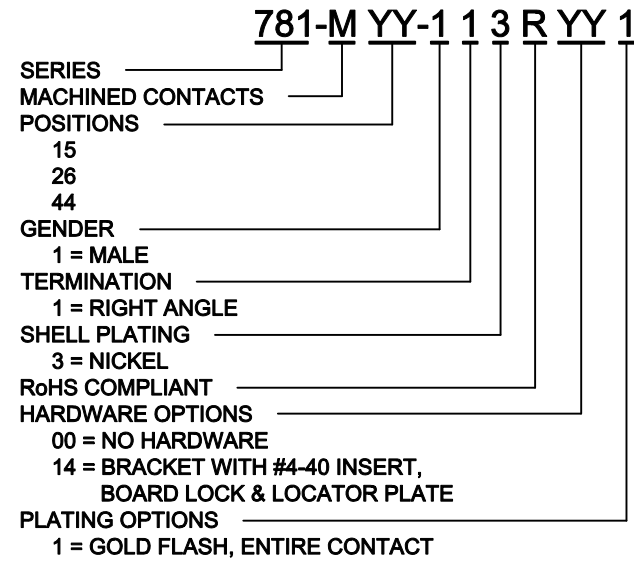
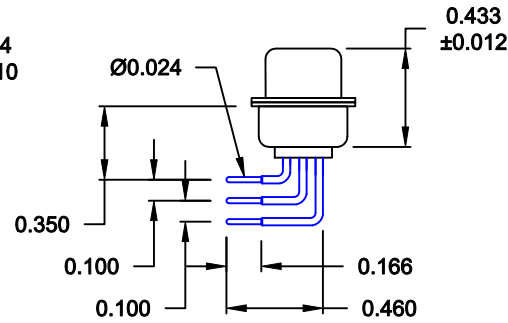
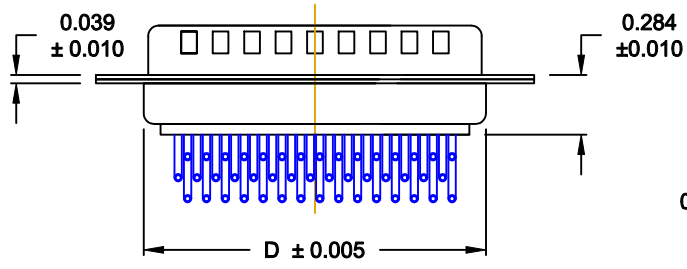
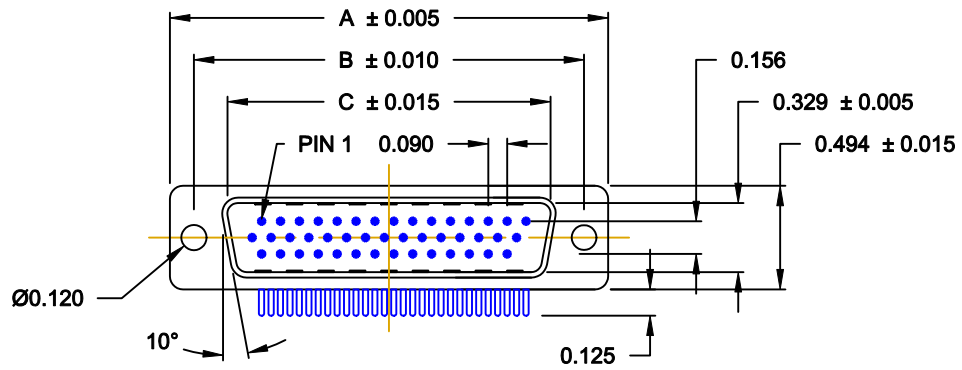
DESCRIPTION: MALE - HIGH DENSITY - MACHINED CONTACTS - RIGHT ANGLE

MATERIAL:

SHELL: STEEL MATERIAL, NICKEL FINISH
 INSULATOR: PA6T=260°C, UL 94V-0 RATED, BLACK
 CONTACT MATERIAL: BRASS
 CONTACT FINISH: SELECTIVE GOLD FINISHED
 SEALING MATERIAL: F08 FLEXIBLE ADHESIVE

ELECTRICAL:

CONTACT CURRENT RATING: 5 AMPS
 CONTACT RESISTANCE: 30 Milliohms Max.
 DIELECTRIC WITHSTANDING VOLTAGE: 1,000VAC Min.
 INSULATION RESISTANCE: 5,000 Megohms Min.
 TEMPERATURE RATING: -55° ~ +105° C





DIMENSIONS (IN.)				
No. OF PINS	A	B	C	D
15	1.213	0.984	0.666	0.759
26	1.541	1.312	0.994	1.083
44	2.088	1.852	1.534	1.625

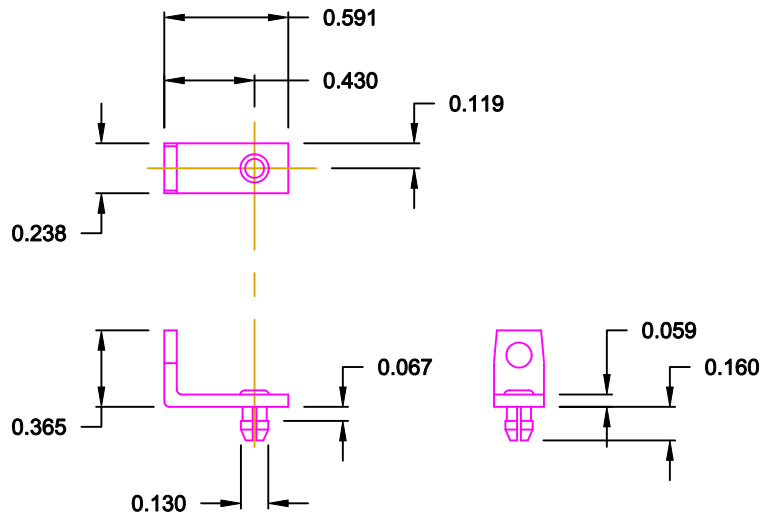
MEETS IP67 STANDARDS

(SEE PAGE 4 FOR SEALING DETAILS)

DO NOT SCALE FROM DRAWING

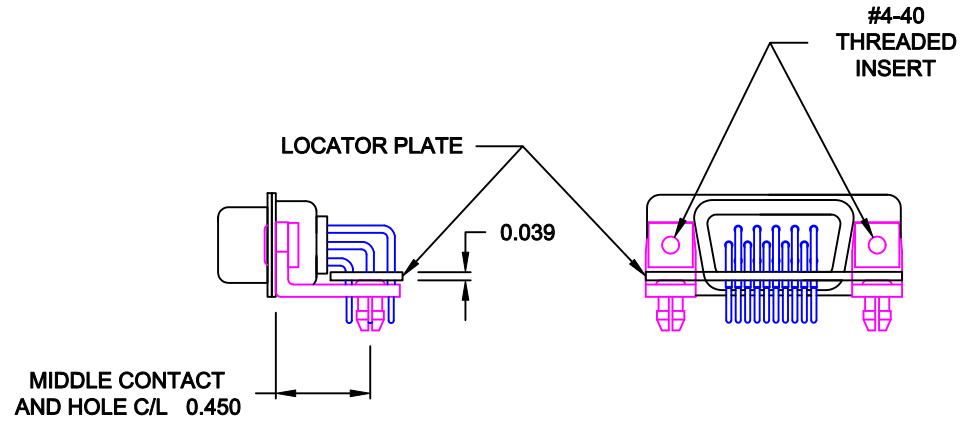
RoHS COMPLIANT

	THESE DRAWINGS AND SPECIFICATIONS ARE THE PROPERTY OF NorComp AND SHALL NOT BE REPRODUCED, COPIED OR USED AS THE BASIS FOR THE MANUFACTURE OF SALE OF APPARATUS WITHOUT WRITTEN PERMISSION.		DRAWN: C. SMITH	DATE: 03-16-07
			CHECKED:	DATE:
		SCALE: 1:1	SHEET 1 OF 4	REV 3
		DWG NO. 781-MYY-113RYY1		



**MOUNTING BRACKET
WITH BOARD LOCK**

HARDWARE OPTION 14



**BRACKETS MOUNTED ON CONNECTOR
WITH LOCATOR PLATE**

HARDWARE OPTION 14

**FOR CLARITY
HIDDEN LINES
NOT SHOWN**

MATERIAL: COLD ROLLED STEEL

PLATING: CLEAR ZINC



THESE DRAWINGS AND SPECIFICATIONS ARE THE PROPERTY OF NorComp AND SHALL NOT BE REPRODUCED, COPIED OR USED AS THE BASIS FOR THE MANUFACTURE OF SALE OF APPARATUS WITHOUT WRITTEN PERMISSION.

DRAWN:
PAM JENKINS

DATE:
11-28-05

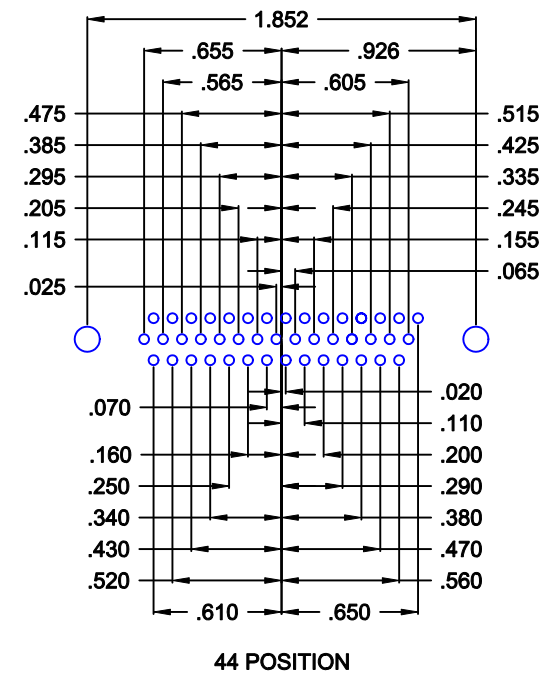
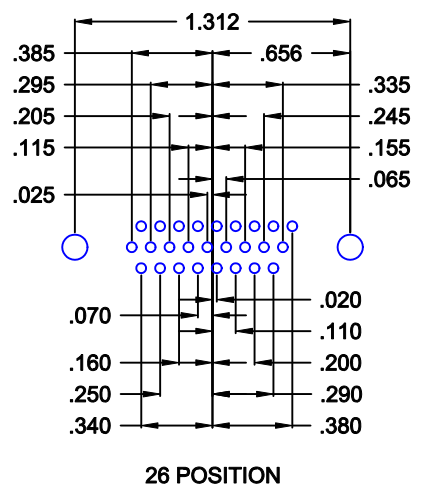
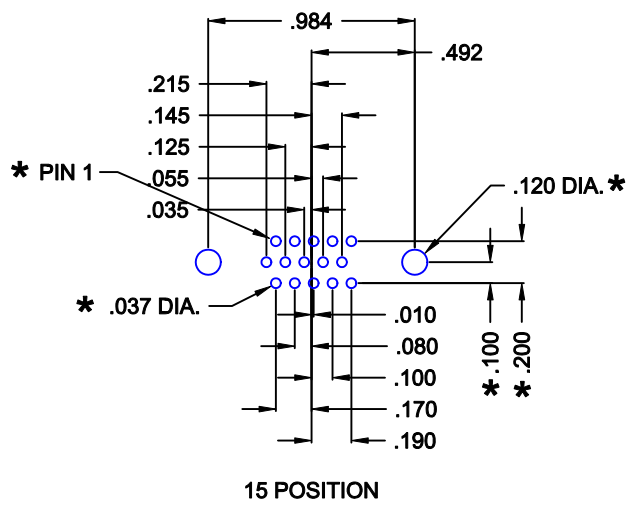
CHECKED:

DATE:

NorComp


SCALE: **1:1** SHEET **2** OF **4** REV **3**

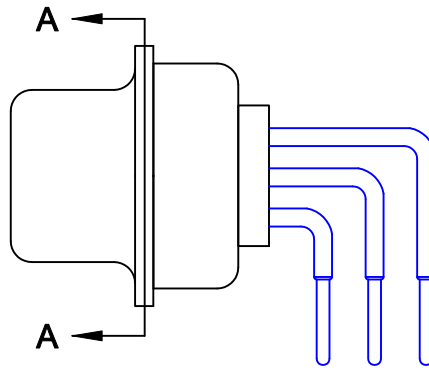
DWG NO. **781-MYY-113RYY1**



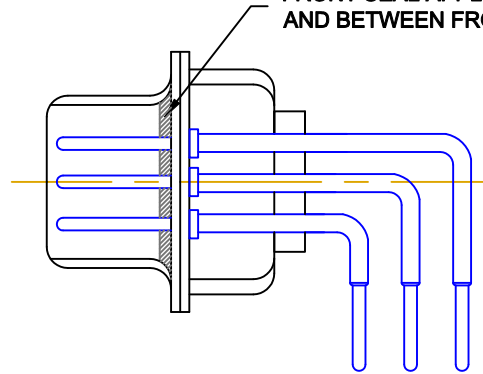
* TYP. ON ALL SIZES

DO NOT SCALE FROM DRAWING

	THESE DRAWINGS AND SPECIFICATIONS ARE THE PROPERTY OF NorComp AND SHALL NOT BE REPRODUCED, COPIED OR USED AS THE BASIS FOR THE MANUFACTURE OF SALE OF APPARATUS WITHOUT WRITTEN PERMISSION.		DRAWN: C. SMITH	DATE: 03-16-07
			CHECKED:	DATE:
NorComp		SCALE: 1 : 1	SHEET 3	OF 4
		DWG NO. 781-MYY-113RYY1		




FRONT SEAL APPLIED OVER INSULATOR AND BETWEEN FRONT & REAR SHELLS



DETAIL A-A

DO NOT SCALE FROM DRAWING

	THESE DRAWINGS AND SPECIFICATIONS ARE THE PROPERTY OF NorComp AND SHALL NOT BE REPRODUCED, COPIED OR USED AS THE BASIS FOR THE MANUFACTURE OF SALE OF APPARATUS WITHOUT WRITTEN PERMISSION.		DRAWN: C. SMITH	DATE: 06-10-09
			CHECKED:	DATE:
<h1>NorComp</h1>		SCALE: 2.5 : 1	SHEET 4 OF 4	REV 3
		DWG NO. 781-MYY-113RYY1		