

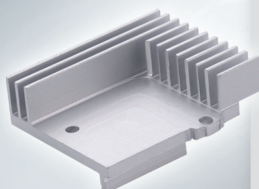
Thermal Module

*All products are RoHS compliant.

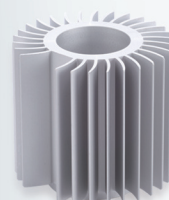
Server
Thermal Module



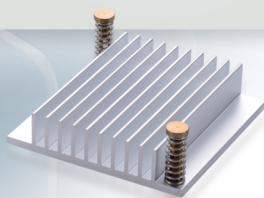
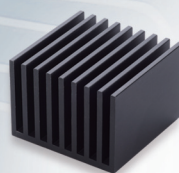
Projector
Thermal Module



LED Lighting
Thermal Module



Set Top Box
Thermal Module



Set Top Box Thermal Module

SA000-11002



■ Specifications

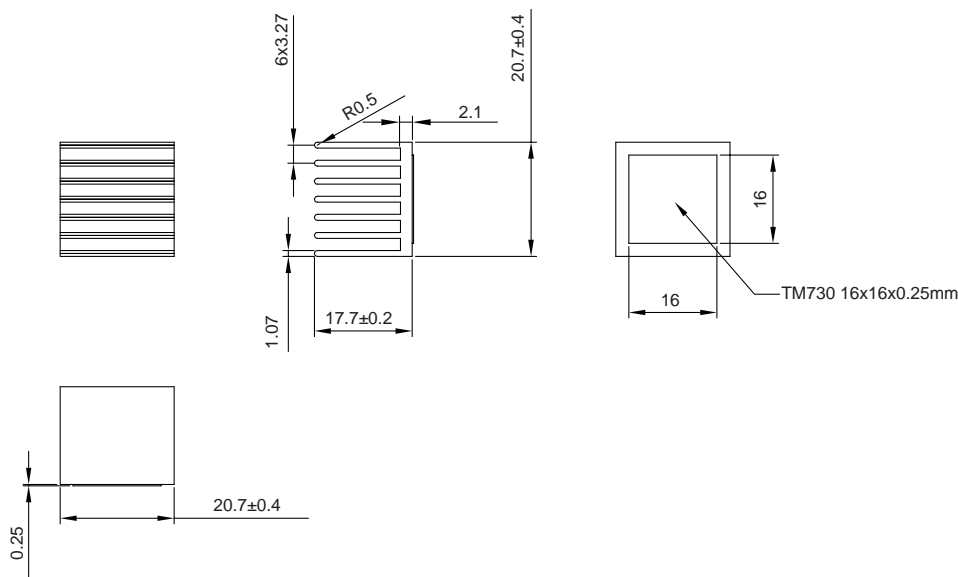
Thermal Module Dimension	L20.7xW20.7xH17.7 mm
Sink Material	AL6063-T5
Thermal Resistance	14°C/W
Mass	9 g

*熱阻(Thermal Resistance) 數值僅供參考，實際數據會因應用產品不同而改變，若需精確數據請將散熱模組置入應用產品中重新量測。
 *該數據是將散熱模組放置於10x10 mm² 面積的熱源上，在開放式無風流干擾環境中於散熱模組底部正中央量測的溫度。

*1 Thermal Resistance is for reference only. Actual thermal performance may vary by different applications. Please test it again by using on different applications.

*2 Thermal resistance is measured from the bottom middle of heat sink in free air without airflow obstructions, with 10*10 mm² heat source.

■ External dimensions(mm)



NOTES:

- All Rights reserved
- RoHS compliant

*此產品目錄之規格僅供參考，如有變更無法預先通知，請以業務提供的產品規格書為準。

*更多Sunon 產品資訊請至SUNON網站www.sunon.com瀏覽。

*Specifications are subject to change without notice. Specifications in this catalog are for reference.

*More Sunon products information please visit SUNON website at www.sunon.com.

Set Top Box Thermal Module

SA000-11003



■ Specifications

Thermal Module Dimension	L27.0xW27.0xH18.0 mm
Sink Material	AL6063-T5
Thermal Resistance	12°C/W
Mass	9.6 g

*熱阻(Thermal Resistance) 數值僅供參考，實際數據會因應用產品不同而改變，若需精確數據請將散熱模組置入應用產品中重新量測。
 *該數據是將散熱模組放置於10x10 mm² 面積的熱源上，在開放式無風流干擾環境中於散熱模組底部正中央量測的溫度。

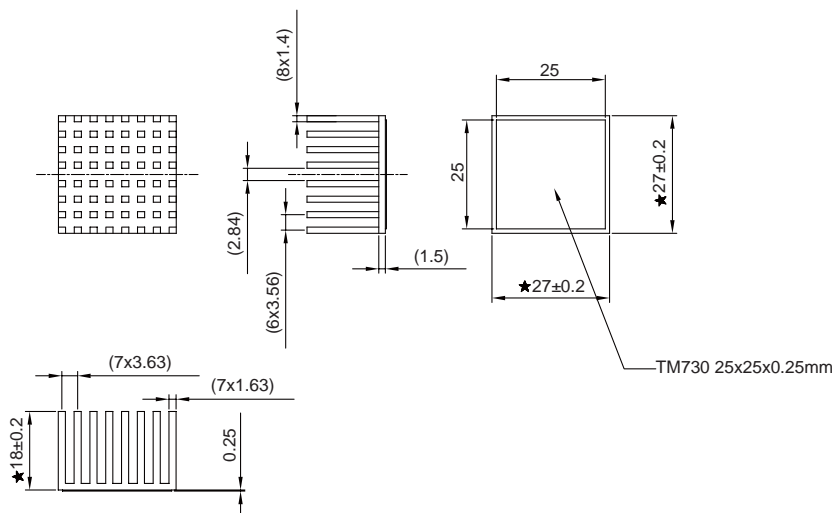
*1 Thermal Resistance is for reference only. Actual thermal performance may vary by different applications. Please test it again by using on different applications.

*2 Thermal resistance is measured from the bottom middle of heat sink in free air without airflow obstructions, with 10*10 mm² heat source.

■ External dimensions(mm)

NOTES:

- All Rights reserved
- RoHS compliant



*此產品目錄之規格僅供參考，如有變更無法預先通知，請以業務提供的產品規格書為準。

*更多Sunon 產品資訊請至SUNON網站www.sunon.com瀏覽。

*Specifications are subject to change without notice. Specifications in this catalog are for reference.

*More Sunon products information please visit SUNON website at www.sunon.com.

Set Top Box Thermal Module

SA000-12009



■ Specifications

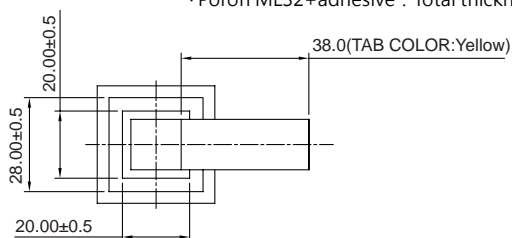
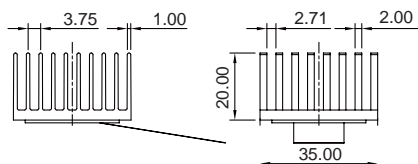
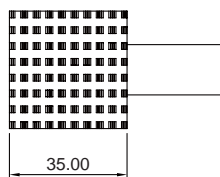
Thermal Module Dimension	L35.0xW35.0xH20.0 mm
Sink Material	AL6063-T5
Thermal Resistance	7.0°C/W
Mass	17.4 g

*熱阻(Thermal Resistance) 數值僅供參考，實際數據會因應用產品不同而改變，若需精確數據請將散熱模組置入應用產品中重新量測。
 *該數據是將散熱模組放置於10x10 mm² 面積的熱源上，在開放式無風流干擾環境中於散熱模組底部正中央量測的溫度。

*1 Thermal Resistance is for reference only. Actual thermal performance may vary by different applications. Please test it again by using on different applications.

*2 Thermal resistance is measured from the bottom middle of heat sink in free air without airflow obstructions, with 10*10 mm² heat source.

■ External dimensions(mm)



NOTES:

- All Rights reserved
- Sink Finish : Anodizing Black
- RoHS compliant
- Poron ML32+adhesive : Total thickness 0.6+/-0.2mm

*此產品目錄之規格僅供參考，如有變更無法預先通知，請以業務提供的產品規格書為準。

*更多Sunon 產品資訊請至SUNON網站www.sunon.com瀏覽。

*Specifications are subject to change without notice. Specifications in this catalog are for reference.

*More Sunon products information please visit SUNON website at www.sunon.com.

Set Top Box Thermal Module

SA000-11021



■ Specifications

Thermal Module Dimension	L35.0xW2xH25.0 mm
Sink Material	AL6063-T5
Thermal Resistance	7.0°C/W
Mass	34.7 g

*熱阻(Thermal Resistance) 數值僅供參考，實際數據會因應用產品不同而改變，若需精確數據請將散熱模組置入應用產品中重新量測。
*該數據是將散熱模組放置於10x10 mm² 面積的熱源上，在開放式無風流干擾環境中於散熱模組底部正中央量測的溫度。

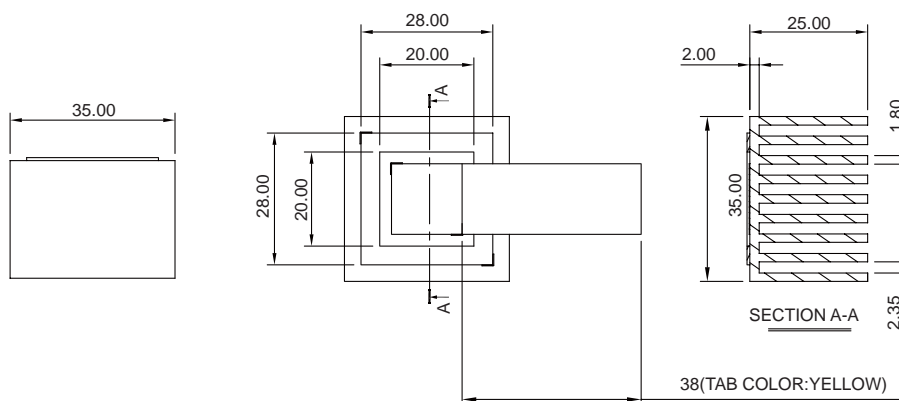
*1 Thermal Resistance is for reference only. Actual thermal performance may vary by different applications. Please test it again by using on different applications.

*2 Thermal resistance is measured from the bottom middle of heat sink in free air without airflow obstructions, with 10*10 mm² heat source.

■ External dimensions(mm)

NOTES:

- All Rights reserved
- Sink Finish : Anodizing Black
- RoHS compliant
- Poron ML32+adhesive : Total thickness 0.6+/-0.2mm



*此產品目錄之規格僅供參考，如有變更無法預先通知，請以業務提供的產品規格書為準。

*更多Sunon 產品資訊請至SUNON網站www.sunon.com瀏覽。

*Specifications are subject to change without notice. Specifications in this catalog are for reference.

*More Sunon products information please visit SUNON website at www.sunon.com.

Set Top Box Thermal Module

SA000-11022



■ Specifications

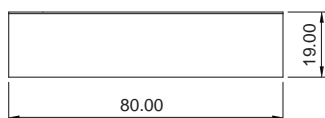
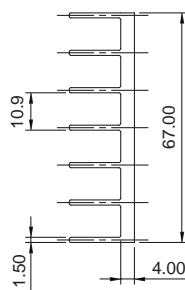
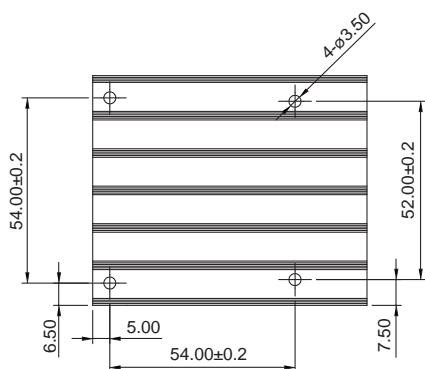
Thermal Module Dimension	L80.0xW67.0xH19.0 mm
Sink Material	AL6063-T5
Thermal Resistance	12.0°C/W
Mass	92.8 g

*熱阻(Thermal Resistance) 數值僅供參考，實際數據會因應用產品不同而改變，若需精確數據請將散熱模組置入應用產品中重新量測。
 *該數據是將散熱模組放置於10x10 mm² 面積的熱源上，在開放式無風流干擾環境中於散熱模組底部正中央量測的溫度。

*1 Thermal Resistance is for reference only. Actual thermal performance may vary by different applications. Please test it again by using on different applications.

*2 Thermal resistance is measured from the bottom middle of heat sink in free air without airflow obstructions, with 10*10 mm² heat source.

■ External dimensions(mm)



NOTES:

- All Rights reserved
- Finish : Degrease

*此產品目錄之規格僅供參考，如有變更無法預先通知，請以業務提供的產品規格書為準。

*更多Sunon 產品資訊請至SUNON網站www.sunon.com瀏覽。

*Specifications are subject to change without notice. Specifications in this catalog are for reference.

*More Sunon products information please visit SUNON website at www.sunon.com.

Set Top Box Thermal Module

SA000-13008



■ Specifications

Thermal Module Dimension	L19xW37xH10.0 mm
Sink Material	AL6063-T5
Thermal Resistance	17.0°C/W
Mass	8.5 g

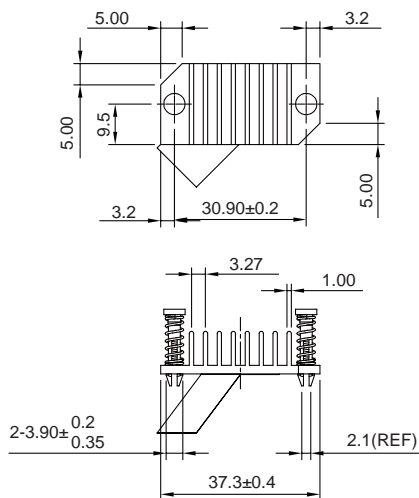
*熱阻(Thermal Resistance) 數值僅供參考，實際數據會因應用產品不同而改變，若需精確數據請將散熱模組置入應用產品中重新量測。

*該數據是將散熱模組放置於10x10 mm²面積的熱源上，在開放式無風流干擾環境中於散熱模組底部正中央量測的溫度。

*1 Thermal Resistance is for reference only. Actual thermal performance may vary by different applications. Please test it again by using on different applications.

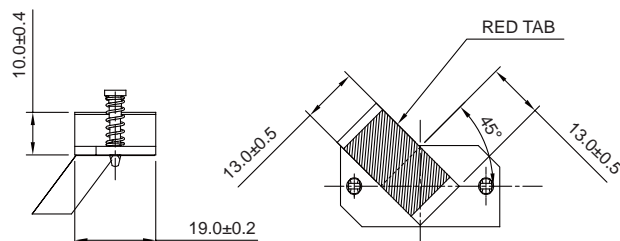
*2 Thermal resistance is measured from the bottom middle of heat sink in free air without airflow obstructions, with 10*10 mm² heat source.

■ External dimensions(mm)



NOTES:

- All Rights reserved
- Sink Finish : Degrease
- RoHS compliant
- CU PUSH PIN Material : C6802($\frac{1}{2}$ H)
- CU PUSH PIN use hole in PCB \varnothing 2.9mm



*此產品目錄之規格僅供參考，如有變更無法預先通知，請以業務提供的產品規格書為準。

*更多Sunon 產品資訊請至SUNON網站www.sunon.com瀏覽。

*Specifications are subject to change without notice. Specifications in this catalog are for reference.

*More Sunon products information please visit SUNON website at www.sunon.com.

Set Top Box Thermal Module

SA000-12024



■ Specifications

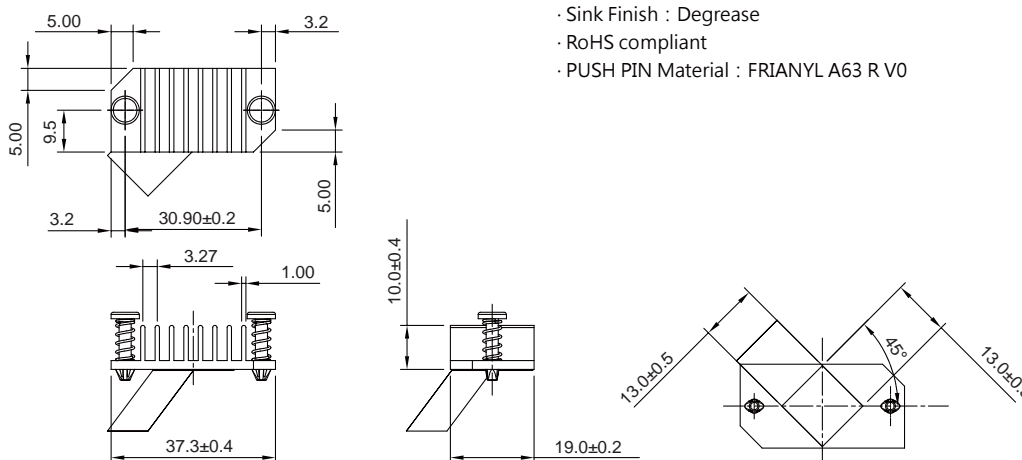
Thermal Module Dimension	L19xW37xH10.0 mm
Sink Material	AL6063-T5
Thermal Resistance	17.0°C/W
Mass	7 g

*熱阻(Thermal Resistance) 數值僅供參考，實際數據會因應用產品不同而改變，若需精確數據請將散熱模組置入應用產品中重新量測。
 *該數據是將散熱模組放置於10x10 mm² 面積的熱源上，在開放式無風流干擾環境中於散熱模組底部正中央量測的溫度。

*1 Thermal Resistance is for reference only. Actual thermal performance may vary by different applications. Please test it again by using on different applications.

*2 Thermal resistance is measured from the bottom middle of heat sink in free air without airflow obstructions, with 10*10 mm² heat source.

■ External dimensions(mm)



NOTES:

- All Rights reserved
- Sink Finish : Degrease
- RoHS compliant
- PUSH PIN Material : FRIANYL A63 R V0

*此產品目錄之規格僅供參考，如有變更無法預先通知，請以業務提供的產品規格書為準。

*更多Sunon 產品資訊請至SUNON網站www.sunon.com瀏覽。

*Specifications are subject to change without notice. Specifications in this catalog are for reference.

*More Sunon products information please visit SUNON website at www.sunon.com.

Set Top Box Thermal Module

SA000-12016



■ Specifications

Thermal Module Dimension	L31xW31xH10.0 mm
Sink Material	AL6063-T5
Thermal Resistance	14.0°C/W
Mass	11.8 g

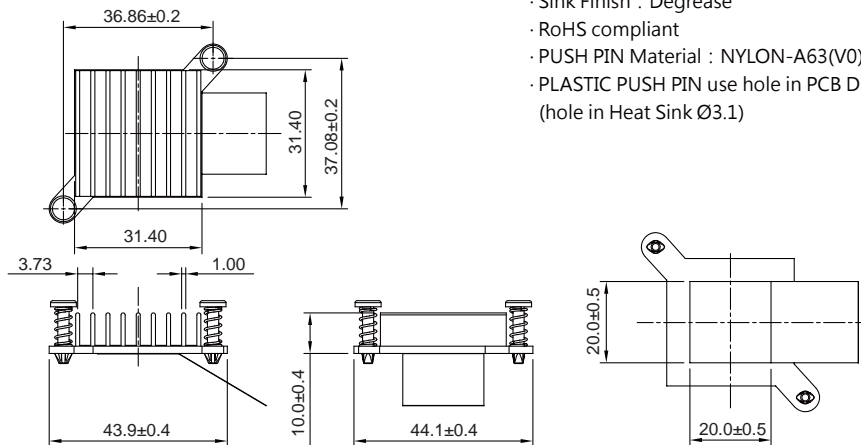
*熱阻(Thermal Resistance) 數值僅供參考，實際數據會因應用產品不同而改變，若需精確數據請將散熱模組置入應用產品中重新量測。

*該數據是將散熱模組放置於10x10 mm² 面積的熱源上，在開放式無風流干擾環境中於散熱模組底部正中央量測的溫度。

*1 Thermal Resistance is for reference only. Actual thermal performance may vary by different applications. Please test it again by using on different applications.

*2 Thermal resistance is measured from the bottom middle of heat sink in free air without airflow obstructions, with 10*10 mm² heat source.

■ External dimensions(mm)



NOTES:

- All Rights reserved
- Sink Finish : Degrease
- RoHS compliant
- PUSH PIN Material : NYLON-A63(V0)
- PLASTIC PUSH PIN use hole in PCB Diameter 2.9 mm (hole in Heat Sink Ø3.1)

*此產品目錄之規格僅供參考，如有變更無法預先通知，請以業務提供的產品規格書為準。

*更多Sunon 產品資訊請至SUNON網站www.sunon.com瀏覽。

*Specifications are subject to change without notice. Specifications in this catalog are for reference.

*More Sunon products information please visit SUNON website at www.sunon.com.

Set Top Box Thermal Module

SA000-13007



■ Specifications

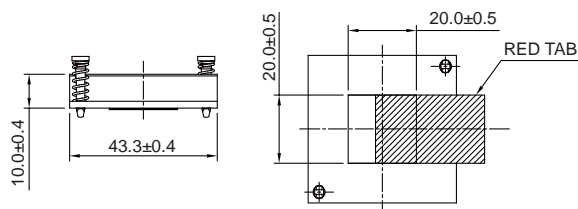
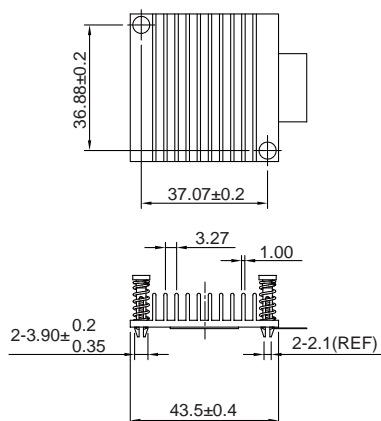
Thermal Module Dimension	L43xW43xH10.0 mm
Sink Material	AL6063-T5
Thermal Resistance	15.0°C/W
Mass	20.1 g

*熱阻(Thermal Resistance) 數值僅供參考，實際數據會因應用產品不同而改變，若需精確數據請將散熱模組置入應用產品中重新量測。
 *該數據是將散熱模組放置於10x10 mm² 面積的熱源上，在開放式無風流干擾環境中於散熱模組底部正中央量測的溫度。

*1 Thermal Resistance is for reference only. Actual thermal performance may vary by different applications. Please test it again by using on different applications.

*2 Thermal resistance is measured from the bottom middle of heat sink in free air without airflow obstructions, with 10*10 mm² heat source.

■ External dimensions(mm)



NOTES:

- All Rights reserved
- Sink Finish : Degrease
- RoHS compliant
- PUSH PIN Material : NYLON-A63(V0)
- CU PUSH PIN Material : C6802($\frac{1}{2}$ H)
- CU PUSH PIN use hole in PCB \varnothing 2.9mm

*此產品目錄之規格僅供參考，如有變更無法預先通知，請以業務提供的產品規格書為準。

*更多Sunon 產品資訊請至SUNON網站www.sunon.com瀏覽。

*Specifications are subject to change without notice. Specifications in this catalog are for reference.

*More Sunon products information please visit SUNON website at www.sunon.com.

LED Lighting Thermal Module

SA000-11009



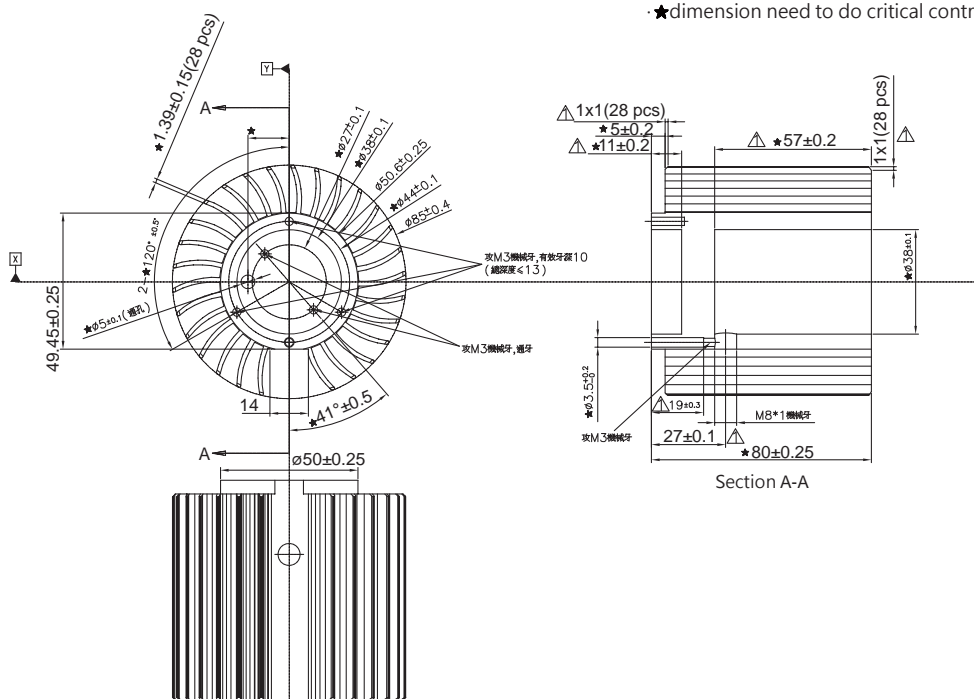
■ Specifications

Thermal Module Dimension	D85xH80 mm
HEAT SINK	AL6063-T5
Thermal Resistance	6°C/W
Mass	462 g

*熱阻(Thermal Resistance) 數值僅供參考，實際數據會因應用產品不同而改變，若需精確數據請將散熱模組置入應用產品中重新量測。

*1 Thermal Resistance is for reference only. Actual thermal performance may vary by different applications. Please test it again by using on different applications.

■ External dimensions(mm)



NOTES:

- SINK Finish : Anodized Standard Nature
- RoHS compliant
- ★dimension need to do critical control

*此產品目錄之規格僅供參考，如有變更無法預先通知，請以業務提供的產品規格書為準。

*更多Sunon 產品資訊請至SUNON網站www.sunon.com瀏覽。

*Specifications are subject to change without notice. Specifications in this catalog are for reference.

*More Sunon products information please visit SUNON website at www.sunon.com.

LED Lighting Thermal Module

SA000-12003



■ Specifications

Thermal Module Dimension	D56xH52 mm
HEAT SINK	AL6063-T5
Thermal Resistance	7.1°C/W
Mass	295 g

*熱阻(Thermal Resistance) 數值僅供參考，實際數據會因應用產品不同而改變，若需精確數據請將散熱模組置入應用產品中重新量測。
*該數據是將散熱模組放置於10x10 mm² 面積的熱源上，在開放式無風流干擾環境中於散熱模組底部正中央量測的溫度。

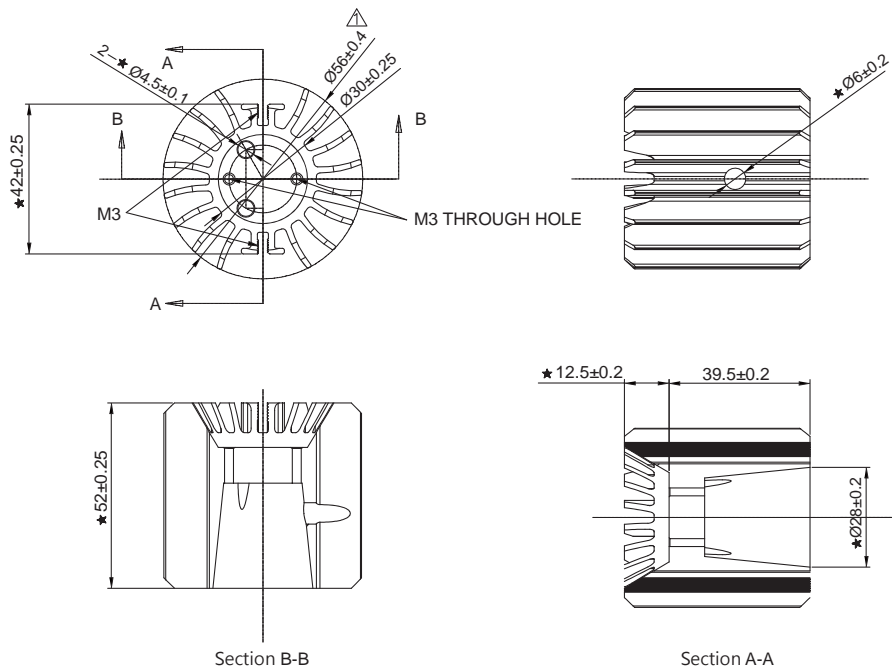
*1 Thermal Resistance is for reference only. Actual thermal performance may vary by different applications. Please test it again by using on different applications.

*2 Thermal resistance is measured from the bottom middle of heat sink in free air without airflow obstructions, with 10*10 mm² heat source.

■ External dimensions(mm)

NOTES:

- SINK Finish : Anodized Standard Black
- RoHS compliant
- ★dimension need to do critical control



*此產品目錄之規格僅供參考，如有變更無法預先通知，請以業務提供的產品規格書為準。

*更多Sunon 產品資訊請至SUNON網站www.sunon.com瀏覽。

*Specifications are subject to change without notice. Specifications in this catalog are for reference.

*More Sunon products information please visit SUNON website at www.sunon.com.

LED Lighting Thermal Module

SA000-12004



■ Specifications

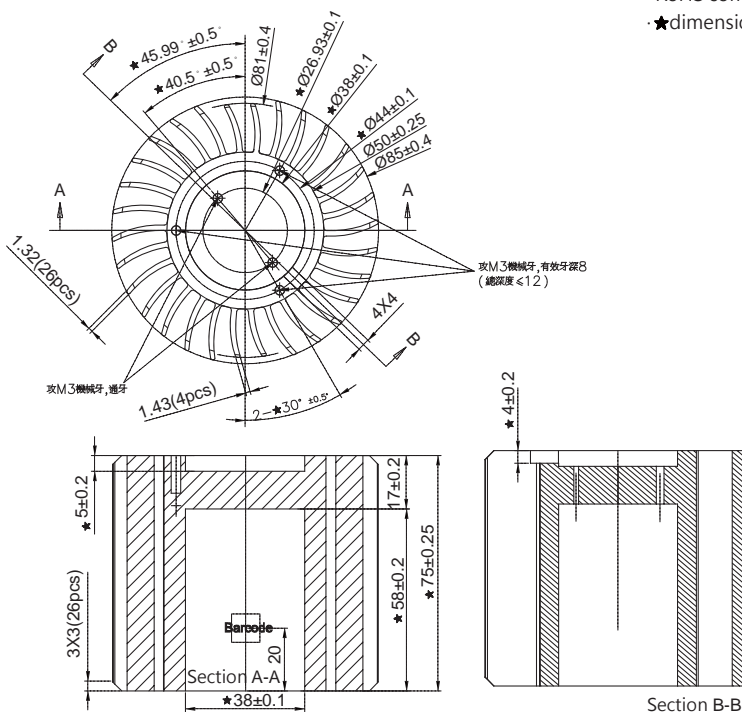
Thermal Module Dimension	D85xH75 mm
HEAT SINK	AL6063-T5
Thermal Resistance	21.4°C/W
Mass	343 g

*熱阻(Thermal Resistance) 數值僅供參考，實際數據會因應用產品不同而改變，若需精確數據請將散熱模組置入應用產品中重新量測。
*該數據是將散熱模組放置於10x10 mm²面積的熱源上，在開放式無風流干擾環境中於散熱模組底部正中央量測的溫度。

*1 Thermal Resistance is for reference only. Actual thermal performance may vary by different applications. Please test it again by using on different applications.

*2 Thermal resistance is measured from the bottom middle of heat sink in free air without airflow obstructions, with 10*10 mm² heat source.

■ External dimensions(mm)



NOTES:

- SINK Finish : Anodized Standard Black
- RoHS compliant
- ★dimension need to do critical control

*此產品目錄之規格僅供參考，如有變更無法預先通知，請以業務提供的產品規格書為準。

*更多Sunon 產品資訊請至SUNON網站www.sunon.com瀏覽。

*Specifications are subject to change without notice. Specifications in this catalog are for reference.

*More Sunon products information please visit SUNON website at www.sunon.com.

LED Lighting Thermal Module

SA000-12028



Specifications

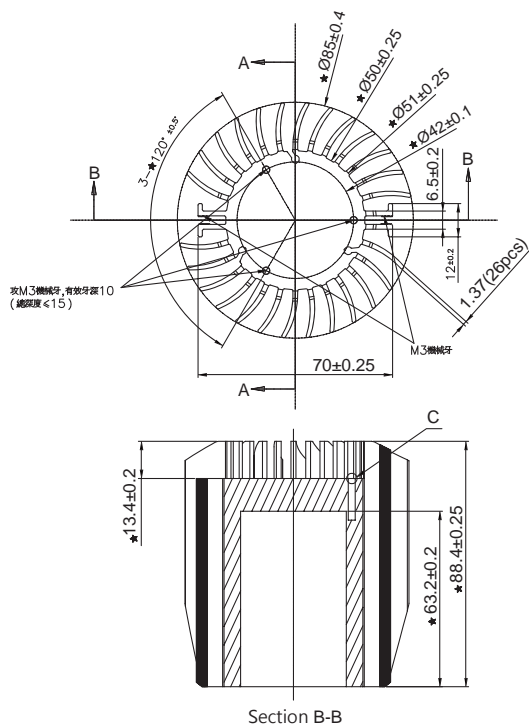
Thermal Module Dimension	D85xH88 mm
HEAT SINK	AL6063-T5
Thermal Resistance	22.9°C/W
Mass	376 g

*熱阻(Thermal Resistance) 數值僅供參考，實際數據會因應用產品不同而改變，若需精確數據請將散熱模組置入應用產品中重新量測。
*該數據是將散熱模組放置於10x10 mm² 面積的熱源上，在開放式無風流干擾環境中於散熱模組底部正中央量測的溫度。

*1 Thermal Resistance is for reference only. Actual thermal performance may vary by different applications. Please test it again by using on different applications.

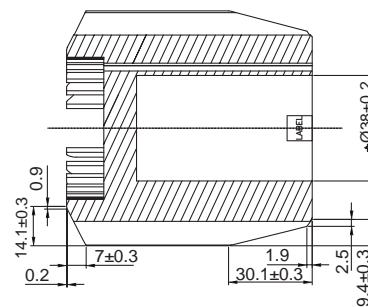
*2 Thermal resistance is measured from the bottom middle of heat sink in free air without airflow obstructions, with 10*10 mm² heat source.

External dimensions(mm)

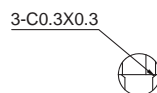


NOTES:

- SINK Finish : Anodized Standard Black
- RoHS compliant
- ★dimension need to do critical control



Section A-A



DETAIL C S=4:1

*此產品目錄之規格僅供參考，如有變更無法預先通知，請以業務提供的產品規格書為準。

*更多Sunon 產品資訊請至SUNON網站www.sunon.com瀏覽。

*Specifications are subject to change without notice. Specifications in this catalog are for reference.

*More Sunon products information please visit SUNON website at www.sunon.com.

LED Lighting Thermal Module

SA000-12045



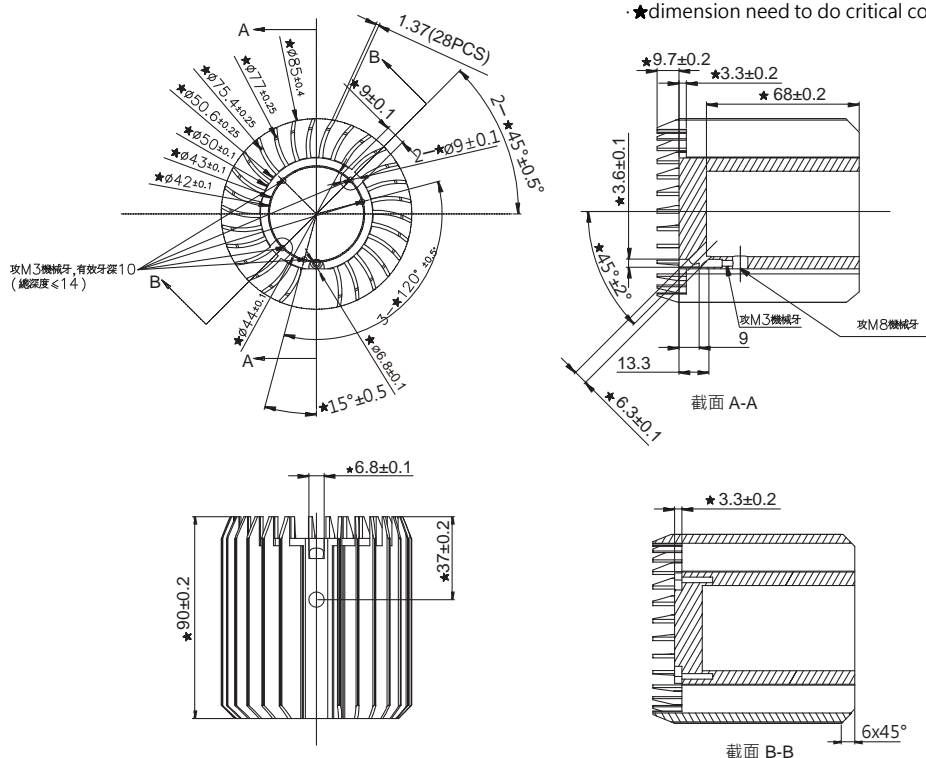
■ Specifications

Thermal Module Dimension	D85xH88 mm
HEAT SINK	AL6063-T5
Thermal Resistance	6°C/W
Mass	376 g

*熱阻(Thermal Resistance) 數值僅供參考，實際數據會因應用產品不同而改變，若需精確數據請將散熱模組置入應用產品中重新量測。

*1 Thermal Resistance is for reference only. Actual thermal performance may vary by different applications. Please test it again by using on different applications.

■ External dimensions(mm)



*此產品目錄之規格僅供參考，如有變更無法預先通知，請以業務提供的產品規格書為準。

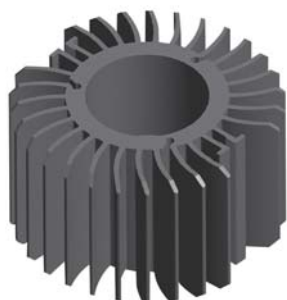
*更多Sunon 產品資訊請至SUNON網站www.sunon.com瀏覽。

*Specifications are subject to change without notice. Specifications in this catalog are for reference.

*More Sunon products information please visit SUNON website at www.sunon.com.

LED Lighting Thermal Module

SA000-12055



■ Specifications

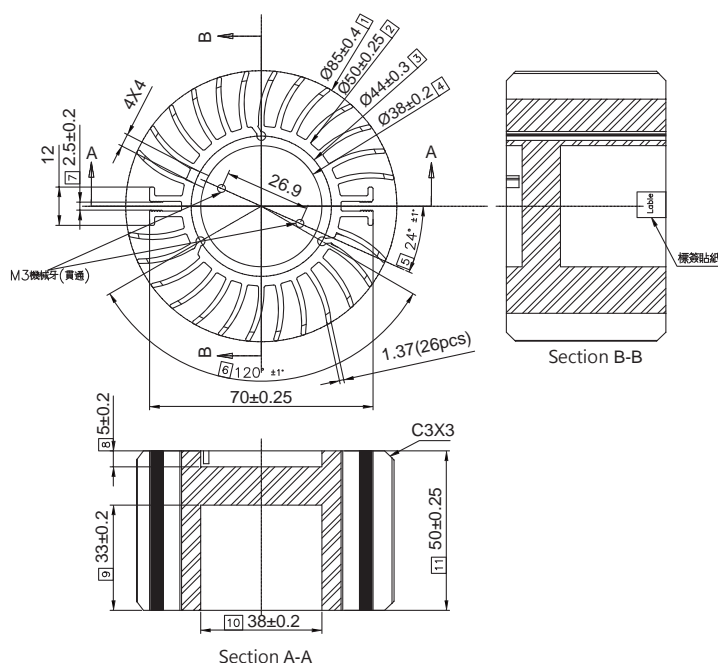
Thermal Module Dimension	D85xH55 mm
HEAT SINK	AL6063-T5
Thermal Resistance	15°C/W
Mass	234 g

*熱阻(Thermal Resistance) 數值僅供參考，實際數據會因應用產品不同而改變，若需精確數據請將散熱模組置入應用產品中重新量測。
*該數據是將散熱模組放置於10x10 mm²面積的熱源上，在開放式無風流干擾環境中於散熱模組底部正中央量測的溫度。

*1 Thermal Resistance is for reference only. Actual thermal performance may vary by different applications. Please test it again by using on different applications.

*2 Thermal resistance is measured from the bottom middle of heat sink in free air without airflow obstructions, with 10*10 mm² heat source.

■ External dimensions(mm)



NOTES:

- SINK Finish : Anodized Standard Black
- RoHS compliant
- ★dimension need to do critical control

*此產品目錄之規格僅供參考，如有變更無法預先通知，請以業務提供的產品規格書為準。

*更多Sunon 產品資訊請至SUNON網站www.sunon.com瀏覽。

*Specifications are subject to change without notice. Specifications in this catalog are for reference.

*More Sunon products information please visit SUNON website at www.sunon.com.

LED Projector Thermal Module

SA000-11012



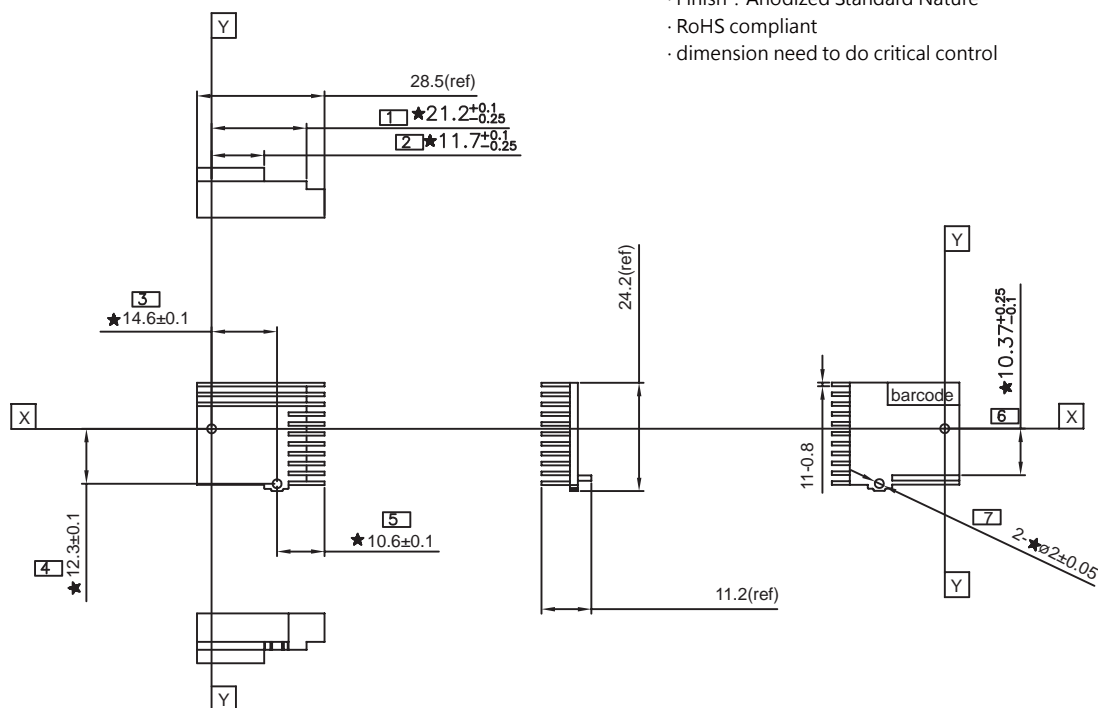
■ Specifications

Thermal Module Dimension	28.5x24.2x11.2 mm
Sink Material	AL6063-T5
Thermal Resistance	6°C/W
Mass	4.6 g

*熱阻(Thermal Resistance) 數值僅供參考· 實際數據會因應用產品不同而改變· 若需精確數據請將散熱模組置入應用產品中重新量測·

*1 Thermal Resistance is for reference only. Actual thermal performance may vary by different applications. Please test it again by using on different applications.

■ External dimensions(mm)



NOTES:

- Finish : Anodized Standard Nature
- RoHS compliant
- dimension need to do critical control

*此產品目錄之規格僅供參考· 如有變更無法預先通知· 請以業務提供的產品規格書為準·

*更多Sunon 產品資訊請至SUNON網站www.sunon.com瀏覽·

*Specifications are subject to change without notice. Specifications in this catalog are for reference.

*More Sunon products information please visit SUNON website at www.sunon.com.

LED Projector Thermal Module

SC000-12001



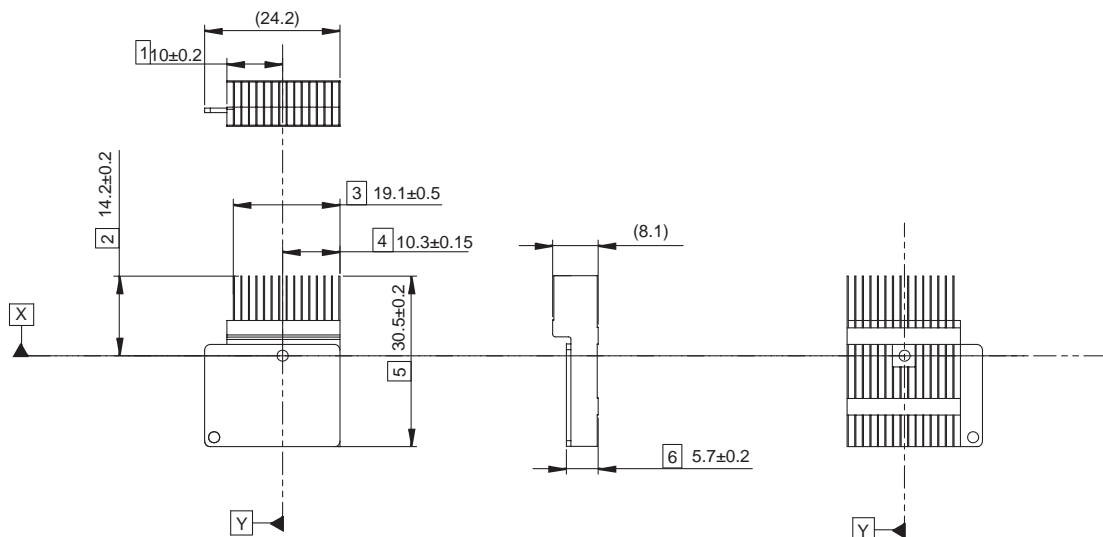
■ Specifications

Thermal Module Dimension	30.5x24.2x8.1 mm
Fin Material	C1100
Block Material	C1100
Thermal Resistance	6°C/W
Mass	8.5 g

*熱阻(Thermal Resistance) 數值僅供參考，實際數據會因應用產品不同而改變，若需精確數據請將散熱模組置入應用產品中重新量測。

*1 Thermal Resistance is for reference only. Actual thermal performance may vary by different applications. Please test it again by using on different applications.

■ External dimensions(mm)



NOTES:

- RoHS compliant
- dimension need to do critical control

*此產品目錄之規格僅供參考，如有變更無法預先通知，請以業務提供的產品規格書為準。

*更多Sunon 產品資訊請至SUNON網站www.sunon.com瀏覽。

*Specifications are subject to change without notice. Specifications in this catalog are for reference.

*More Sunon products information please visit SUNON website at www.sunon.com.

LED Projector Thermal Module

SA000-12031



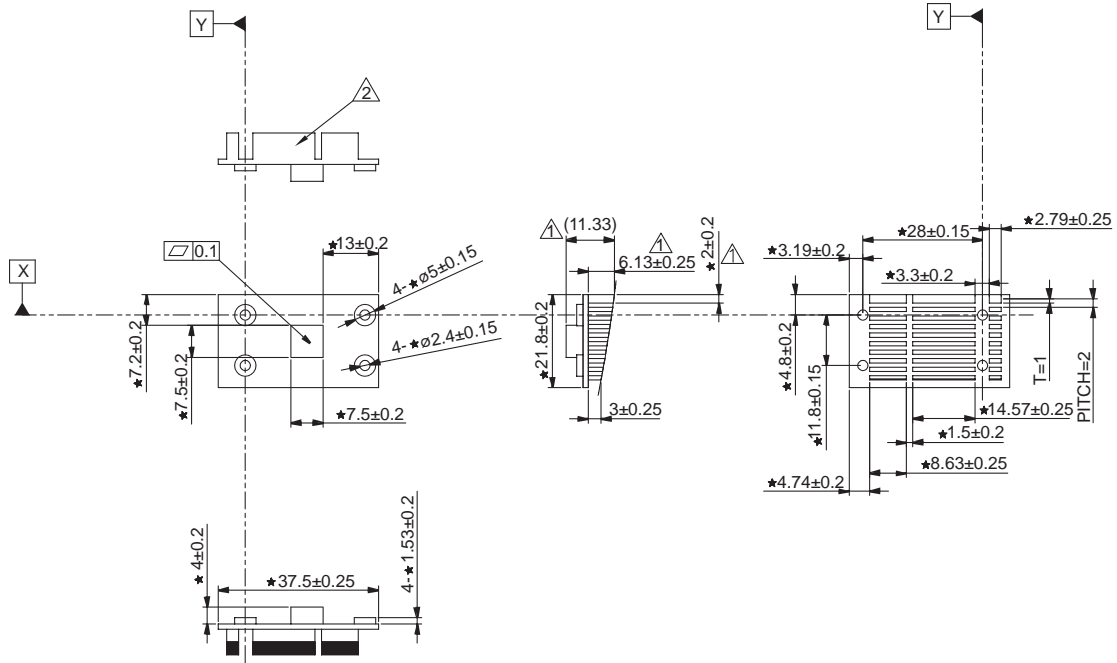
■ Specifications

Thermal Module Dimension	37.5x21.8x8.2 mm
Fin Material	AL6063-T5
Thermal Resistance	6°C/W
Mass	5.3 g

*熱阻(Thermal Resistance) 數值僅供參考·實際數據會因應用產品不同而改變·若需精確數據請將散熱模組置入應用產品中重新量測·

*1 Thermal Resistance is for reference only. Actual thermal performance may vary by different applications. Please test it again by using on different applications.

■ External dimensions(mm)



NOTES:

- RoHS compliant
- dimension need to do critical control

*此產品目錄之規格僅供參考·如有變更無法預先通知·請以業務提供的產品規格書為準·

*更多Sunon 產品資訊請至SUNON網站www.sunon.com瀏覽·

*Specifications are subject to change without notice. Specifications in this catalog are for reference.

*More Sunon products information please visit SUNON website at www.sunon.com.

LED Projector Thermal Module

SA101-12004



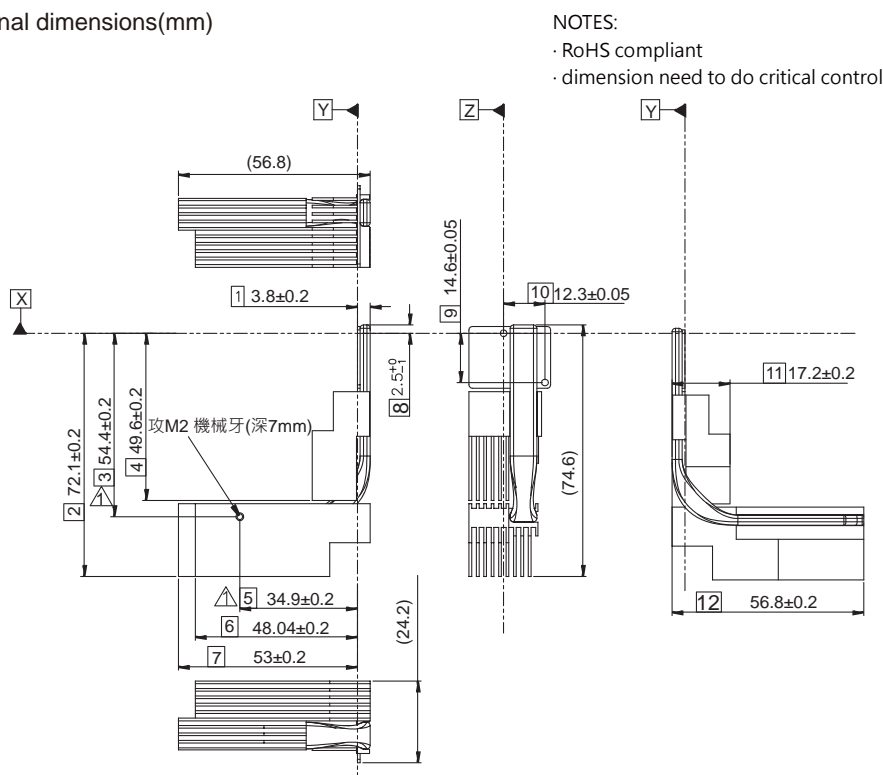
Specifications

Thermal Module Dimension	74.6x56.8x24.2 mm
Sink Material	AL6063-T5
Block Material	C1100
Pipe Material	CU
Thermal Resistance	6°C/W
Mass	44 g

*熱阻(Thermal Resistance) 數值僅供參考·實際數據會因應用產品不同而改變·若需精確數據請將散熱模組置入應用產品中重新量測·

*1 Thermal Resistance is for reference only. Actual thermal performance may vary by different applications. Please test it again by using on different applications.

External dimensions(mm)



NOTES:

- RoHS compliant
- dimension need to do critical control

*此產品目錄之規格僅供參考·如有變更無法預先通知·請以業務提供的產品規格書為準·

*更多Sunon 產品資訊請至SUNON網站www.sunon.com瀏覽·

*Specifications are subject to change without notice. Specifications in this catalog are for reference.

*More Sunon products information please visit SUNON website at www.sunon.com.

Sunonwealth Electric Machine Industry Co., Ltd. (Headquarters)

TEL : +886-7-8135888

E-mail : sunon@email.sunon.com.tw

Sunon Inc. (U.S.A.)

TEL : +1-714-255-0208

URL : www.sunon.com

E-mail : info@sunon.com

Sunon SAS (Europe)

TEL : +33-1-46154515

E-mail : info@sunoneurope.com

Sunon China (Shen Zhen Office)

TEL : +86-755-26880688

E-mail : sunon@email.sunon.com.tw

Sunon Taipei Office (Taipei)

TEL : +886-2-27992383