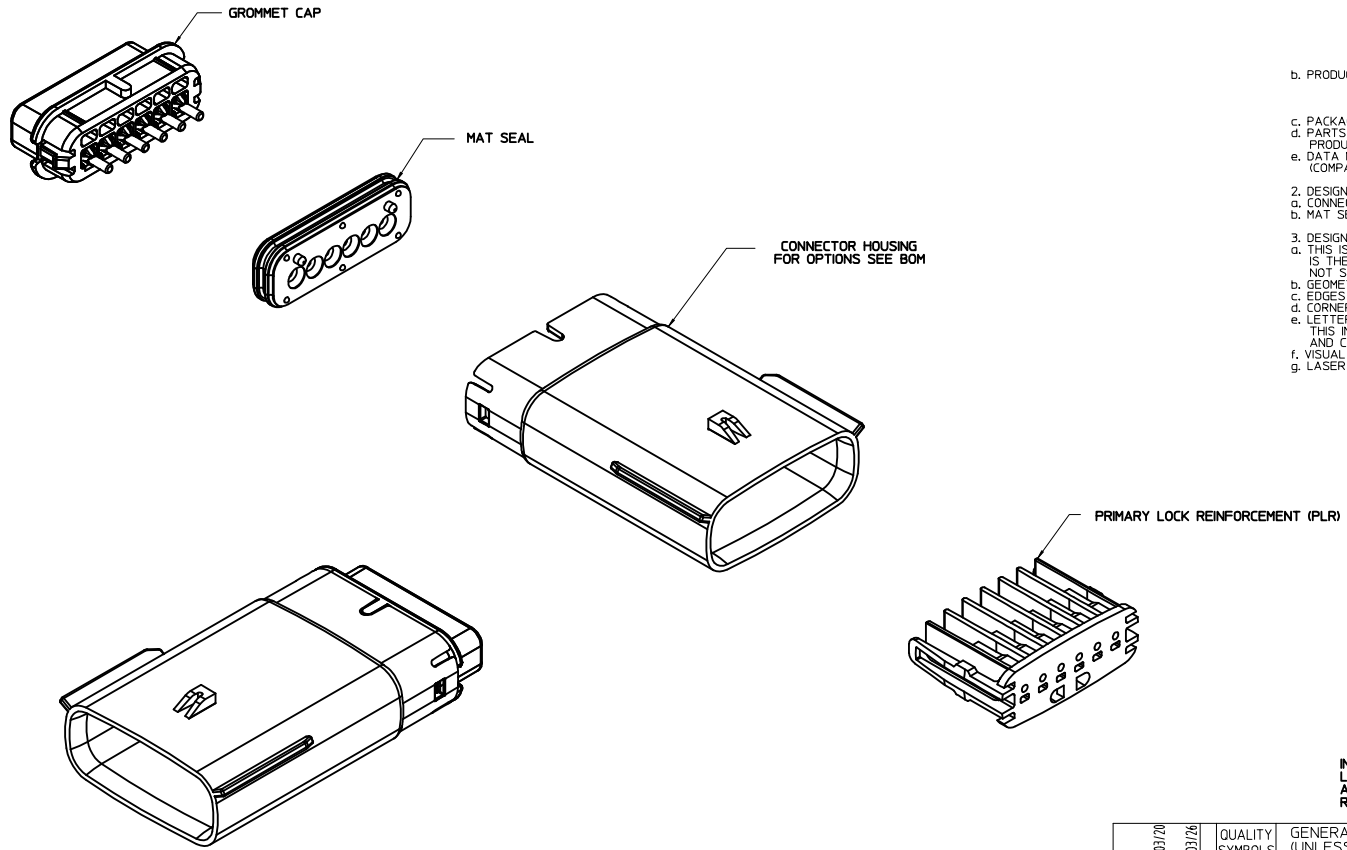


TABLE OF CONTENTS	
SHEET NO.	SHEET DESCRIPTION
1	NOTES
2	KEY CONFIGURATIONS
3	BLADE SEALED ASSEMBLY
4	SYSTEM PACKAGING
5	BOM



NOTES: VALID UNLESS OTHERWISE SPECIFIED

1. GENERAL:
 a. APPLICATION SPECIFICATION SEE: AS-33472-100
 CONTAINS: PRODUCT INTRODUCTION, PRODUCT SUMMARY, CONNECTOR ASSEMBLY, PACKAGING INFORMATION, CONNECTOR MATING, SERVICE INSTRUCTIONS, ELECTRICAL CONTINUITY CHECKING, CRIMPING, AND TROUBLESHOOTING.
 -DESIGNED TO MATE WITH RECEPTACLE SEALED ASSEMBLY SPECIFIED IN MOLEX DRAWING SD-33471-061.
 -FOR 1.5mm BLADE TERMINALS TO BE USED WITH THIS ASSEMBLY SEE MOLEX DRAWING SD-33000-001.
 -SYSTEM TO BE USED WITH WIRE WITHIN DIAMETER RANGE OF 1.2mm TO 2.69mm.
 -ASSEMBLY SHIPPED WITH PLR IN PRE-LOCK POSITION
 -IN THE EVENT THAT THE PLR IS FOUND IN THE SEATED (FINAL LOCK) POSITION, REFER TO MOLEX SPECIFICATION PS-34646-001, AVAILABLE AT www.molex.com -<http://www.molex.com>
 -ASSEMBLY CONFORMS TO SAE/USCAR-2 REV.4 WITH THE FOLLOWING EXCEPTIONS: TERMINAL INSERTION FORCE FOR WIRE DIAMETER ABOVE 2.5mm NOT EXCEEDING 2.69mm SHALL NOT EXCEED 45 NEWTONS.
 b. PRODUCT SPECIFICATION SEE: PS-33471-000
 CONTAINS: PRODUCT INTRODUCTION, PRODUCT SUMMARY, RATINGS (CURRENT, TEMPERATURE, SEALING, AND FLAMMABILITY), AND PRODUCT VALIDATION.
 c. PACKAGING SPECIFICATION PER MOLEX DRAWING: PK-31300-635
 d. PARTS MUST BE IN COMPLIANCE TO MOLEX CHEMICAL SUBSTANCES FOR PRODUCTS AND PACKAGING SPECIFICATION: ES-40000-5016
 e. DATA MUST BE SUBMITTED UNDER THE MOLEX PART NUMBER TO IMDS (COMPANY ID#13255)

2. DESIGN - MATERIALS:
 a. CONNECTOR HOUSING, GROMMET CAP, PLR: SPS/NYLON BLEND 20% GLASS FILLED
 b. MAT SEAL: INHERENTLY LUBRICATED SILICONE

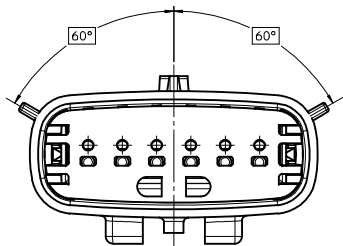
3. DESIGN - GEOMETRY:
 a. THIS IS A 100% CAD GENERATED PART. THE CAD MATHEMATICAL DATA IS THE MASTER FOR THIS PART. FOR DIMENSIONAL OR ANY INFORMATION NOT SHOWN ON THIS DRAWING, ANALYZE THE CAD MODEL.
 b. GEOMETRIC DIMENSIONS AND TOLERANCES PER ASME Y14.5M - 1994
 c. EDGES AND UNDIMENSIONED DETAILS PER ISO13715
 d. CORNERS SHOWN AS SHARP TO BE R 0.2 MAX.
 e. LETTERING SHALL BE 0.15 MAX RAISED IN 0.25 MAX RECESS PAD. THIS INCLUDES RECYCLING CODE, CAVITY ID, VENDOR IDENTIFICATION, AND CUSTOMER MATERIAL NUMBER.
 f. VISUAL DEFECTS SHALL MEET COSMETIC STANDARD PS-45499-002 (Class B)
 g. LASER MARKING: TBD

INSPECTION NUMBER LOG
 LAST NUMBER USED: 8
 ADDED:
 REMOVED:

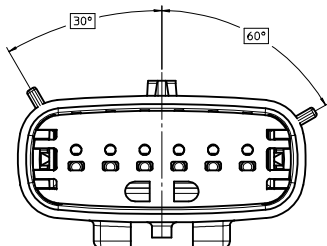
REV	DESCRIPTION
S	UPDATED GROMMET CAP
R1	UPDATED DIMENSIONS TO MATCH MODEL
R	COLOR REPLACEMENT FOR KEY C AND D PER USCAR STANDARD
D	REDRAWN

REVISED E.C. NO: UAU2013-1487 DRAWN/PROFIT: 2013/03/26 CHKD/MDLCK APPR:VKOSHY	DIMENSION STYLE MM ONLY	SCALE 3:1	DESIGN UNITS METRIC	THIRD ANGLE PROJECTION 	
	QUALITY SYMBOLS ∇=0 ∇=0 ∇=0	GENERAL TOLERANCES (UNLESS SPECIFIED): mm INCH 4 PLACES ± --- ± --- 3 PLACES ± 0.10 ± --- 2 PLACES ± 0.3 ± --- 0 PLACE ± ±	DRAWN BY DATE DMARCOUX 06-14-02 CHECKED BY DATE DGRIFFTH 06-14-02 APPROVED BY DATE VKOSHY 2010/11/04	TITLE MX150 1X6 BLADE SEALED ASSEMBLY MAT SEAL	
	ANGULAR ± 3 ° DRAFT WHERE APPLICABLE MUST REMAIN WITHIN DIMENSIONS	MATERIAL NO. SEE BOM	DOCUMENT NO. SD-33481-061	SHEET NO. 1 OF 5	
	SIZE THIS DRAWING CONTAINS INFORMATION THAT IS PROPRIETARY TO MOLEX INCORPORATED AND SHOULD NOT BE USED WITHOUT WRITTEN PERMISSION				

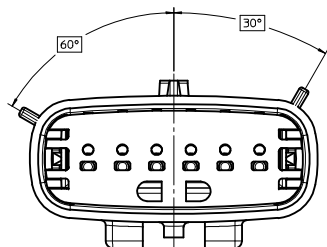
KEY CONFIGURATIONS



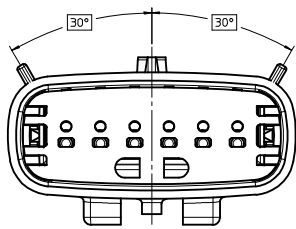
KEY A



KEY B



KEY C

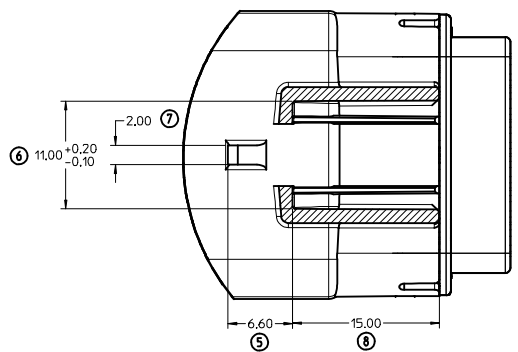
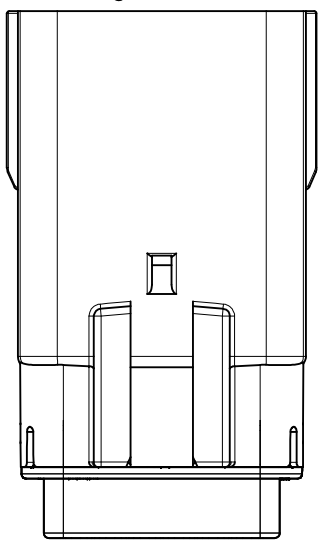
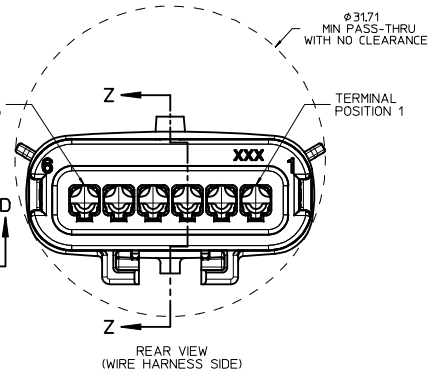
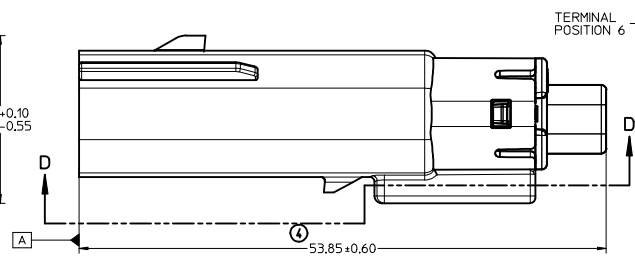
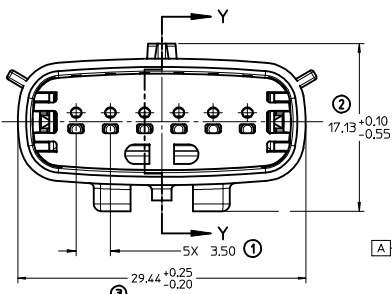
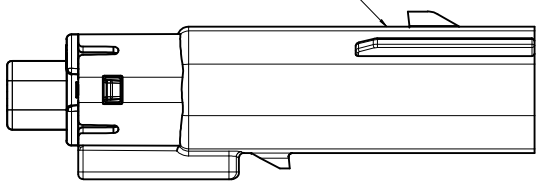


KEY D

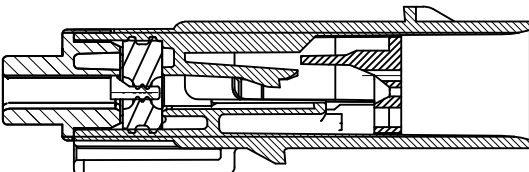
REVISED IEC NO. UAU2013-1487 DRAWN: PROFFITT 2013/03/20 CHECKED: CHYKHOLOK 2013/03/21 APPR: VKOSHY 2013/03/26	QUALITY SYMBOLS	GENERAL TOLERANCES (UNLESS SPECIFIED)	DIMENSION STYLE	SCALE	DESIGN UNITS	THIRD ANGLE PROJECTION
	▽=0	mm INCH	MM ONLY	4:1	METRIC	☉
	▽=0	4 PLACES ± --- ± ---	DRAWN BY DATE	TITLE		
	▽=0	3 PLACES ± --- ± ---	DMARCOUX 06-14-02	MX150 1X6 BLADE SEALED ASSEMBLY MAT SEAL		
	2 PLACES ± 0.10 ± ---	CHECKED BY DATE	MATERIAL NO.			SHEET NO.
	1 PLACE ± 0.3 ± ---	DGRIFFTH 06-14-02	SEE BOM			2 OF 5
	0 PLACE ± ±	APPROVED BY DATE	DOCUMENT NO.			
		VKOSHY 2010/11/04	SD-33481-061			
		ANGULAR ± 3 °	THIS DRAWING CONTAINS INFORMATION THAT IS PROPRIETARY TO MOLEX INCORPORATED AND SHOULD NOT BE USED WITHOUT WRITTEN PERMISSION			
		DRAFT WHERE APPLICABLE MUST REMAIN WITHIN DIMENSIONS				

BLADE SEALED ASSEMBLY

LASER MARKING THIS SURFACE
SEE NOTE 3g.

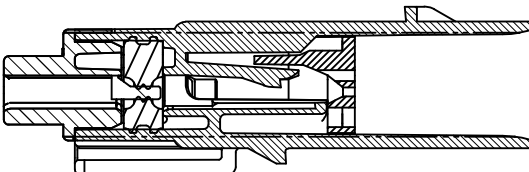


SECTION D-D



PRIMARY LOCK REINFORCEMENT (PLR) SHOWN
IN PRE-STAGED POSITION

SECTION Z-Z



PRIMARY LOCK REINFORCEMENT (PLR) SHOWN
IN FINAL-LOCK POSITION

SECTION Y-Y

REVISED IEC NO. UAU2013-1487 DRAWN BY: CHYKHOLOK CHECKED BY: APPR:VKOSHY 2013/03/20 2013/03/21 2013/03/26	QUALITY SYMBOLS	GENERAL TOLERANCES (UNLESS SPECIFIED)	DIMENSION STYLE	SCALE	DESIGN UNITS	THIRD ANGLE PROJECTION
	▽=0	mm INCH	MM ONLY	4:1	METRIC	☉
	▽=0	4 PLACES ± --- ± ---	DRAWN BY: DMARCOUX DATE: 06-14-02			
	▽=0	3 PLACES ± --- ± ---	CHECKED BY: DGRIFFTH DATE: 06-14-02			
	2 PLACES ± 0.10 ± ---	APPROVED BY: VKOSHY DATE: 2010/11/04				
	1 PLACE ± 0.3 ± ---					
	0 PLACE ± ±					
		ANGULAR ± 3 °				
		DRAFT WHERE APPLICABLE MUST REMAIN WITHIN DIMENSIONS				
			MATERIAL NO. SEE BOM		DOCUMENT NO. SD-33481-061	SHEET NO. 3 OF 5

MX150 1X6 BLADE SEALED ASSEMBLY MAT SEAL

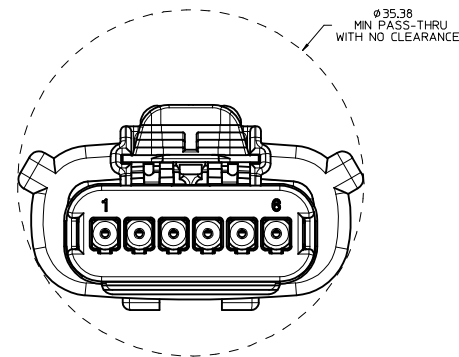
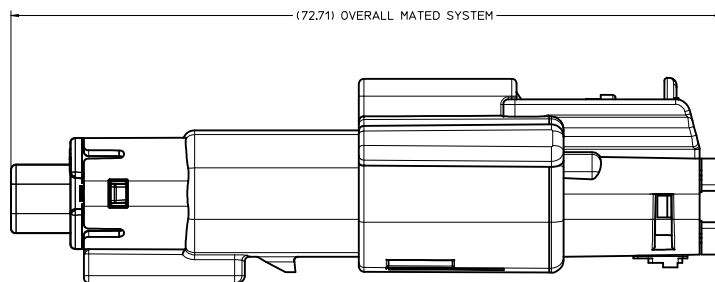
molex

SEE BOM

SD-33481-061

THIS DRAWING CONTAINS INFORMATION THAT IS PROPRIETARY TO MOLEX INCORPORATED AND SHOULD NOT BE USED WITHOUT WRITTEN PERMISSION

SYSTEM PACKAGING



REVISED IEC NO. UAU2013-1487 DRAWN: PROFFITT 2013/03/20 CHECKED: CHYKHOLICK 2013/03/21 APPR: VKOSHY 2013/03/26	QUALITY SYMBOLS	GENERAL TOLERANCES (UNLESS SPECIFIED)	DIMENSION STYLE	SCALE	DESIGN UNITS	THIRD ANGLE PROJECTION	
	∇=0 ∇=0 ∇=0	mm INCH 4 PLACES ± --- ± --- 3 PLACES ± --- ± --- 2 PLACES ± 0.10 ± --- 1 PLACE ± 0.3 ± --- 0 PLACE ± ±	MM ONLY	4:1	METRIC	DRAWN BY DATE DMARCOUX 06-14-02 CHECKED BY DATE DGRIFITH 06-14-02 APPROVED BY DATE VKOSHY 2010/11/04	MX150 1X6 BLADE SEALED ASSEMBLY MAT SEAL molex
	ANGULAR ± 3 ° DRAFT WHERE APPLICABLE MUST REMAIN WITHIN DIMENSIONS	MATERIAL NO. SEE BOM	DOCUMENT NO. SD-33481-061	SHEET NO. 4 OF 5			
	THIS DRAWING CONTAINS INFORMATION THAT IS PROPRIETARY TO MOLEX INCORPORATED AND SHOULD NOT BE USED WITHOUT WRITTEN PERMISSION						

BOM SHEET 1

ASSEMBLY PART NUMBER	COLOR	KEYING OPTION	CAVITY TYPE & STATUS (X = PLUGGED)						STATUS	COMMENTS
			1	2	3	4	5	6		
33481-0601	BLACK	A							SALEABLE	
33481-0602	LT.GRAY	B								
33481-0603	BROWN	C								NOT RECOMMENDED, SEE P/N 33481-0618
33481-0604	GREEN	D								NOT RECOMMENDED, SEE P/N 33481-0619
33481-0605	YELLOW	A							SALEABLE	
33481-0606	BLACK	A						X	SALEABLE	
33481-0607	LT.GRAY	B						X		
33481-0608	BROWN	C						X		
33481-0609	GREEN	D						X		
33481-0610	YELLOW	A						X	SALEABLE	
33481-0611	BLACK	A	X					X	SALEABLE	
33481-0612	LT.GRAY	B	X					X		
33481-0613	BROWN	C	X					X		
33481-0614	GREEN	D	X					X		
33481-0615	YELLOW	A	X					X	SALEABLE	
33481-0616	BLACK	A	X	X	X	X	X	X	SALEABLE	
33481-0617	BLACK	A						X	SALEABLE	
33481-0618	DK.GRAY	C								
33481-0619	ST.GRAY	D								

IR IR

IR IR

REVISED EEC NO: UAU2013-1487 2013/03/20 DRAWN: PROFFITT 2013/03/21 CHK: MOJIB 2013/03/21 APPR: VKOSHY 2013/03/26 DESCRIPTION	QUALITY SYMBOLS	GENERAL TOLERANCES (UNLESS SPECIFIED)	DIMENSION STYLE	SCALE	DESIGN UNITS	THIRD ANGLE PROJECTION	
	▽=0	mm INCH	MM ONLY		METRIC		
	▽=0	4 PLACES ± --- + ---	DRAWN BY: DMARCOUX DATE: 06-14-02	TITLE: MX150 1X6 BLADE SEALED ASSEMBLY MAT SEAL			
	▽=0	3 PLACES ± --- + ---	CHECKED BY: DGRIFITH DATE: 06-14-02	APPROVED BY: VKOSHY DATE: 2010/11/04			
	2 PLACES ± 0.10 + ---	MATERIAL NO. SEE BOM					
	1 PLACE ± 0.3 + ---	DOCUMENT NO. SD-33481-061					
	0 PLACE ± +	SHEET NO. 5 OF 5					
	ANGULAR ± 3 °	THIS DRAWING CONTAINS INFORMATION THAT IS PROPRIETARY TO MOLEX INCORPORATED AND SHOULD NOT BE USED WITHOUT WRITTEN PERMISSION					
	DRAFT WHERE APPLICABLE MUST REMAIN WITHIN DIMENSIONS						