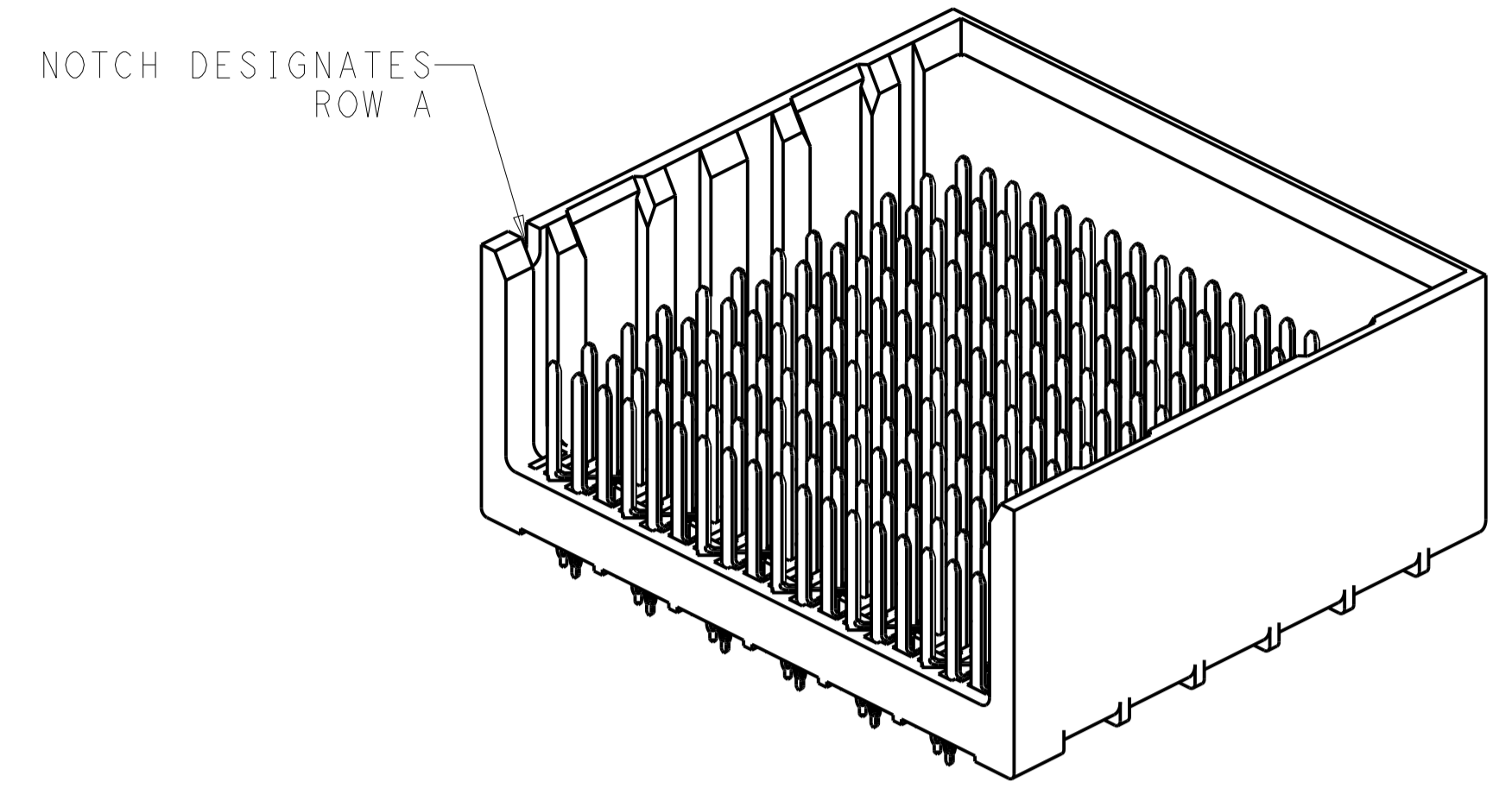
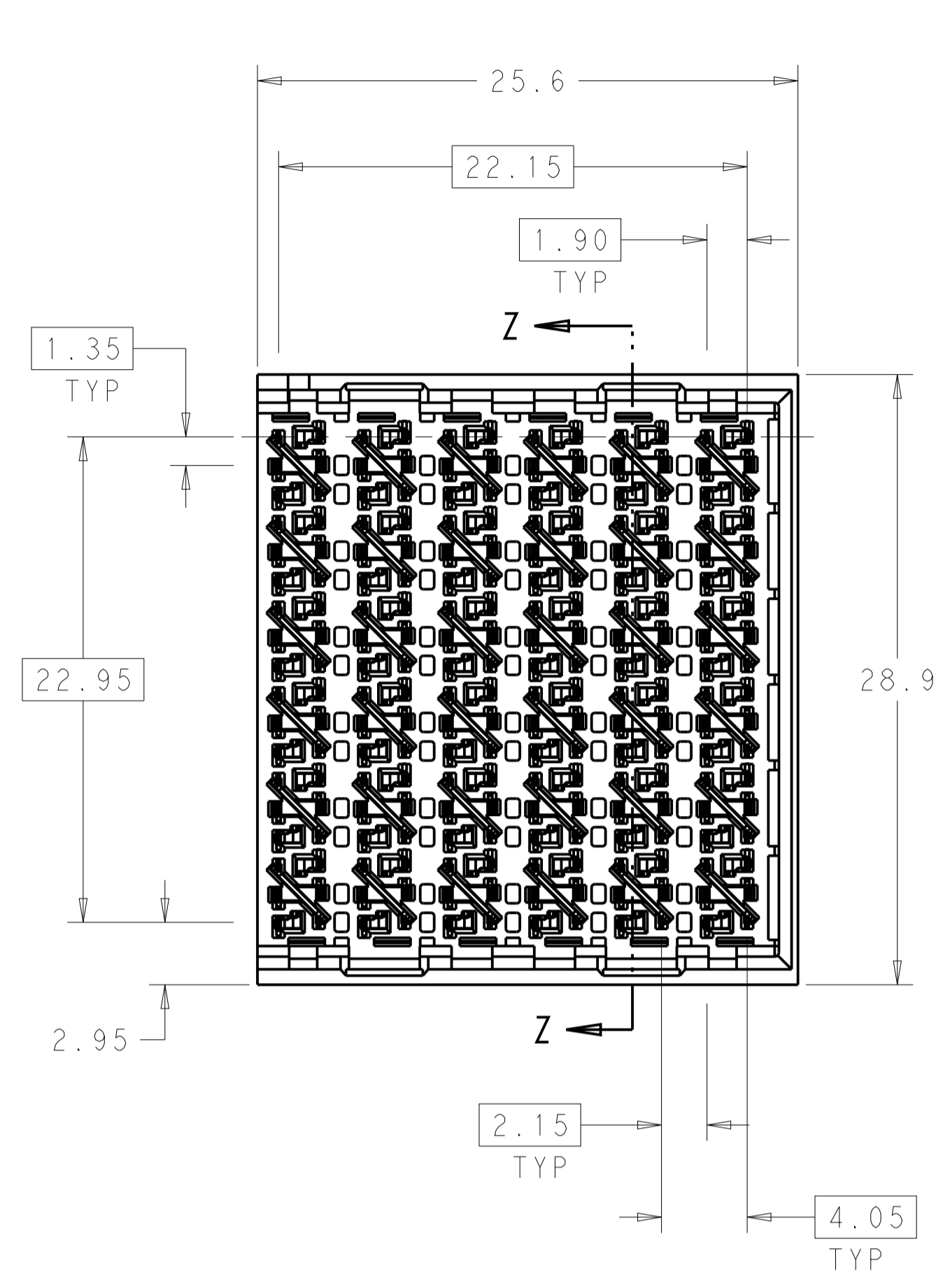
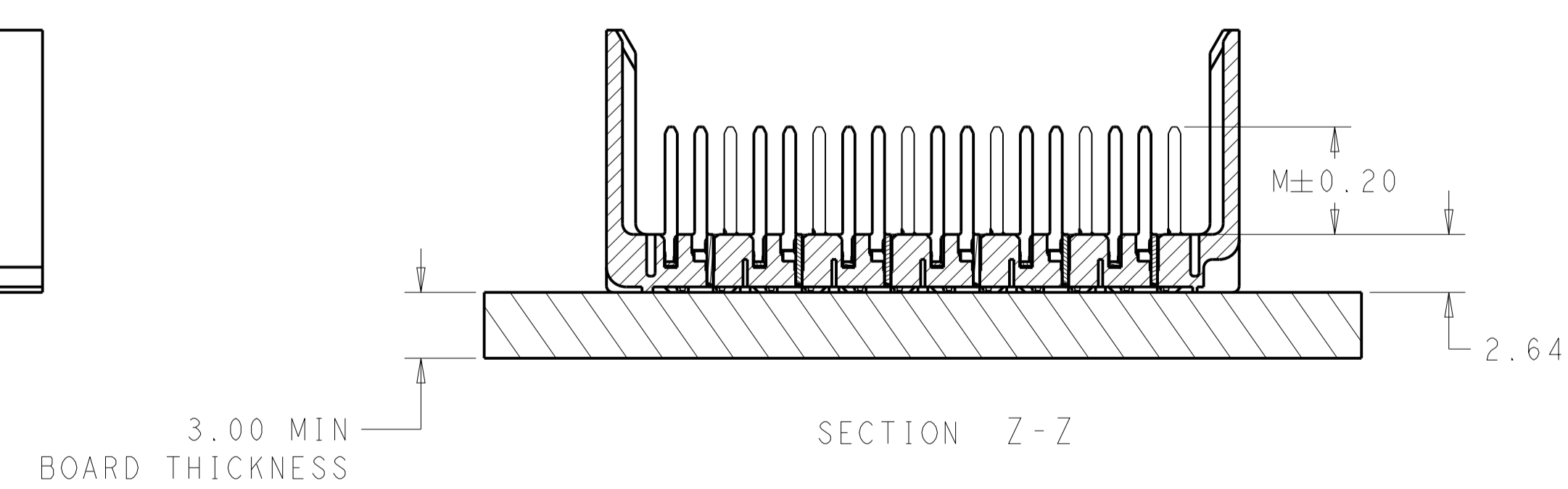
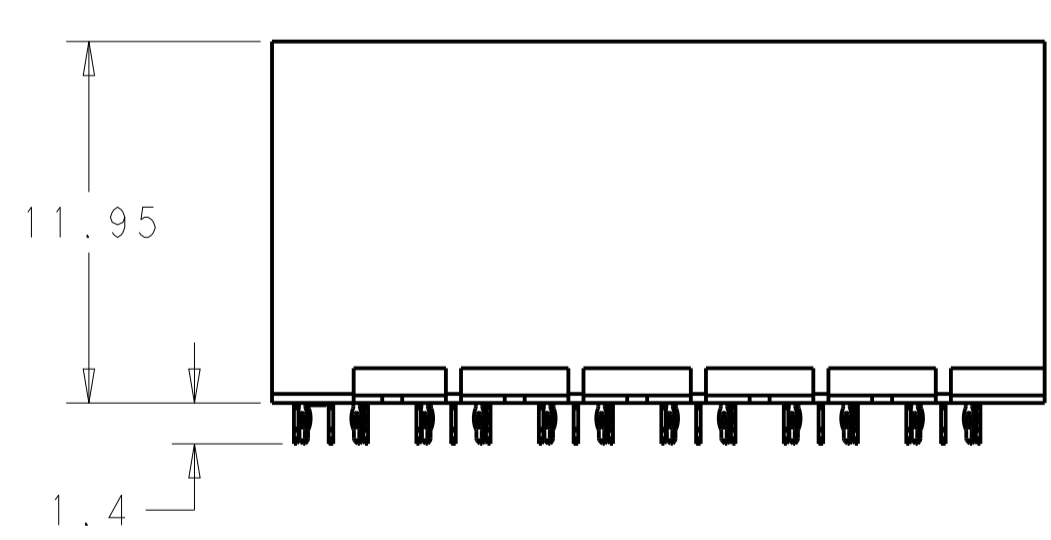
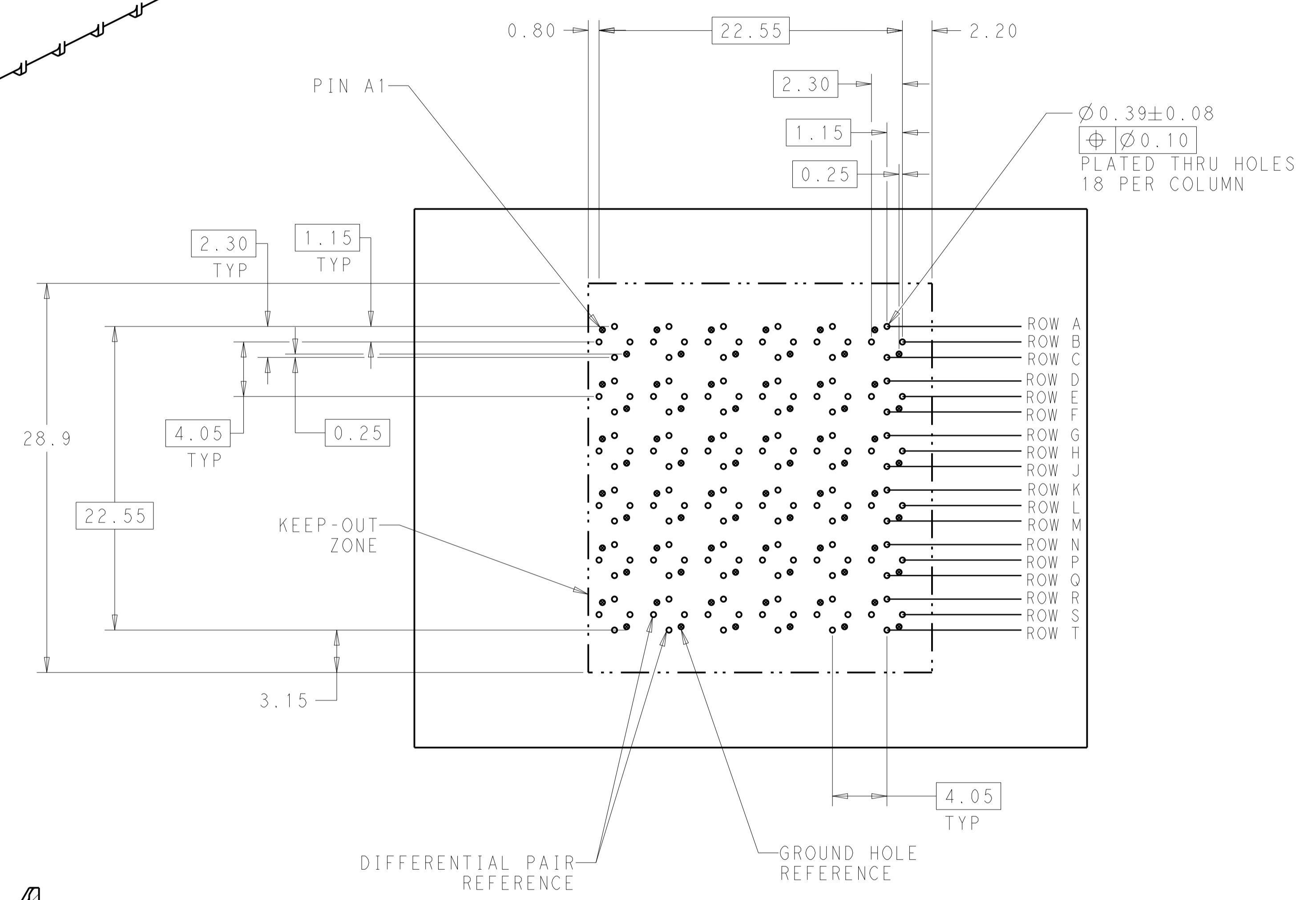


REVISIONS				
P.	LTN.	DESCRIPTION	DATE	APVD.
C		REVISED PER ECO-14-013273	04NOV2014	AP DD



⚠ MATERIAL:
HOUSING: LCP GLASS FILLED UL94V-0
TERMINALS: HIGH PERFORMANCE COPPER ALLOY

⚠ FINISH:
30μ" MIN GOLD IN CONTACT AREA
SELECTIVE TIN ON PCB TAILS.
NICKEL OVERALL.



LEFT GUIDED
BACKPLANE HOLE PATTERN
(CONNECTOR SIDE)
SCALE 4:1

⚠	5.5	2143272-2
⚠	4.9	2143272-1
FINISH	DIM M	PART NUMBER

THIS DRAWING IS A CONTROLLED DOCUMENT.		OWN J. K. SHOBER 29DEC2010	TE Connectivity NAME IMPACT, 6 PAIR, 12 COLUMN, UNGUIDED RIGHT END WALL ASSEMBLY, ORTHOGONAL, 0.39 PTH SIZE CAGE CODE DRAWING NO RESTRICTED TO A100779C=2143272 SCALE 4:1 SHEET 1 OF 1 REV C
DIMENSIONS: mm		CHK J. EARY 29DEC2010	
TOLERANCES UNLESS OTHERWISE SPECIFIED:		APVD J. EARY 29DEC2010	
0 PLC ± 1 PLC ±0.25 2 PLC ±0.13 3 PLC ± 4 PLC ± ANGLES ±0		PRODUCT SPEC	
MATERIAL	SEE TABLE	WEIGHT	CUSTOMER DRAWING