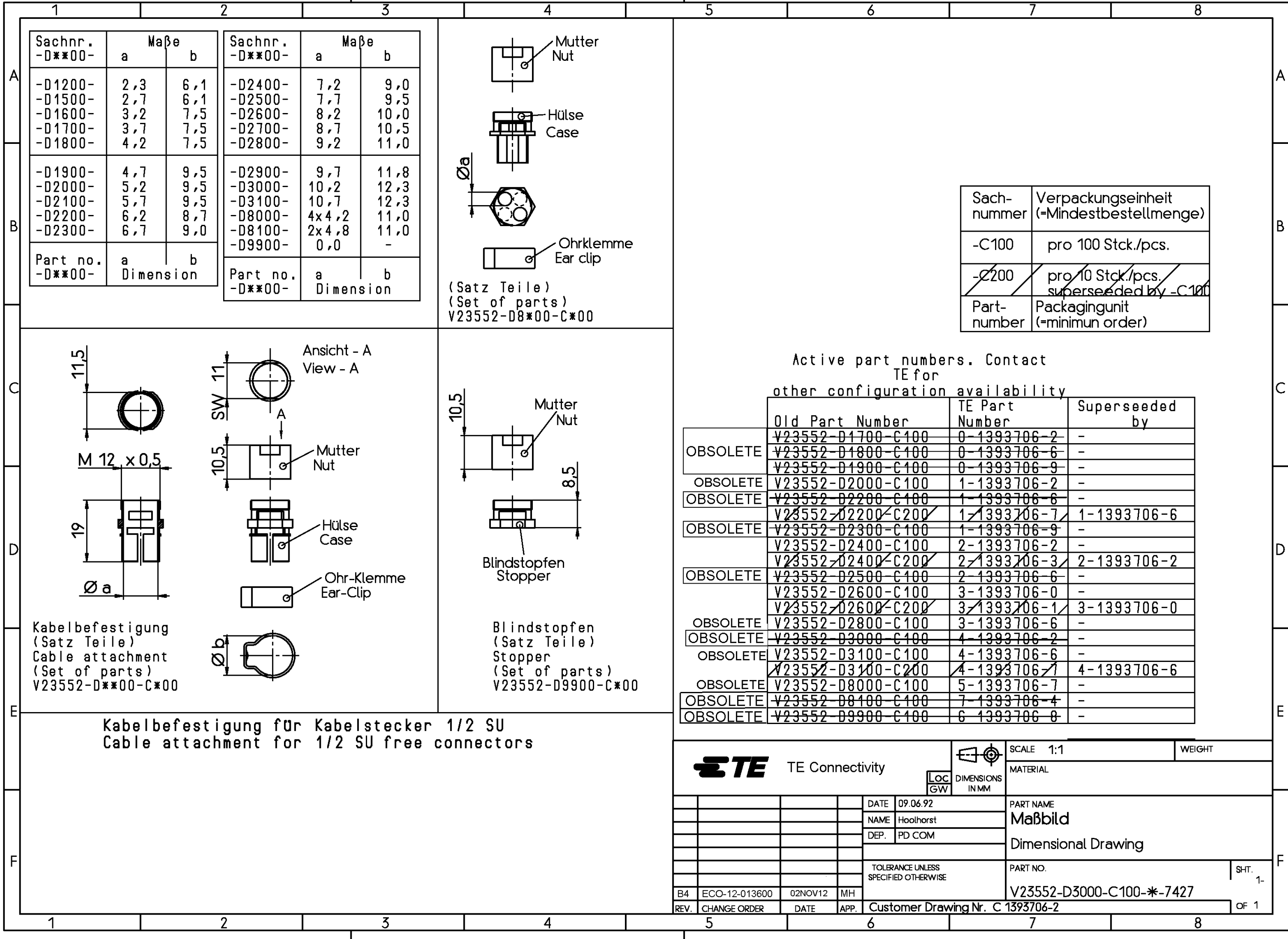
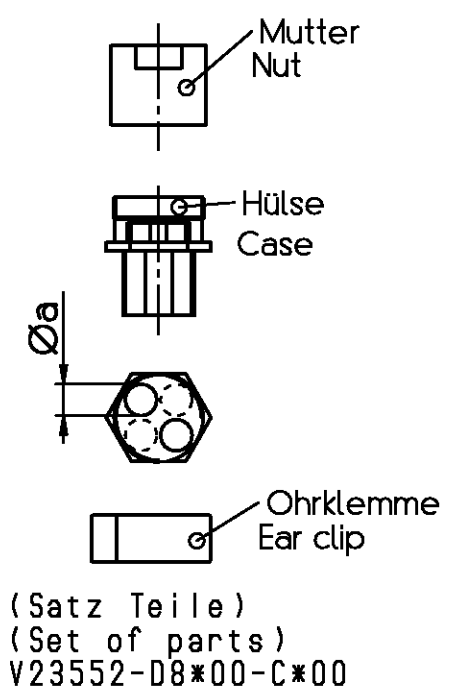


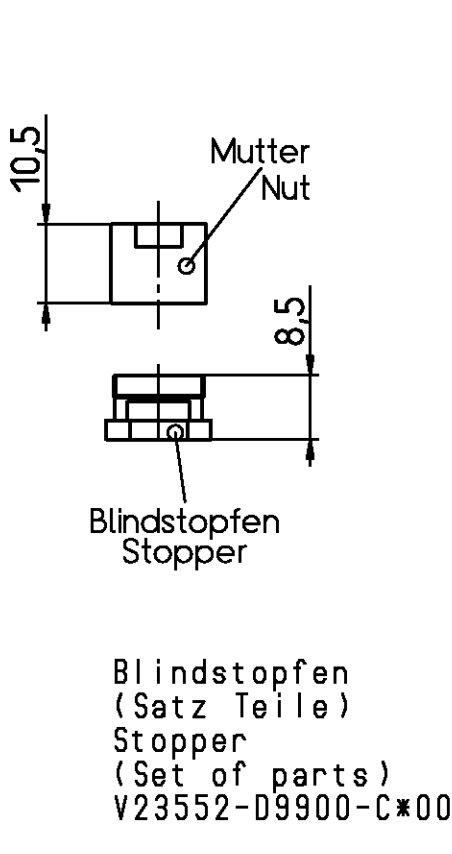
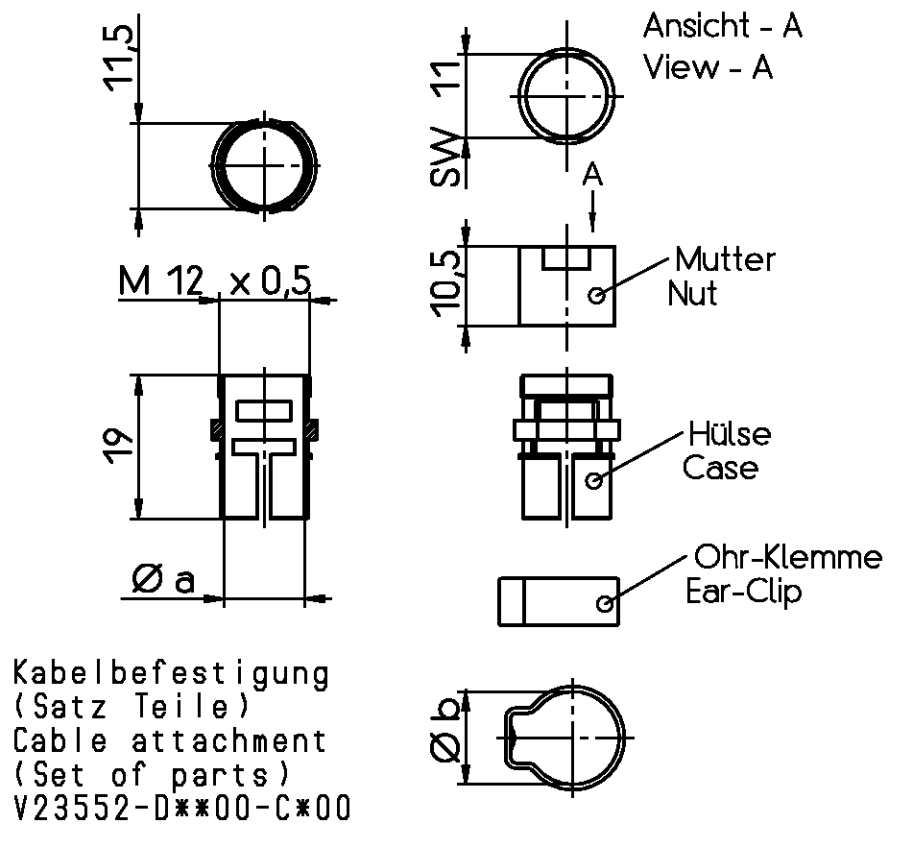
THIS DRAWING IS A CONTROLLED DOCUMENT.



Sachnr. -D**00-	Maße		Sachnr. -D**00-	Maße	
	a	b		a	b
-D1200-	2,3	6,1	-D2400-	7,2	9,0
-D1500-	2,7	6,1	-D2500-	7,7	9,5
-D1600-	3,2	7,5	-D2600-	8,2	10,0
-D1700-	3,7	7,5	-D2700-	8,7	10,5
-D1800-	4,2	7,5	-D2800-	9,2	11,0
-D1900-	4,7	9,5	-D2900-	9,7	11,8
-D2000-	5,2	9,5	-D3000-	10,2	12,3
-D2100-	5,7	9,5	-D3100-	10,7	12,3
-D2200-	6,2	8,7	-D8000-	4x4,2	11,0
-D2300-	6,7	9,0	-D8100-	2x4,8	11,0
-D9900-			-D9900-	0,0	-
Part no. -D**00-	a	b	Part no. -D**00-	a	b
	Dimension			Dimension	



Sachnummer	Verpackungseinheit (=Mindestbestellmenge)
-C100	pro 100 Stck./pcs.
-C200	pro 10 Stck./pcs. superseceded by -C100
Part-number	Packagingunit (=minimun order)



Kabelbefestigung für Kabelstecker 1/2 SU
Cable attachment for 1/2 SU free connectors

Active part numbers. Contact TE for other configuration availability

	Old Part Number	TE Part Number	Superseceded by
OBSOLETE	V23552-D1700-C100	0-1393706-2	-
OBSOLETE	V23552-D1800-C100	0-1393706-6	-
OBSOLETE	V23552-D1900-C100	0-1393706-9	-
OBSOLETE	V23552-D2000-C100	1-1393706-2	-
OBSOLETE	V23552-D2200-C100	1-1393706-6	-
OBSOLETE	V23552-D2200-C200	1-1393706-7	1-1393706-6
OBSOLETE	V23552-D2300-C100	1-1393706-9	-
	V23552-D2400-C100	2-1393706-2	-
OBSOLETE	V23552-D2400-C200	2-1393706-3	2-1393706-2
OBSOLETE	V23552-D2500-C100	2-1393706-6	-
	V23552-D2600-C100	3-1393706-0	-
	V23552-D2600-C200	3-1393706-1	3-1393706-0
OBSOLETE	V23552-D2800-C100	3-1393706-6	-
OBSOLETE	V23552-D3000-C100	4-1393706-2	-
OBSOLETE	V23552-D3100-C100	4-1393706-6	-
OBSOLETE	V23552-D3100-C200	4-1393706-7	4-1393706-6
OBSOLETE	V23552-D8000-C100	5-1393706-7	-
OBSOLETE	V23552-D8100-C100	7-1393706-4	-
OBSOLETE	V23552-D9900-C100	6-1393706-8	-

TE TE Connectivity

SCALE 1:1 WEIGHT

MATERIAL

LOC DIMENSIONS IN MM

DATE 09.06.92

NAME Hoolhorst

DEP. PD COM

PART NAME **Maßbild**

Dimensional Drawing

TOLERANCE UNLESS SPECIFIED OTHERWISE

PART NO. V23552-D3000-C100-*7427

SHT. 1- OF 1

REV. CHANGE ORDER DATE APP. Customer Drawing Nr. C 1393706-2