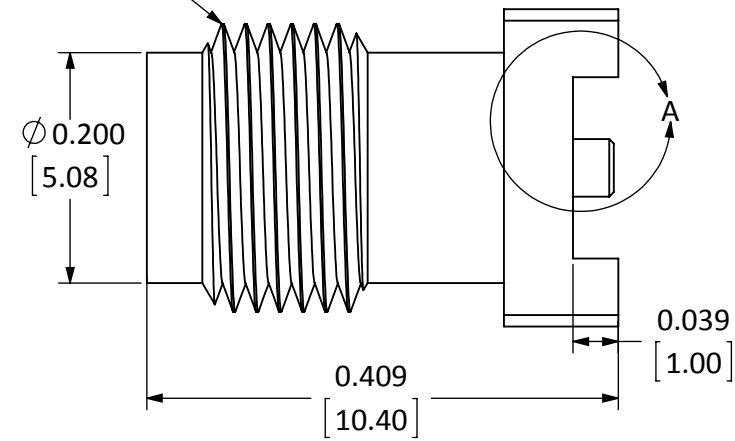


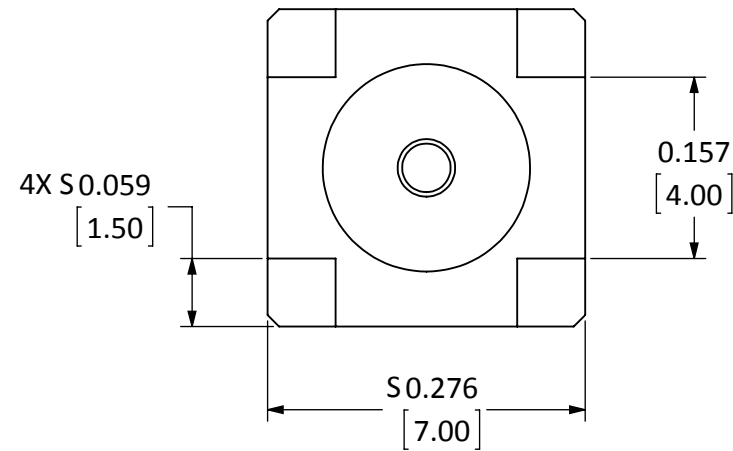
DESCRIPTION	MATERIAL	FINISH
BODY	BRASS	NICKEL
SOCKET	Be Cu	GOLD
INSULATION	PTFE	N/A

REVISIONS			
REV	DESCRIPTION	DATE	APPV
B	RECOMMENDED FOOTPRINT REVISED; GOLD & NICKEL FINISH OPTIONS	9/25/09	CJ
C	ADDED NEW TITLE BLOCK; UPDATED RECOMMENDED FOOTPRINT	13-JUL-12	BPM
D	REMOVED GOLD FINISH OPTION, REMOVED "-N" FROM PART NUMBER	8-NOV-13	SAH
E	ADDED CONTACT TO STANDOFF DIMENSION; UPDATED NOTE 3	3-MAY-16	SAH

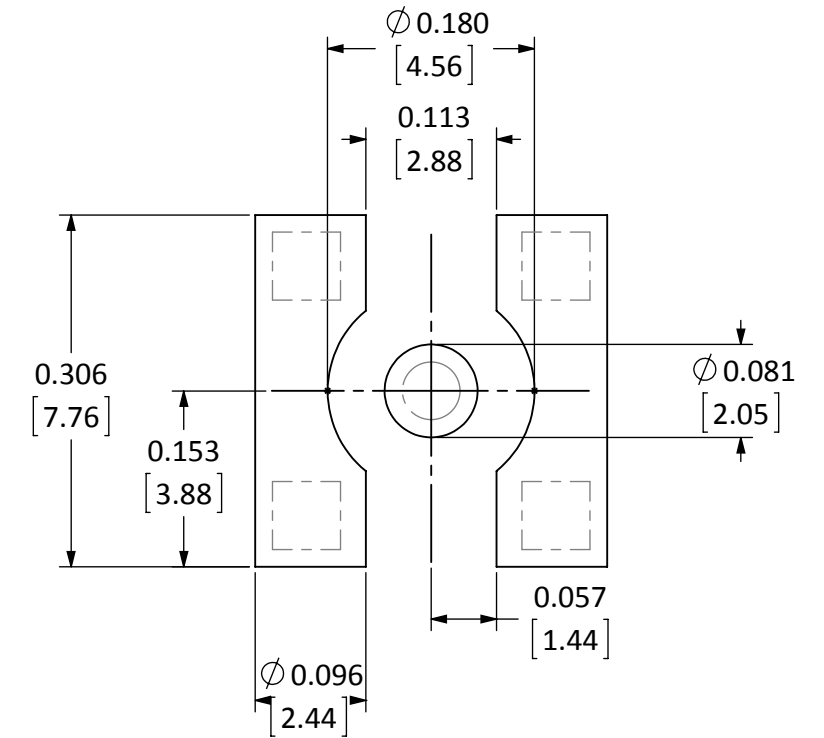
1/4-36UNS-2A
THREADS



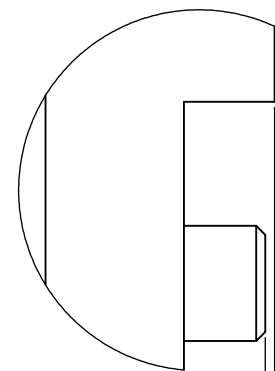
SIDE VIEW



BACK VIEW



RECOMMENDED FOOTPRINT



DETAIL A
SCALE 12 : 1

0.004
0.000 CENTER CONTACT TO MOUNTING PLANE STAND-OFF
[0.10
[0.00]

NOTES: (UNLESS OTHERWISE SPECIFIED)

1. ALL DIMENSIONS ARE IN INCHES [mm].
2. DIMENSIONS APPLY AFTER FINISHING.
3. MANUFACTURE TO BE COMPLIANT WITH EU RoHS DIRECTIVE, USE MATERIALS THAT DO NOT CONTAIN REACH SUBSTANCES OF VERY HIGH CONCERN >1000ppm, AND USE DRC CONFLICT-FREE SOURCED MATERIALS.
4. SAFETY BREAK ALL SHARP CORNERS AND EDGES .02 MAXIMUM.

WARNING: THIS DRAWING CONTAINS PROPRIETARY INFORMATION THAT IS THE SOLE PROPERTY OF LINX TECHNOLOGIES, AND SHALL BE TREATED AS SUCH. NO DISCLOSURE OR REPRODUCTION OF THIS DOCUMENT IS PERMITTED, IN WHOLE OR IN PART, WITHOUT THE EXPRESS WRITTEN PERMISSION OF LINX TECHNOLOGIES OR ITS DESIGNATED AGENTS.

Linx

159 ORT LANE
MERLIN, OR 97532

MATERIAL:	INTERPRET DIMENSIONS AND TOLERANCES PER ASME Y14.5.	PROJECTION:
FINISH:	SURFACE FINISH: $\sqrt{}$ ANGLES: $\pm 1^\circ$	
	TOLERANCES: .X $\pm .1$.XX $\pm .01$.XXX $\pm .005$	
DRAWN: CJ	DT: 9/25/09	
ENGR: S.HOGAN	DT: 8-NOV-13	

TITLE:
**SMA FEMALE PCB MOUNT
SURFACE MOUNT**

SIZE	DWG. NO.	REV
B	CONSMA001-SMD	E
SCALE: 6:1	DO NOT SCALE DRAWING	SHEET 1 OF 1