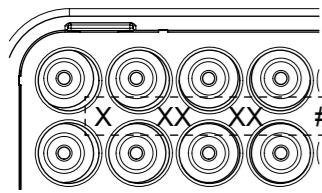
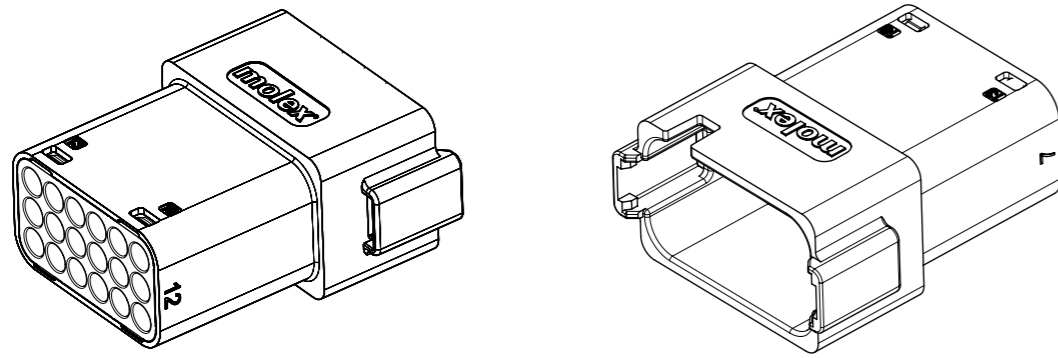


NOTES
 1. SEE SHEETS 2 TO 7 FOR UNSPECIFIED NOTES, DIMENSIONS AND PART NUMBERS

THIS DRAWING CONTAINS INFORMATION THAT IS PROPRIETARY TO MOLEX ELECTRONIC TECHNOLOGIES, LLC AND SHOULD NOT BE USED WITHOUT WRITTEN PERMISSION

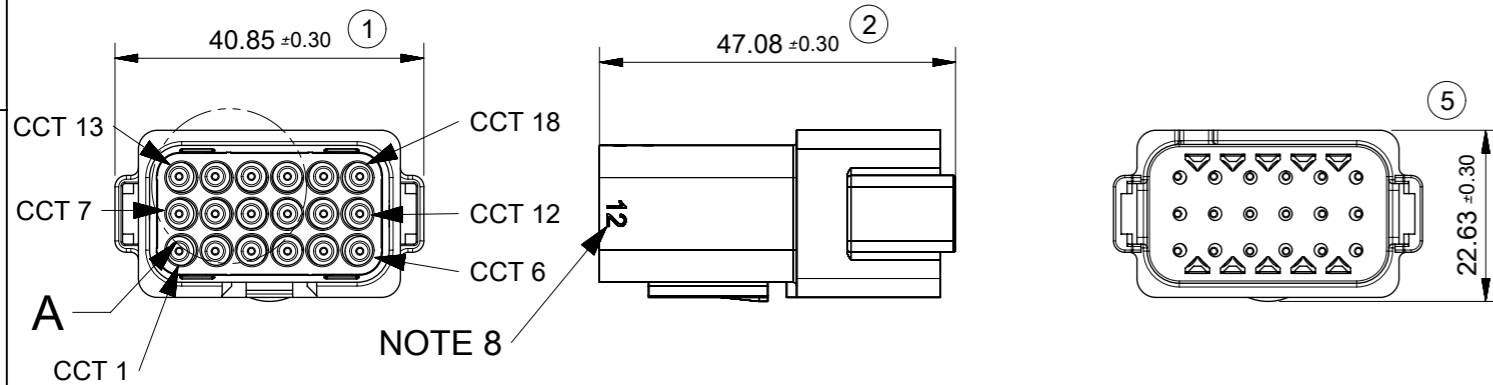
EC NO: 104366 DRWN: JFLETCHER CHK'D: FDUGGAN APPR: JDWALLACE	2016/04/27	GENERAL TOLERANCES (UNLESS SPECIFIED)		DIMENSION UNITS	SCALE			
	2016/10/21	ANGULAR TOL ± 2.0 °		MM	1.5:1			
	2017/04/14	4 PLACES ±	DRWN BY	DATE		PRODUCT CUSTOMER DRAWING		
		3 PLACES ±	JFLETCHER	2015/12/08				
		2 PLACES ± 0.1	CHK'D BY	DATE		93443	SEE CHART	GENERAL MARKET
	1 PLACE ± 0.2	FDUGGAN	2016/01/08		DOCUMENT NUMBER			
	0 PLACES ±	APPR BY	DATE		934430070	DOC TYPE	DOC PART	SHEET NUMBER
		JDWALLACE	2016/01/08			PSD	000	1 OF 7
			DRAFT WHERE APPLICABLE MUST REMAIN WITHIN DIMENSIONS		DRAWING SIZE	THIRD ANGLE PROJECTION		
					A3			

18CCT RECEPTACLE CONNECTOR



DETAIL A
SCALE 2:1

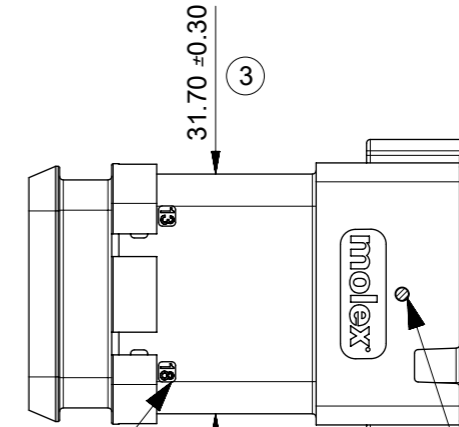
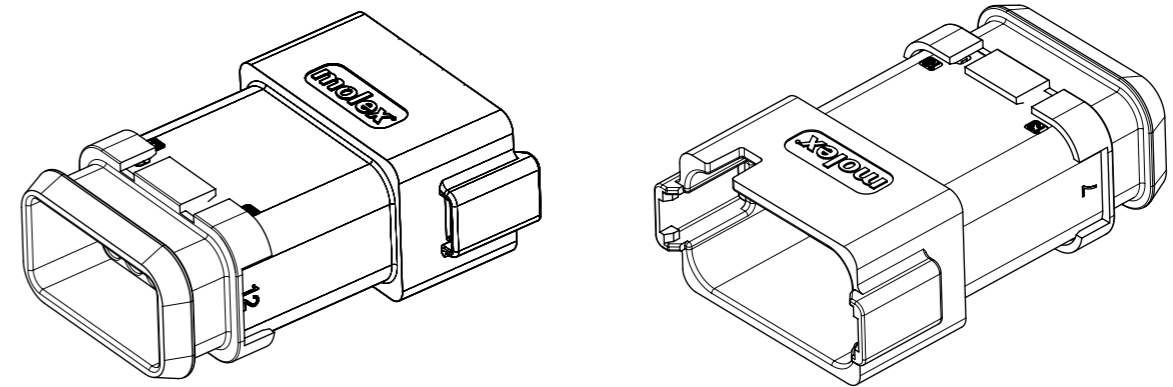
DATE CODE: X XX XX
 X — DAY: 1- 7
 X — WEEK: 01 - 52
 X — YEAR: 00 - 99
 # — MACHINE 1
 EXAMPLE: 11315 = DAY 1, WEEK 13, YEAR 15
 i.e. 23rd OF MARCH 2015



NOTES

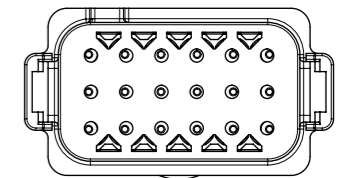
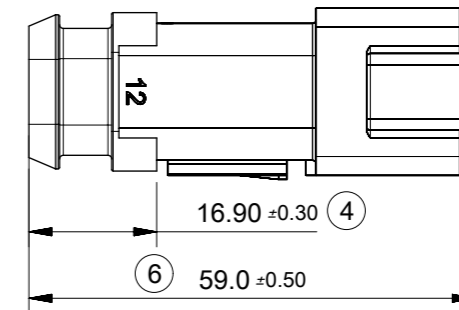
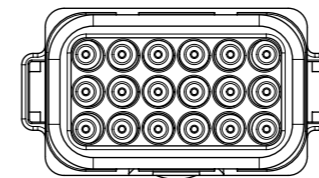
- MATERIALS
HOUSING: NYLON 30% GF
BACK SEAL: HIGH CONSISTENCY RUBBER
- CIRCUIT IDENTIFICATION
- JACKET RANGE = \varnothing 1.4MM TO 3.05MM
- SEE SHEET 3 FOR FINAL PART NUMBER DESIGNATION
- SEE 934430010 PS P FOR PRODUCT SPECIFICATION
- SEE 934430002 PS K FOR PACKAGING SPECIFICATION
- ASSEMBLY AID CHECK MARK.
- CIRCUIT ID NUMBERS "7" & "12" ON EITHER SIDE
LAST INSPECTION NUMBER 6

18CCT RECEPTACLE CONNECTOR WITH
HEATSHRINK HOUSING ULTRASONICALLY
WELDED IN PLACE



NOTE 2

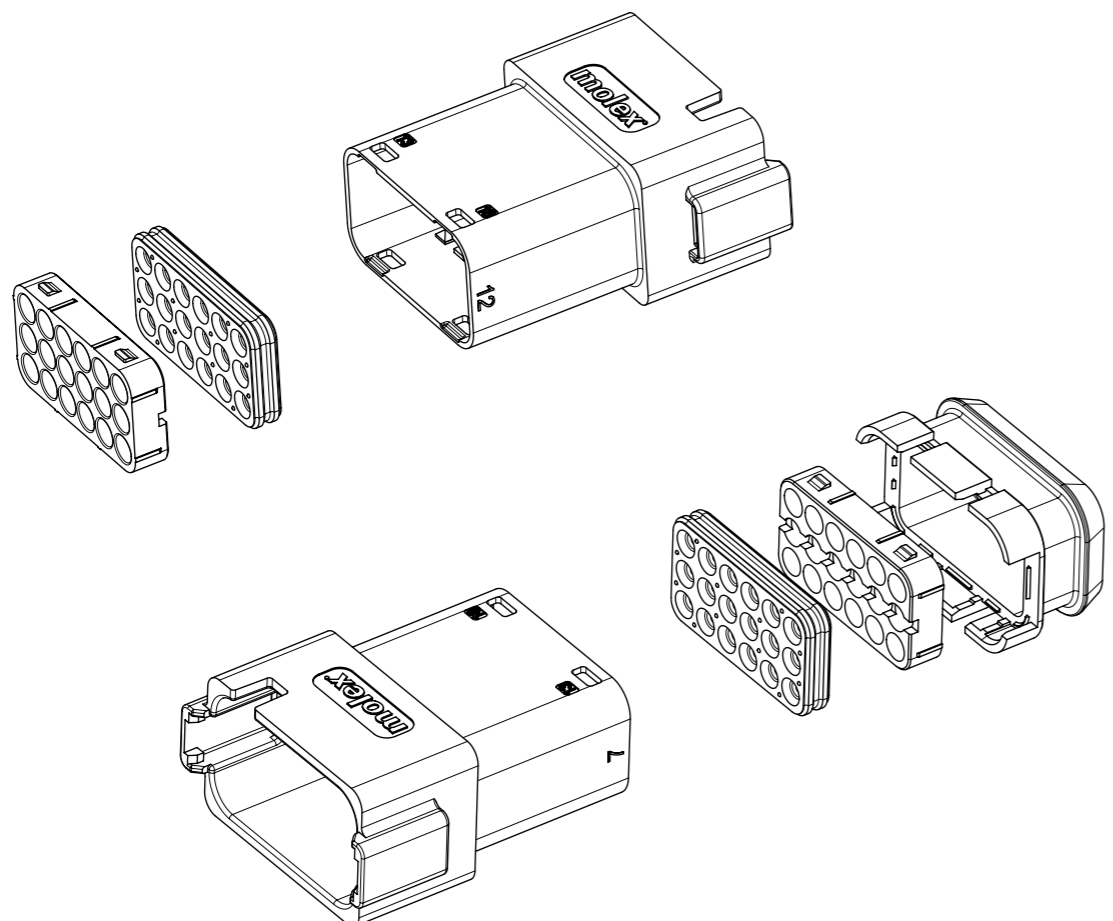
NOTE 7



THIS DRAWING CONTAINS INFORMATION THAT IS PROPRIETARY TO MOLEX ELECTRONIC TECHNOLOGIES, LLC AND SHOULD NOT BE USED WITHOUT WRITTEN PERMISSION

EC NO: 104366 DRWN: JFLETCHER CHK'D: FDUGGAN APPR: JDWALLACE	2016/04/27	GENERAL TOLERANCES (UNLESS SPECIFIED) ANGULAR TOL ± 2.0 ° 4 PLACES ± 3 PLACES ± 2 PLACES ± 0.1 1 PLACE ± 0.2 0 PLACES ± DRAFT WHERE APPLICABLE MUST REMAIN WITHIN DIMENSIONS	DIMENSION UNITS	SCALE					
	2016/10/21		MM	1:1					
	2017/04/14		DRWN BY	DATE	18CCT ML-XT CV CONNECTOR SYSTEM				
			JFLETCHER	2015/12/08					
			CHK'D BY	DATE	PRODUCT CUSTOMER DRAWING				
	FDUGGAN	2016/01/08							
	APPR BY	DATE	SERIES	MATERIAL NUMBER	CUSTOMER				
	JDWALLACE	2016/01/08	93443	SEE CHART	GENERAL MARKET				
			DRAWING SIZE		THIRD ANGLE PROJECTION	DOCUMENT NUMBER	DOC TYPE	DOC PART	SHEET NUMBER
			A3			934430070	PSD	000	2 OF 7

18CCT RECEPTACLE CONNECTOR



SERIES NO. 93444

CIRCUIT SIZE
7 = 18CCT

ASSEMBLY OPTIONS
1 = RECEP ASSEMBLY FOR WIRE JACKET RANGE: Ø1.4mm-3.05mm
5 = RECEP ASSEMBLY & HEATSHRINK FOR WIRE JACKET RANGE: Ø1.4mm-3.05mm

KEYING OPTION
1 = KEYING OPTION A
2 = KEYING OPTION B
3 = KEYING OPTION C
4 = KEYING OPTION D
5 = KEYING OPTION E

COLOUR
1 = BLACK

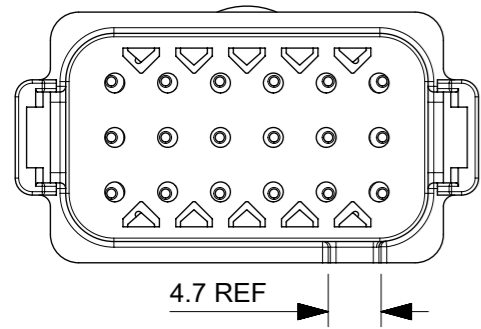
EXAMPLE:
18cct RECEP BLACK & HEATSHRINK FOR WIRE JACKET RANGE: Ø1.4mm-3.05mm, KEYING OPTION A: 93444-7511

NOTES
1. SEE SHEET 2 FOR UNSPECIFIED NOTES AND DIMENSIONS

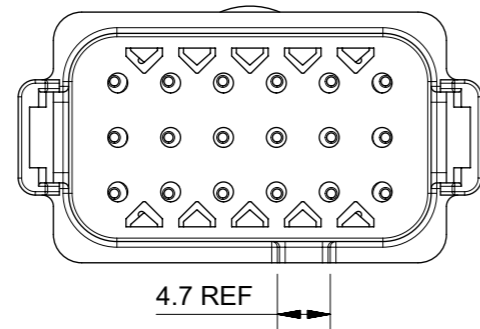
THIS DRAWING CONTAINS INFORMATION THAT IS PROPRIETARY TO MOLEX ELECTRONIC TECHNOLOGIES, LLC AND SHOULD NOT BE USED WITHOUT WRITTEN PERMISSION

PROPOSED EC NO: 104366 DRWN: JFLETCHER CHK'D: FDUGGAN APPR: JDWALLACE	2016/04/27	GENERAL TOLERANCES (UNLESS SPECIFIED)		DIMENSION UNITS	SCALE					
	2016/10/21	ANGULAR TOL ± 2.0 °		MM	1:1					
	2017/04/14	4 PLACES ±	DRWN BY		DATE		18CCT ML-XT CV CONNECTOR SYSTEM			
		3 PLACES ±	JFLETCHER		2015/12/08					
		2 PLACES ± 0.1	CHK'D BY		DATE					
	1 PLACE ± 0.2	FDUGGAN		2016/01/08		PRODUCT CUSTOMER DRAWING				
	0 PLACES ±	APPR BY		DATE		SERIES	MATERIAL NUMBER	CUSTOMER		
		JDWALLACE		2016/01/08		93443	SEE CHART	GENERAL MARKET		
		DRAFT WHERE APPLICABLE MUST REMAIN WITHIN DIMENSIONS		DRAWING SIZE	THIRD ANGLE PROJECTION	DOCUMENT NUMBER		DOC TYPE	DOC PART	SHEET NUMBER
				A3		934430070		PSD	000	3 OF 7

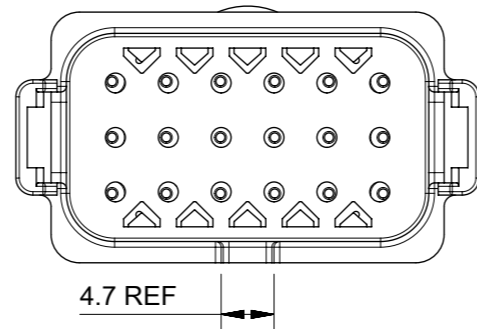
KEYING OPTION A



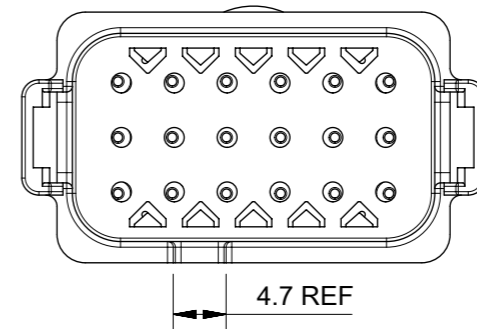
KEYING OPTION B



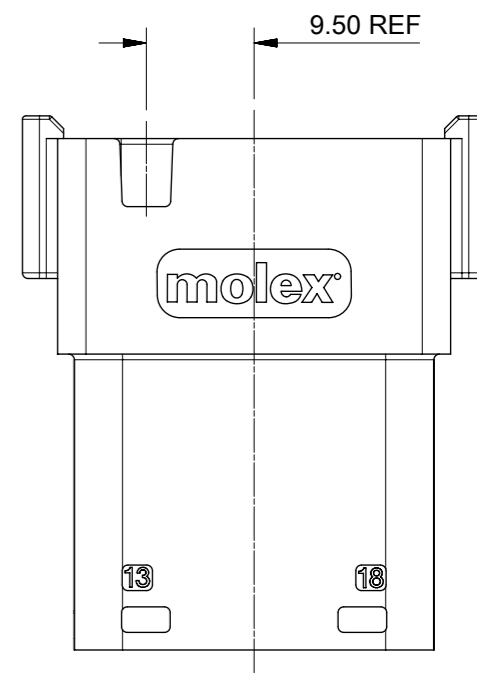
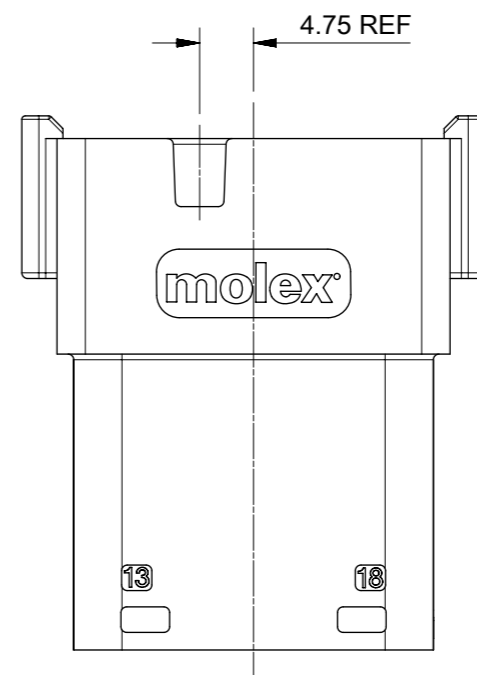
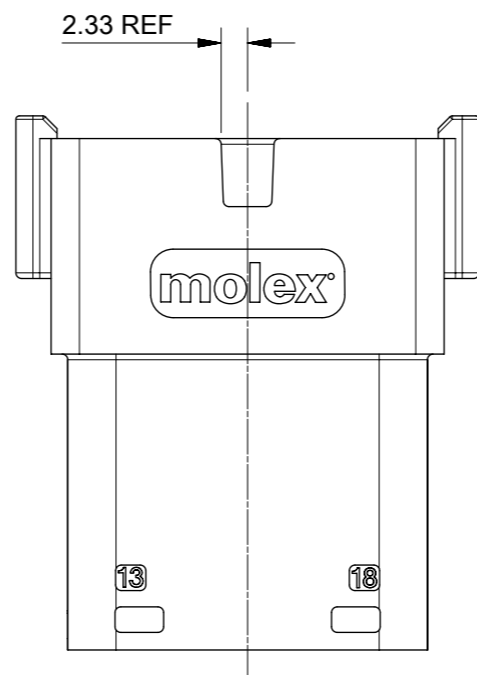
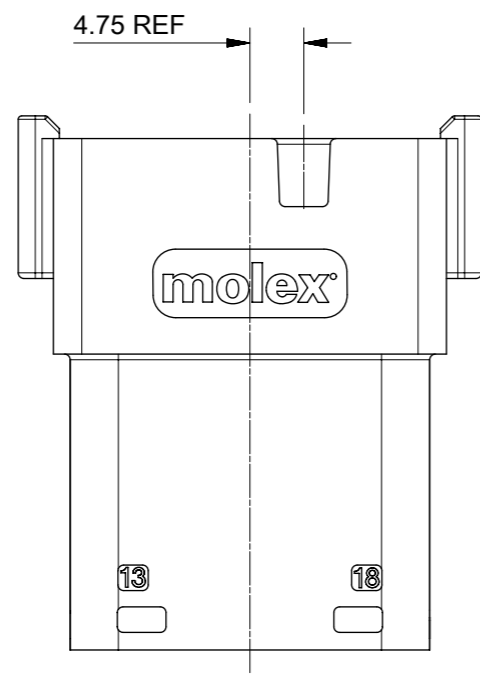
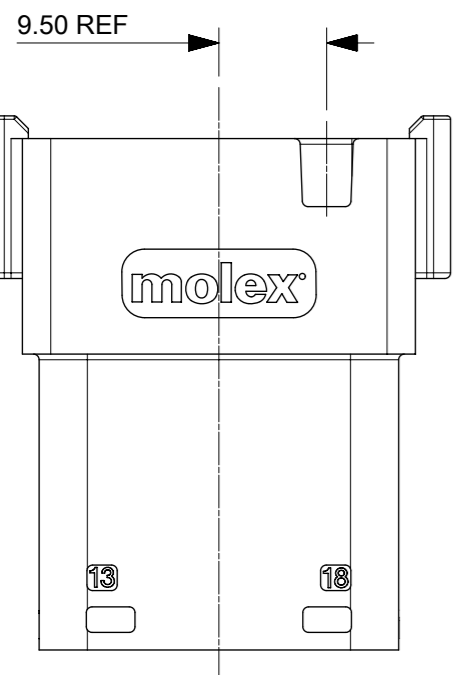
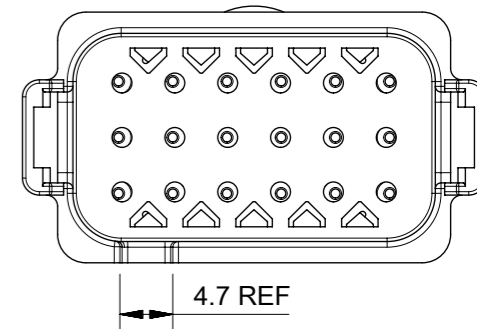
KEYING OPTION C



KEYING OPTION D



KEYING OPTION E



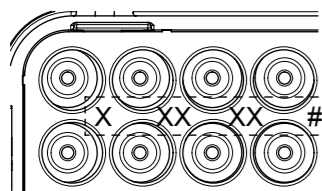
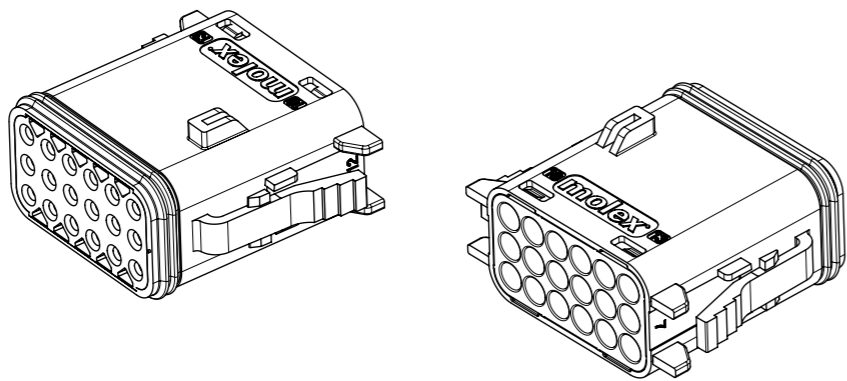
NOTES
1. SEE SHEETS 2 & 3 FOR UNSPECIFIED NOTES AND DIMENSIONS

THIS DRAWING CONTAINS INFORMATION THAT IS PROPRIETARY TO MOLEX ELECTRONIC TECHNOLOGIES, LLC AND SHOULD NOT BE USED WITHOUT WRITTEN PERMISSION

EC NO: 104366 DRWN: JFLETCHER CHK'D: FDUGGAN APPR: JDWALLACE 2016/04/27 2016/10/21 2017/04/14	GENERAL TOLERANCES (UNLESS SPECIFIED)		DIMENSION UNITS	SCALE
	ANGULAR TOL ± 2.0 °		MM	1.5:1
	4 PLACES ±	DRWN BY: JFLETCHER DATE: 2015/12/08		
	3 PLACES ±	CHK'D BY: FDUGGAN DATE: 2016/01/08		
	2 PLACES ± 0.1	APPR BY: JDWALLACE DATE: 2016/01/08		
	1 PLACE ± 0.2	DRAFT WHERE APPLICABLE MUST REMAIN WITHIN DIMENSIONS		
0 PLACES ±	DRAWING SIZE	THIRD ANGLE PROJECTION		
	A3			

molex			
18CCT ML-XT CV CONNECTOR SYSTEM			
PRODUCT CUSTOMER DRAWING			
SERIES	MATERIAL NUMBER	CUSTOMER	
93443	SEE CHART	GENERAL MARKET	
DOCUMENT NUMBER		DOC TYPE	DOC PART SHEET NUMBER
934430070		PSD	000 4 OF 7

18CCT PLUG CONNECTOR



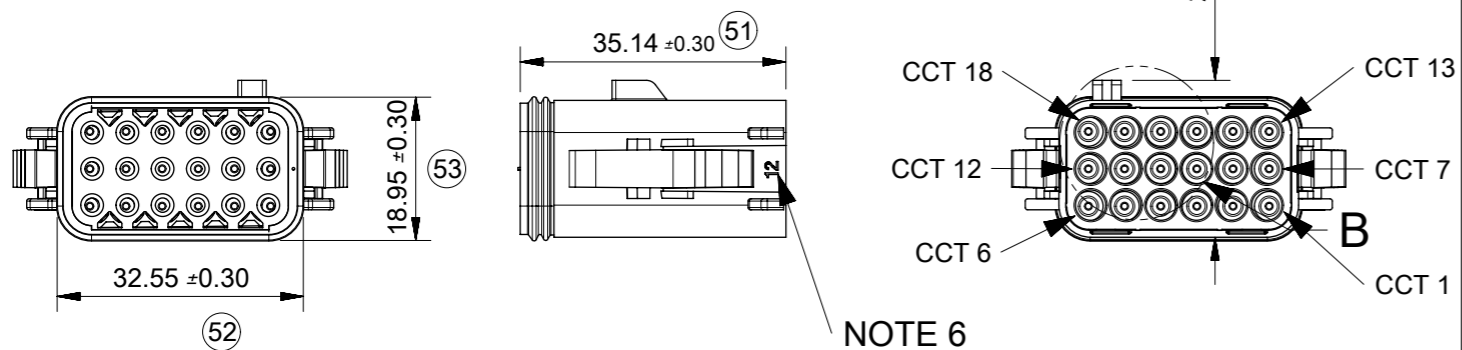
DETAIL B
SCALE 2:1

DATE CODE: X XX XX
X — DAY: 1- 7

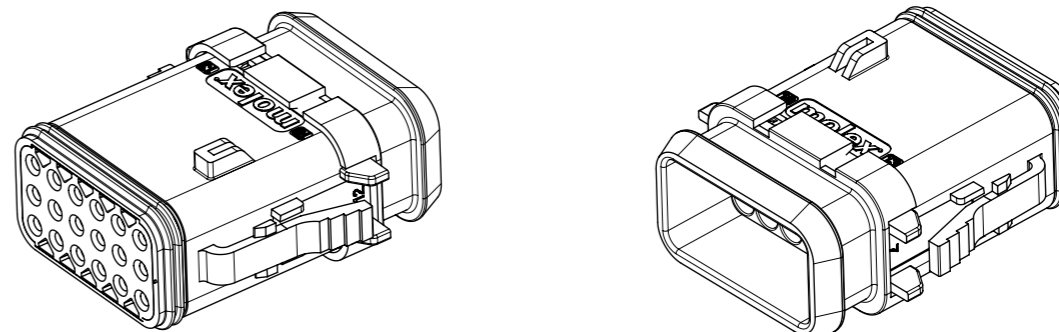
X — WEEK: 01 - 52
X — YEAR: 00 - 99
— MACHINE 1

EXAMPLE: 11315 = DAY 1, WEEK 13, YEAR 15
i.e. 23rd OF MARCH 2015

20.75 REF

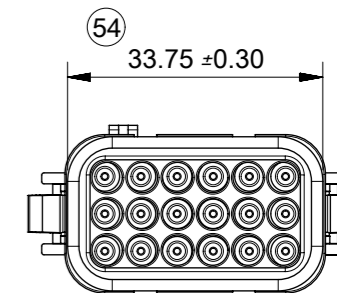
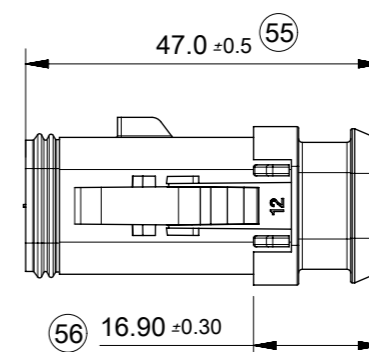
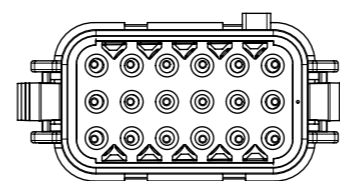
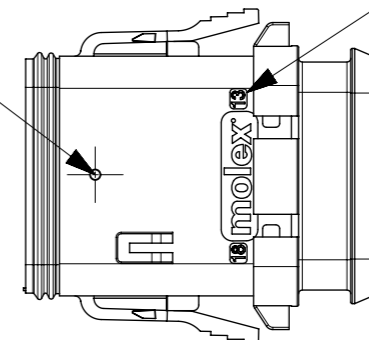


18CCT PLUG CONNECTOR WITH
HEATSHRINK HOUSING ULTRASONICALLY
WELDED IN PLACE



NOTE 5

NOTE 2

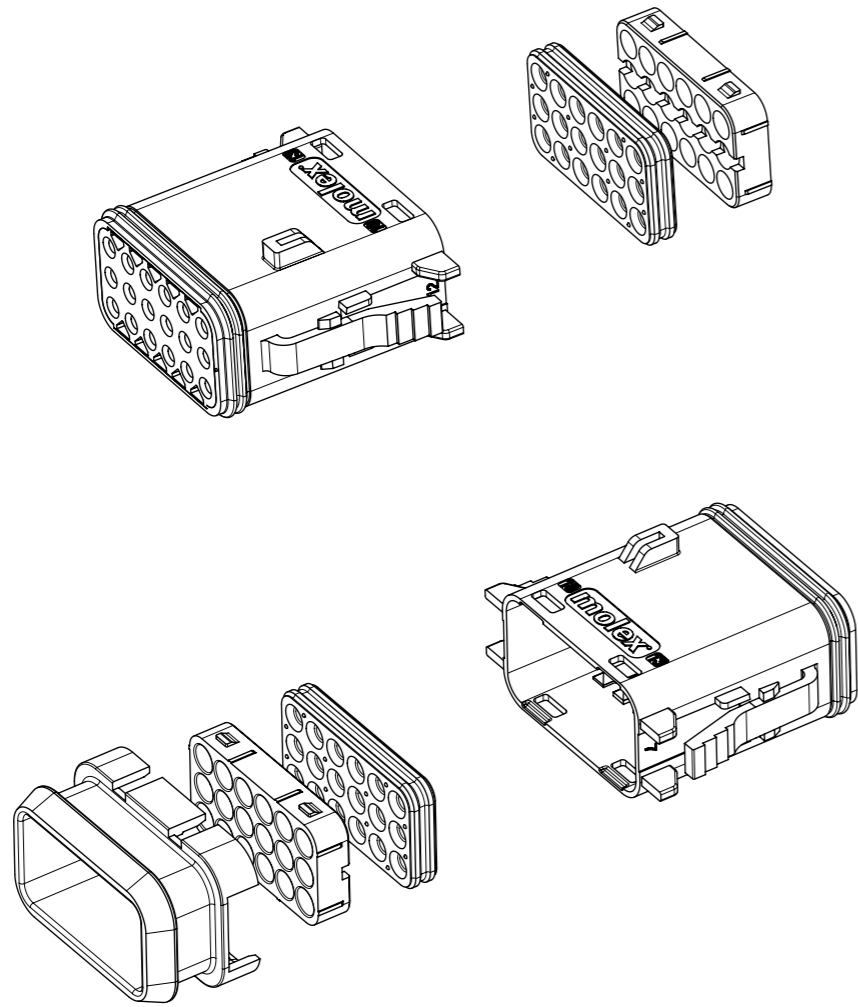


NOTES

- MATERIALS
HOUSING: NYLON 30% GF
BACK SEAL: HIGH CONSISTENCY RUBBER
PLUG SEAL: SILICONE RUBBER
- CIRCUIT IDENTIFICATION
- JACKET RANGE = Ø1.4MM TO 3.05MM
- SEE SHEET 6 FOR FINAL PART NUMBER DESIGNATION
- REFERENCE ASSEMBLY AID CHECK MARK
- CIRCUIT ID NUMBERS "7" & "12" ON EITHER SIDE
LAST INSPECTION NUMBER 56

THIS DRAWING CONTAINS INFORMATION THAT IS PROPRIETARY TO MOLEX ELECTRONIC TECHNOLOGIES, LLC AND SHOULD NOT BE USED WITHOUT WRITTEN PERMISSION

EC NO: 104366 DRWN: JFLETCHER CHK'D: FDUGGAN APPR: JDWALLACE	2016/04/27	GENERAL TOLERANCES (UNLESS SPECIFIED) ANGULAR TOL ± 2.0 ° 4 PLACES ± 3 PLACES ± 2 PLACES ± 0.1 1 PLACE ± 0.2 0 PLACES ± DRAFT WHERE APPLICABLE MUST REMAIN WITHIN DIMENSIONS	DIMENSION UNITS	SCALE			
	2016/10/21		MM	1:1			
	2017/04/14		DRWN BY	DATE	18CCT ML-XT CV CONNECTOR SYSTEM		
			JFLETCHER	2015/12/08			
B	REV		CHK'D BY	DATE	PRODUCT CUSTOMER DRAWING		
			FDUGGAN	2016/01/08			
			APPR BY	DATE	SERIES	MATERIAL NUMBER	CUSTOMER
			JDWALLACE	2016/01/08	93443	SEE CHART	GENERAL MARKET
			DRAWING SIZE	THIRD ANGLE PROJECTION	DOCUMENT NUMBER: 934430070 DOC TYPE: PSD DOC PART: 000 SHEET NUMBER: 5 OF 7		
			A3				



18CCT PLUG CONNECTOR

SERIES NO. 93445

CIRCUIT SIZE
7 = 18CCT

ASSEMBLY OPTIONS

- 1 = PLUG ASSEMBLY FOR WIRE JACKET RANGE: \varnothing 1.4mm-3.05mm
- 5 = PLUG ASSEMBLY & HEATSHRINK FOR WIRE JACKET RANGE: \varnothing 1.4mm-3.05mm

KEYING OPTION

- 1 = KEYING OPTION A
- 2 = KEYING OPTION B
- 3 = KEYING OPTION C
- 4 = KEYING OPTION D
- 5 = KEYING OPTION E

COLOUR
1 = BLACK

EXAMPLE:

18cct PLUG BLACK & HEATSHRINK FOR WIRE JACKET RANGE: \varnothing 1.4mm-3.05mm, KEYING OPTION A: 93445-7511

NOTES
1. SEE SHEET 5 FOR UNSPECIFIED NOTES AND DIMENSIONS

THIS DRAWING CONTAINS INFORMATION THAT IS PROPRIETARY TO MOLEX ELECTRONIC TECHNOLOGIES, LLC AND SHOULD NOT BE USED WITHOUT WRITTEN PERMISSION

PROPOSED EC NO: 104366 DRWN: JFLETCHER CHK'D: FDUGGAN APPR: JDWALLACE	2016/04/27	GENERAL TOLERANCES (UNLESS SPECIFIED)		DIMENSION UNITS	SCALE	 18CCT ML-XT CV CONNECTOR SYSTEM			
	2016/10/21	ANGULAR TOL \pm 2.0 °		MM	1:1				
	2017/04/14	4 PLACES	\pm	DRWN BY	DATE	PRODUCT CUSTOMER DRAWING			
		3 PLACES	\pm	JFLETCHER	2015/12/08				
		2 PLACES	\pm 0.1	CHK'D BY	DATE				
	1 PLACE	\pm 0.2	FDUGGAN	2016/01/08	SERIES: 93443 MATERIAL NUMBER: SEE CHART CUSTOMER: GENERAL MARKET				
	0 PLACES	\pm	APPR BY	DATE					
			JDWALLACE	2016/01/08	DOCUMENT NUMBER: 934430070 DOC TYPE: PSD DOC PART: 000 SHEET NUMBER: 6 OF 7				
			DRAFT WHERE APPLICABLE MUST REMAIN WITHIN DIMENSIONS	DRAWING SIZE	THIRD ANGLE PROJECTION				
				A3					

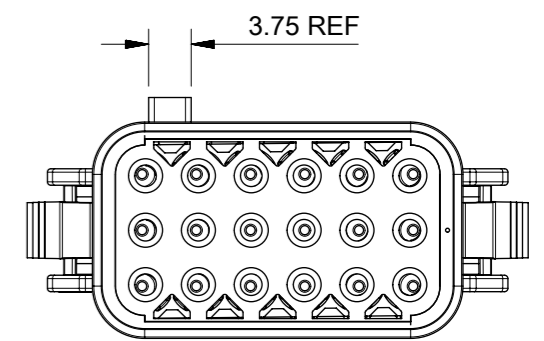
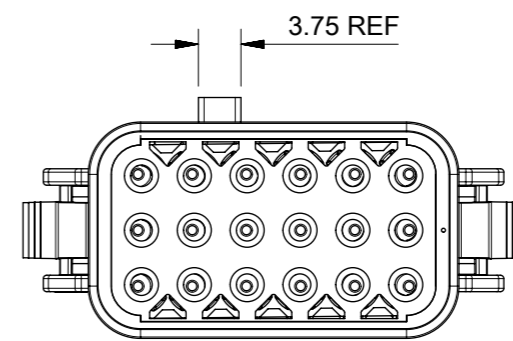
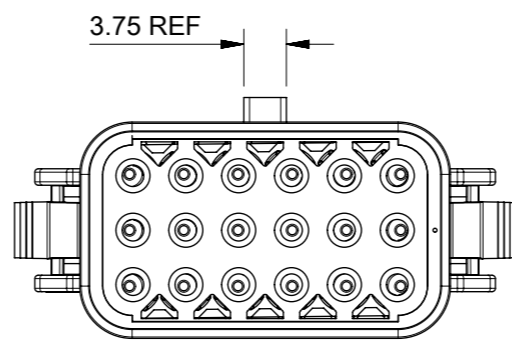
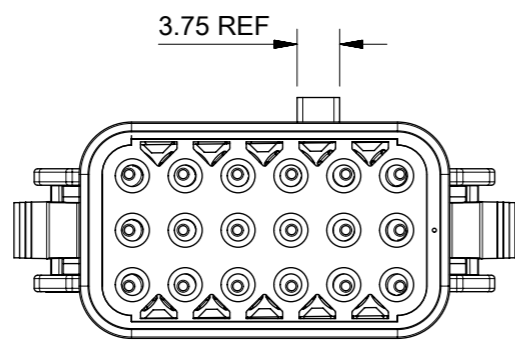
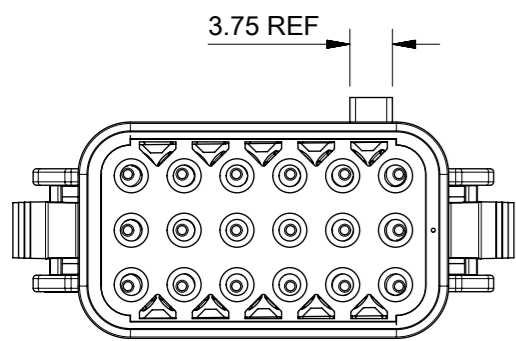
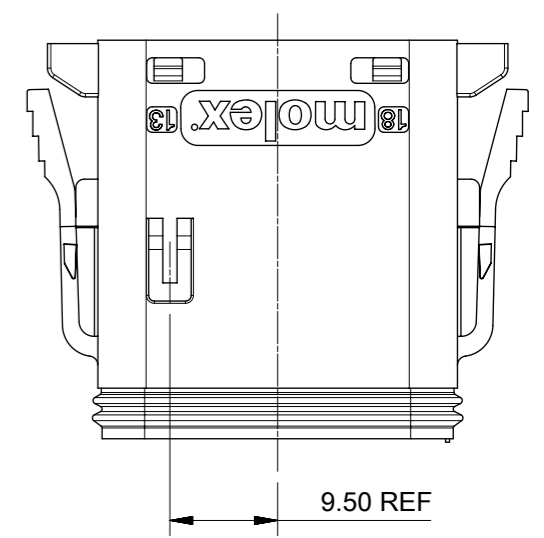
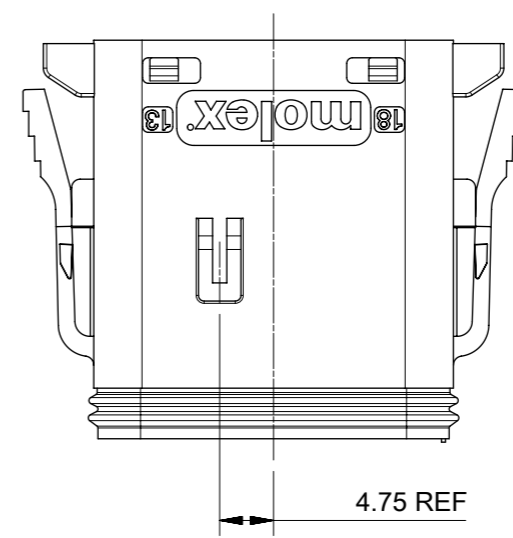
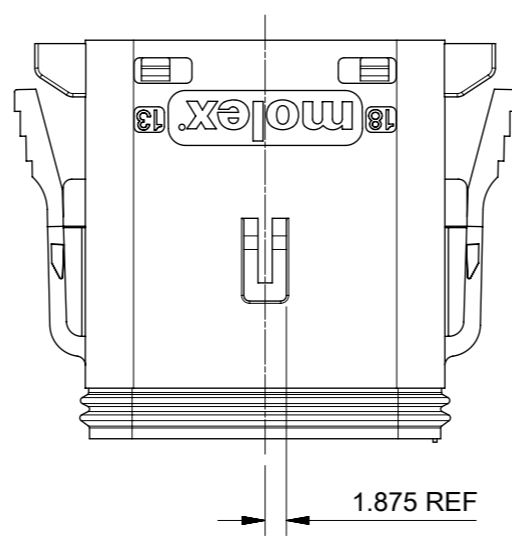
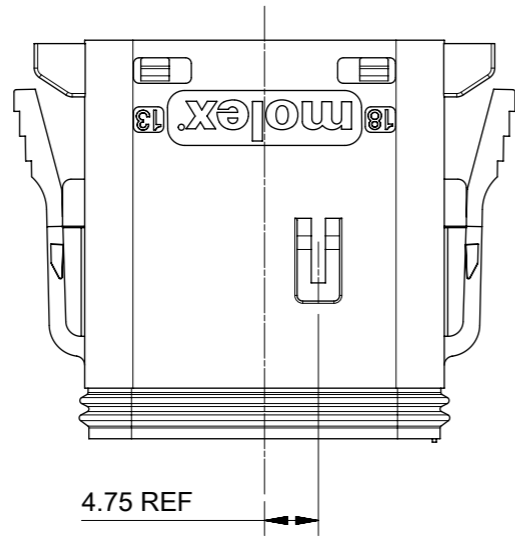
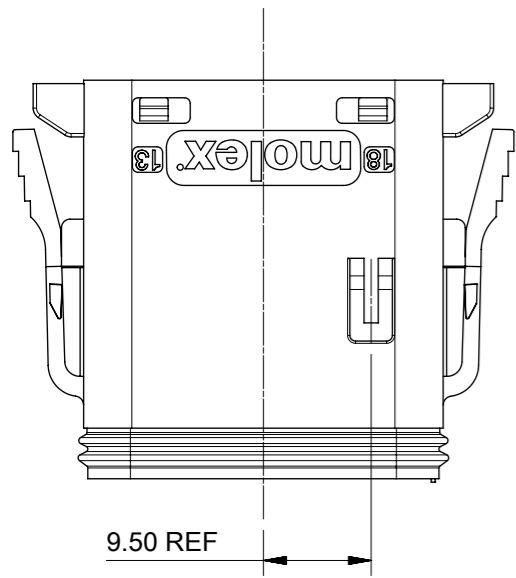
KEYING OPTION A

KEYING OPTION B

KEYING OPTION C

KEYING OPTION D

KEYING OPTION E



NOTES:
1. SEE SHEETS 5 & 6 FOR UNSPECIFIED NOTES AND DIMENSIONS

THIS DRAWING CONTAINS INFORMATION THAT IS PROPRIETARY TO MOLEX ELECTRONIC TECHNOLOGIES, LLC AND SHOULD NOT BE USED WITHOUT WRITTEN PERMISSION

EC NO: 104366 DRWN: JFLETCHER CHK'D: FDUGGAN APPR: JDWALLACE	2016/04/27 2016/10/21 2017/04/14	GENERAL TOLERANCES (UNLESS SPECIFIED) ANGULAR TOL ± 2.0 °	DIMENSION UNITS: MM SCALE: 1.5:1
	4 PLACES ± 3 PLACES ± 2 PLACES ± 0.1 1 PLACE ± 0.2 0 PLACES ±	DRWN BY: JFLETCHER DATE: 2015/12/08	CHK'D BY: FDUGGAN DATE: 2016/01/08
	DRAFT WHERE APPLICABLE MUST REMAIN WITHIN DIMENSIONS	APPR BY: JDWALLACE DATE: 2016/01/08	DRAWING SIZE: A3 THIRD ANGLE PROJECTION
	PROPOSED		DIMENSION UNITS: MM SCALE: 1.5:1
	EC NO: 104366 DRWN: JFLETCHER CHK'D: FDUGGAN APPR: JDWALLACE		DRWN BY: JFLETCHER DATE: 2015/12/08
	EC NO: 104366 DRWN: JFLETCHER CHK'D: FDUGGAN APPR: JDWALLACE		CHK'D BY: FDUGGAN DATE: 2016/01/08

18CCT ML-XT CV CONNECTOR SYSTEM			
PRODUCT CUSTOMER DRAWING			
SERIES	MATERIAL NUMBER	CUSTOMER	
93443	SEE CHART	GENERAL MARKET	
DOCUMENT NUMBER		DOC TYPE	DOC PART
934430070		PSD	000
		SHEET NUMBER	
		7 OF 7	