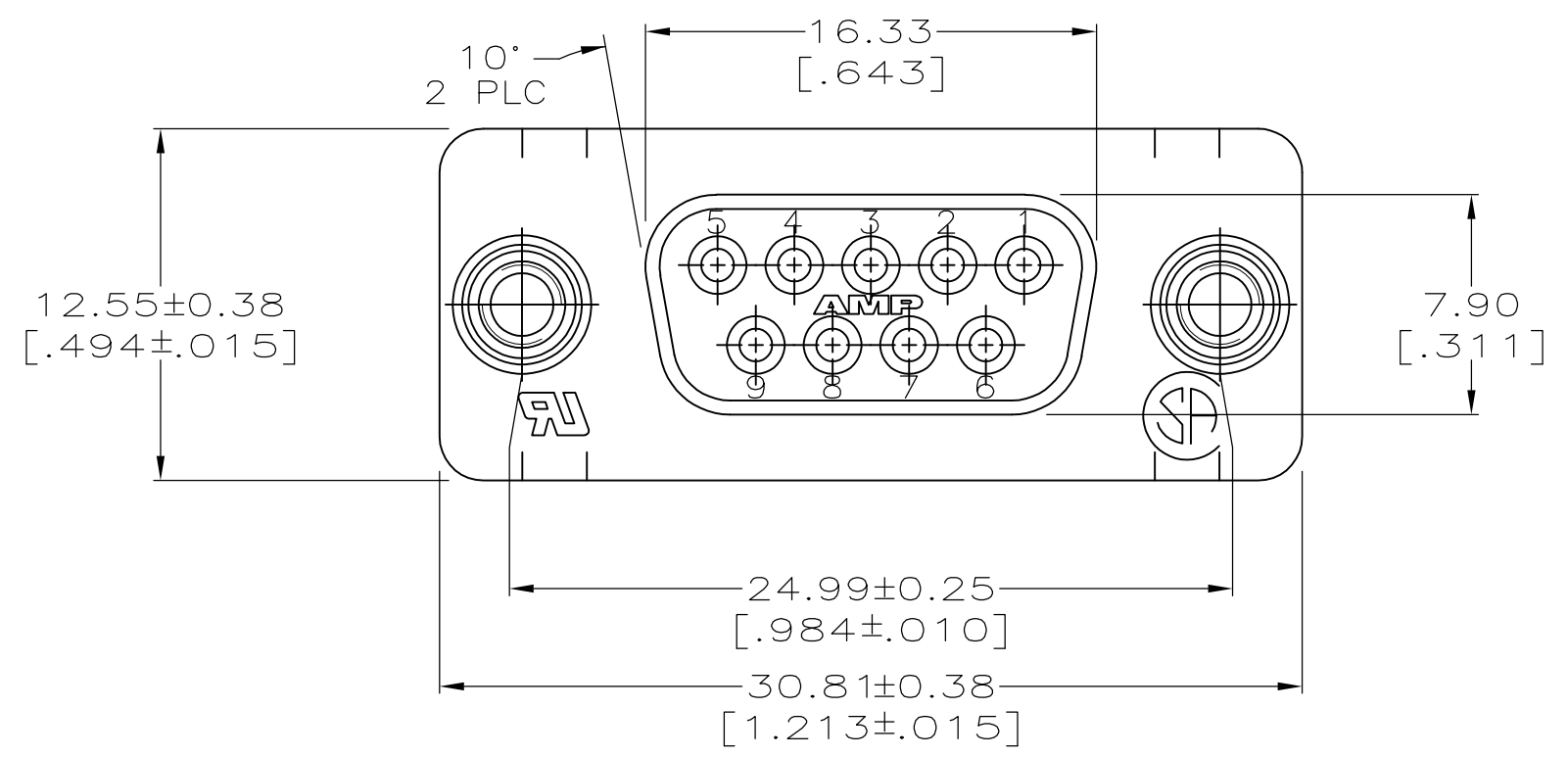
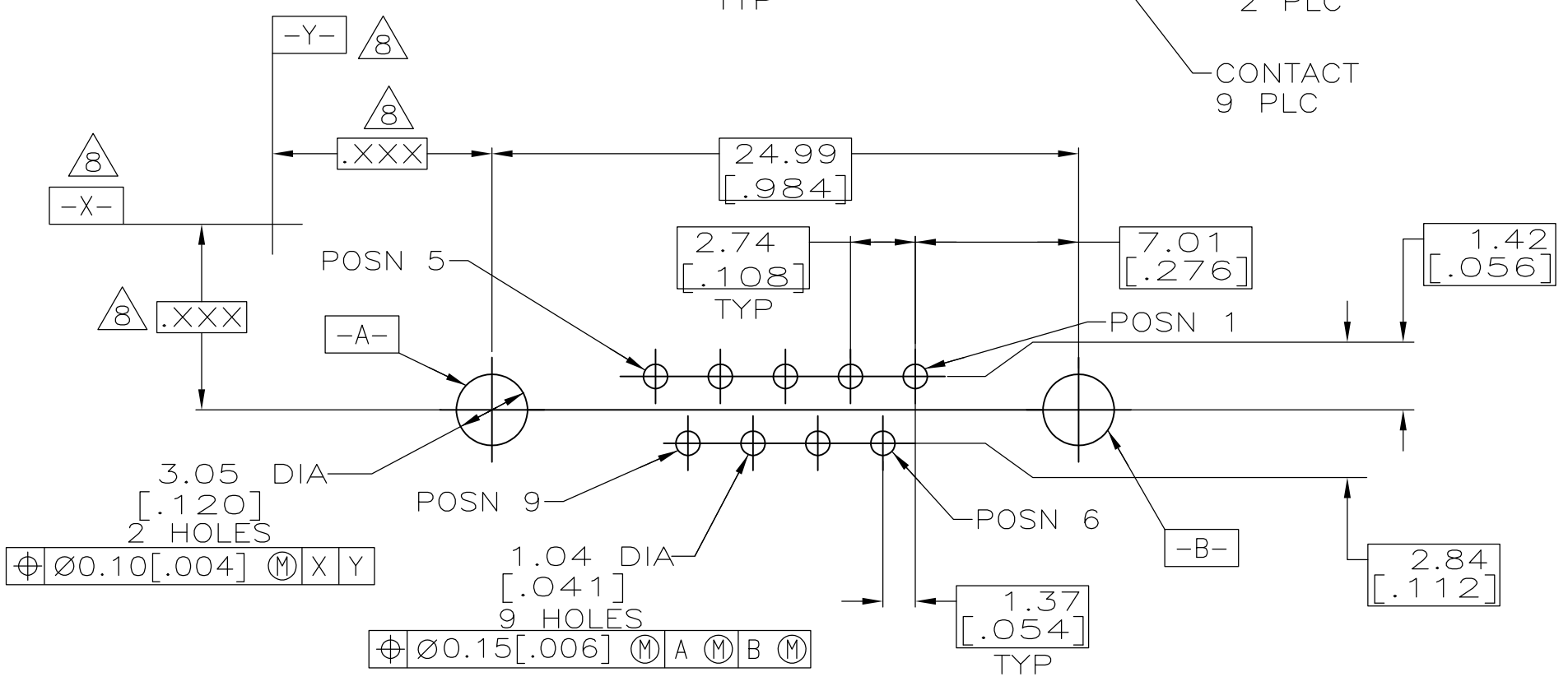
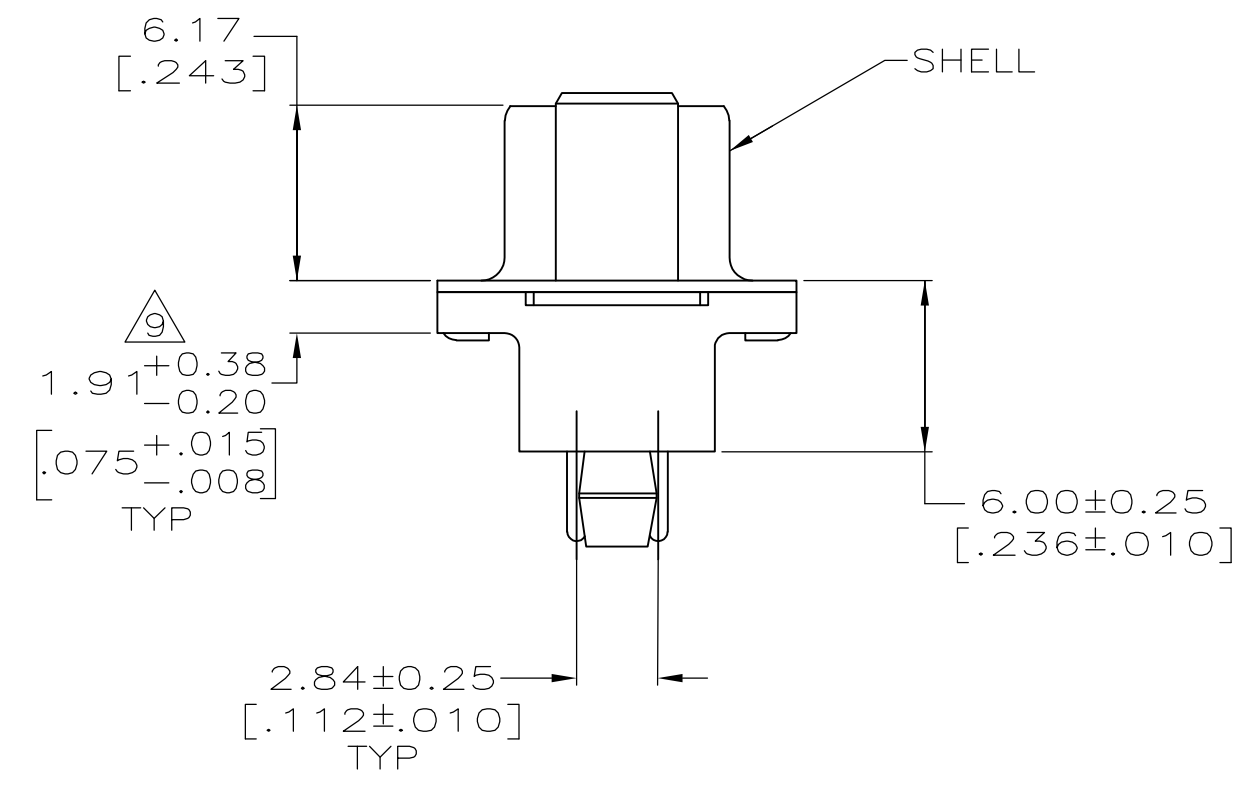
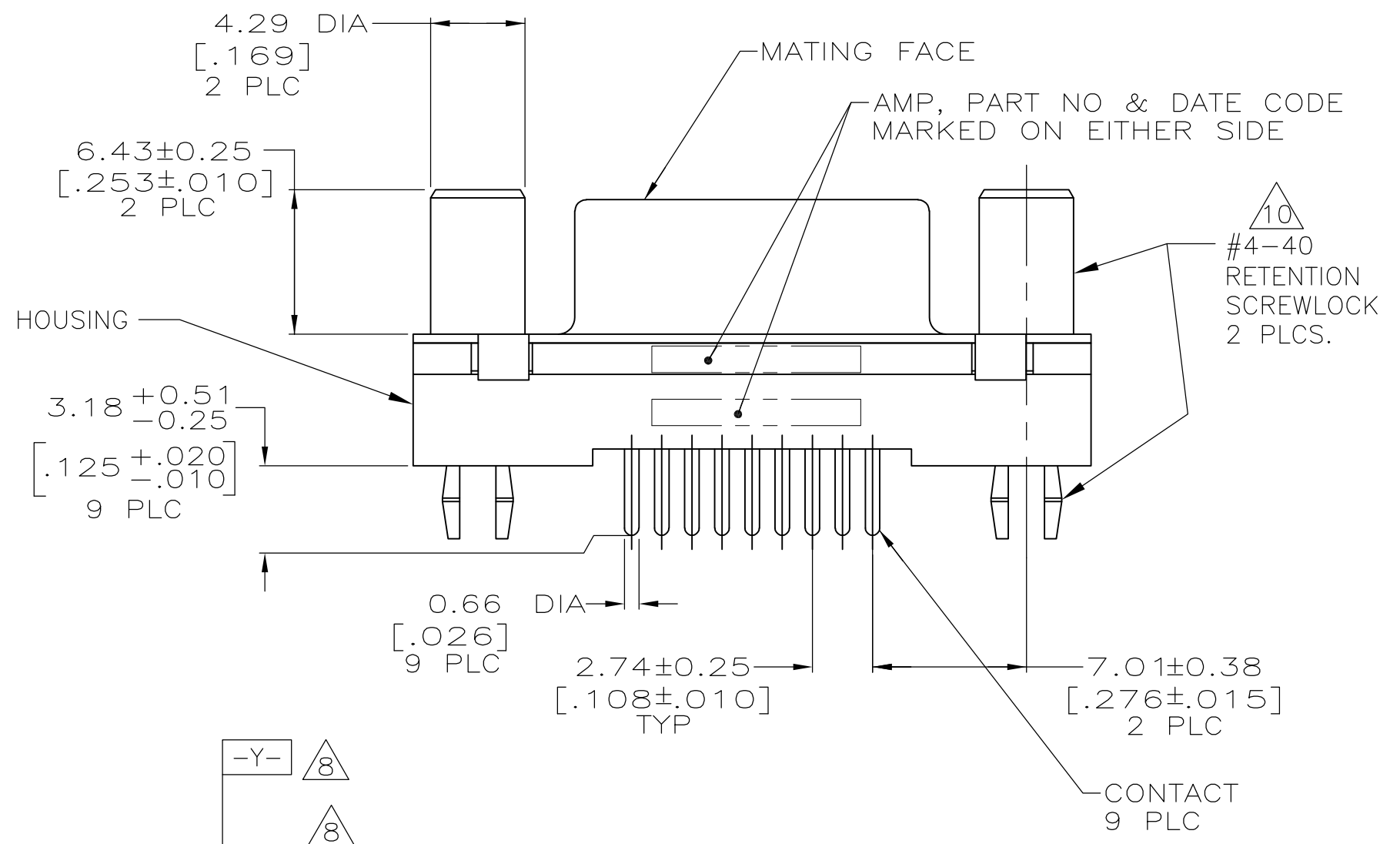


LOC	DIST	REVISIONS					
GP	00	P	LTR	DESCRIPTION	DATE	DWN	APVD
		J		REVISED PER ECO-09-024765	14JAN2010	CR	SB



- 1 HOUSING: POLYESTER, UL 94V-O RATED, BLACK.
- 2 SHELL: CARBON STEEL.
- 3 CONTACT: PHOSPHOR BRONZE.
- 4 RETENTION SCREWLOCK: BRASS.
- 5 SHELL: 5.08µm [.000200] MIN TIN OVER 2.54µm [.000100] MIN COPPER.
- 6 CONTACT: 0.76µm [.000030] MIN GOLD FOR A LENGTH OF 1.40 [.055] MIN FROM MATING END, 2.54µm [.000100] MIN TIN-LEAD ON OPPOSITE END FOR A LENGTH OF 3.68 [.145] MIN, BOTH OVER 1.27µm [.000050] MIN NICKEL.
- 7 RETENTION SCREWLOCK: 2.54µm [.000100] MIN TIN-LEAD OVER 1.27µm [.000050] MIN NICKEL OVER COPPER FLASH.
- 8 DATUMS AND BASIC DIMENSIONS ESTABLISHED BY CUSTOMER.
- 9 2.79[.110] MAX IN SHELL TAB CLINCH AREAS.
- 10 ORIENTATION IS OPTIONAL AND MAY NOT BE AS SHOWN.



PC BOARD MOUNTING DIMENSIONS
 CONNECTOR SIDE OF BOARD
 1.57[.062] PC BOARD THICKNESS

750678-1
 PART NUMBER

THIS DRAWING IS A CONTROLLED DOCUMENT.		DWN	L.SIPE	02/14/91	Tyco Electronics Corporation Harrisburg, PA 17105-3608
DIMENSIONS: mm[INCHES]		CHK	J. McCLINTON	2-18-91	
TOLERANCES UNLESS OTHERWISE SPECIFIED:		APVD			RECEPTACLE ASSEMBLY, SIZE 1, 9 POSN, VERTICAL, FRONT METAL AMPLIMITE, HDP
0 PLC ± -		NAME			
1 PLC ± -		PRODUCT SPEC		108-40025	
2 PLC ± 0.13 [.005]		APPLICATION SPEC		114-40023	
3 PLC ± -		SIZE		A2	
4 PLC ± -		CAGE CODE		00779	
ANGLES ± -		DRAWING NO		750678	
MATERIAL		WEIGHT			
FINISH		CUSTOMER DRAWING			
1 2 3 4		SCALE		4:1	
5 6 7		SHEET		1 OF 1	
		REV		J	