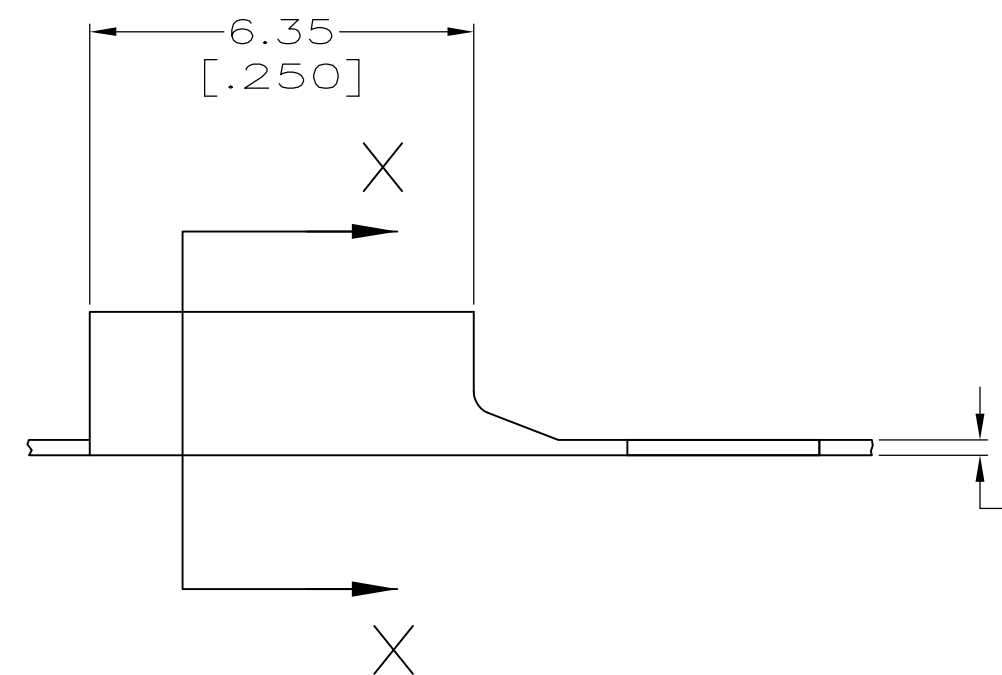
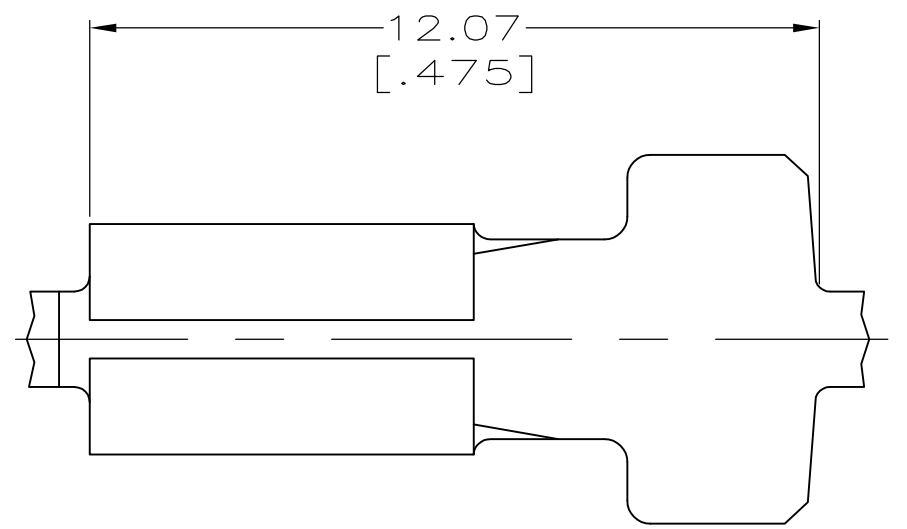


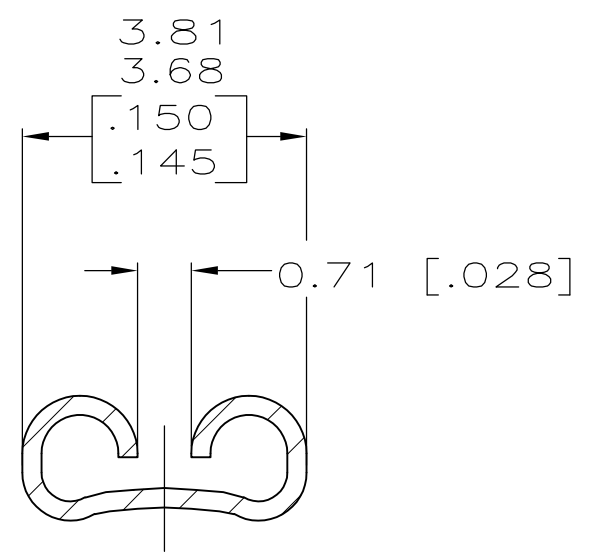
THIS DRAWING IS UNPUBLISHED. RELEASED FOR PUBLICATION - , - .
 © COPYRIGHT - By - ALL RIGHTS RESERVED.

LOC	DIST	REVISIONS			
P	LTR	DESCRIPTION	DATE	DWN	APVD
AF	50				
	D	REVISED PER ECR-12-013518	26NOV2012	KH	PD




0.25±0.025
[.010±.001]

1 CONTINUOUS STRIP ON REELS.



SECTION X-X
SCALE 10:1

1217048-1
PART NO.

THIS DRAWING IS A CONTROLLED DOCUMENT.		DWN JR RUTH 12/18/97	 TE Connectivity		
DIMENSIONS: mm [INCHES]		CHK MS FEHER 12/18/97			
TOLERANCES UNLESS OTHERWISE SPECIFIED:		APVD J GILLESPIE 12/18/97	NAME RECEPTACLE, FASTON, 2.79 [.110] SERIES		
0 PLC ± - 1 PLC ± - 2 PLC ± 0.25 [.010] 3 PLC ± - 4 PLC ± - ANGLES ± -		PRODUCT SPEC -	APPLICATION SPEC -		
MATERIAL BRASS	FINISH TIN	WEIGHT -	SIZE A3	CAGE CODE 00779	DRAWING NO C-1217048
CUSTOMER DRAWING			SCALE 8:1	SHEET 1 OF 1	REV D