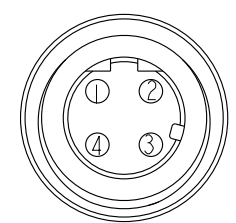
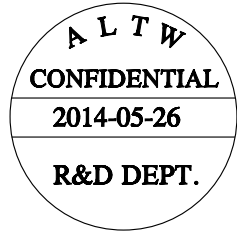
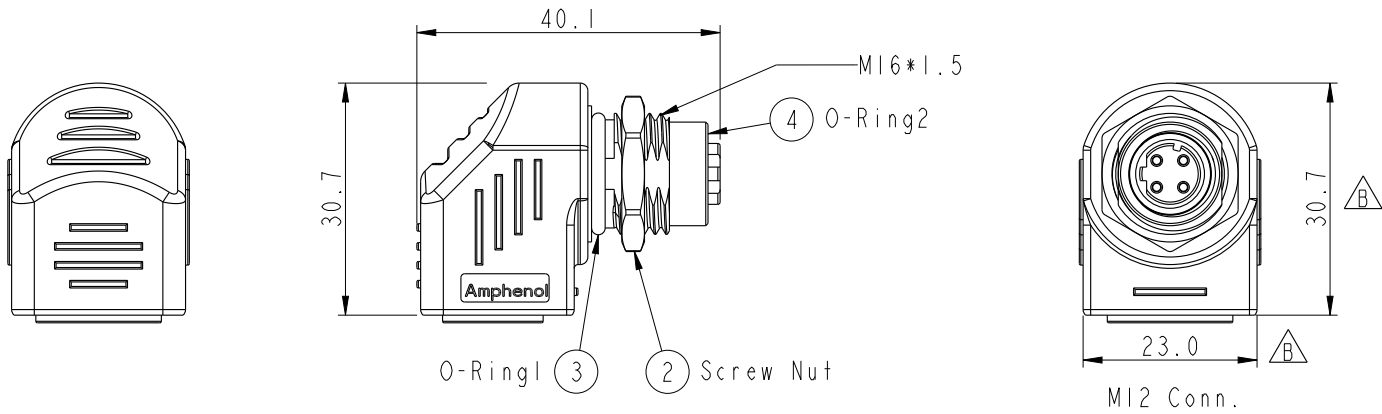
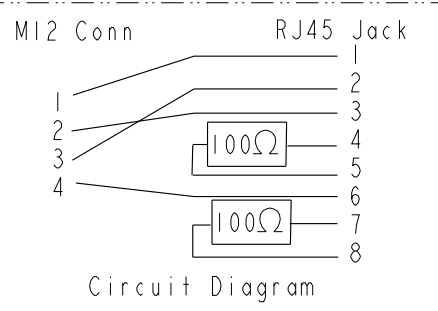
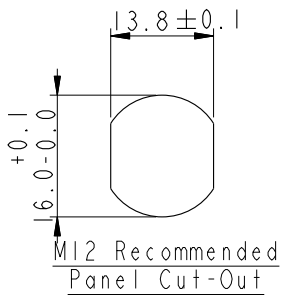
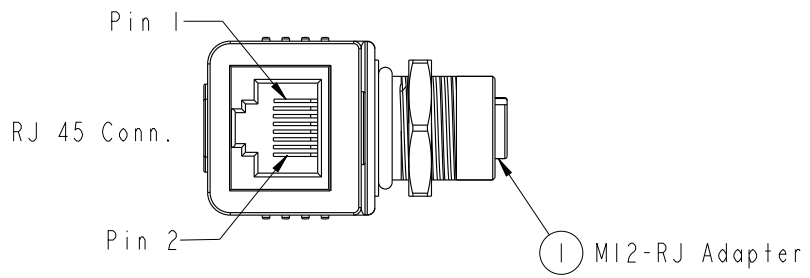


REV.	ECN NO.	DATE	SIGN	DESCRIPTION
A		2013-02-06	Lu Di	Change Rev.01 To Rev.A
B	LE31350016	2013-04-22	Lu Di	Update The Dimensions & Pin Out
C	LE31460010	2014-05-26	Tony_leng	Change O-Ring



Pin Assignments  
Front View



- Note:
- \*  $\varnothing$  Important Dimension
  - \* Waterproof Rate: IP65(MOLDING)
  - \* Waterproof Rate: IP68(MI2)  
(Under Water 1M 24 hours)
  - \* Pin: Copper Alloy, Gold Plated
  - \* Nut: Zinc Alloy, Nickel Plated
  - \* Shield: Copper Alloy, Nickel Plated
  - \* O-Ring1: Silicone, UL94V-0, Gray.
  - \* O-Ring2: Silicone, UL94V-0, Gray.
  - \* Jack: PBT, Black.
  - \* Housing: Nylon+GF, Black.
  - \* Panel Thickness Max: 5.0mm

UNIT: mm TOLERANCE ±0.5mm	TITLE ADAPTOR, SHIELDED M12 D CODE TO RJ45		<h1>Amphenol LTW</h1> <p>安費諾亮泰企業股份有限公司</p>		ITEM NO RJS-12D04FF-RS8001	DRAWN BY Tony_leng	DATE 2014-05-26	
	SCALE 1:1	SIZE A4			SHEET 1 OF 2	DWG NO RJS-12D04FF-RS8001	CHECKED BY Jimmy	DATE 2014-05-26
	REV. C	WC-REV. B.2			$\varnothing$ Inspection item	CUSTOMER ALTW	APPROVED BY Jo-anne	DATE 2014-05-26

THIS DOCUMENT IS SUBJECT TO CHANGE WITHOUT NOTICE. IT IS CONFIDENTIAL AND A PROPERTY OF Amphenol LTW. DISCLOSURE TO THIRD PARTY HAS TO BE AUTHORIZED BY Amphenol LTW.

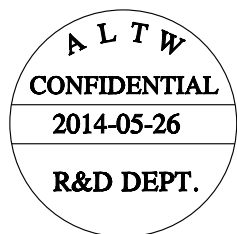
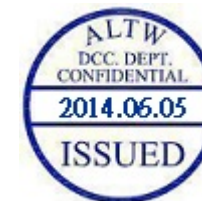
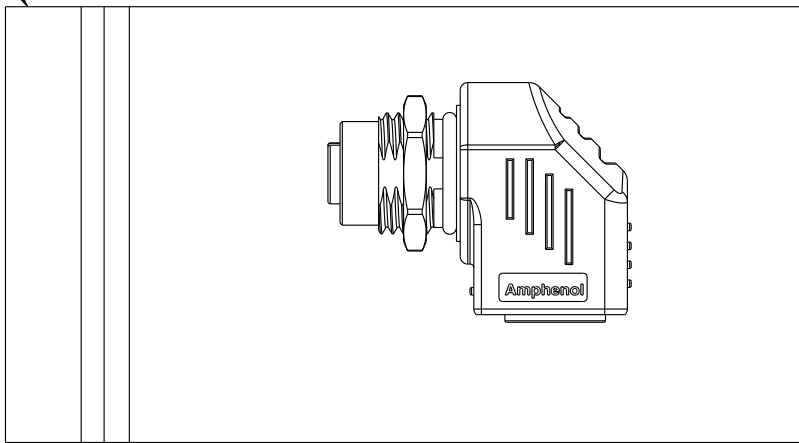
THIS DOCUMENT IS SUBJECT TO CHANGE WITHOUT NOTICE. IT IS CONFIDENTIAL AND A PROPERTY OF AMPHENOL LTW. DISCLOSURE TO THIRD PARTY HAS TO BE AUTHORIZED BY AMPHENOL LTW.

1 2 3 4 5 6 7 8

F  
E  
D  
C  
B  
A

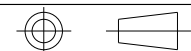
Zipper Bag

5



\* 1 Product With 1 Zipper Bag

**UNIT:mm**



TOLERANCE  
 $\pm 0.5\text{mm}$



TITLE ADAPTOR, SHIELDED M12 D CODE TO RJ45			
SCALE 1:1	SIZE A4	SHEET 2 OF 2	
REV. C	WC-REV. B.2	QC: Inspection item	

**Amphenol LTW**  
安費諾亮泰企業股份有限公司

ITEM NO RJS-12D04FF-RS8001	DRAWN BY Tony_leng	DATE 2014-05-26
DWG NO RJS-12D04FF-RS8001	CHECKED BY Jimmy	DATE 2014-05-26
CUSTOMER ALTW	APPROVED BY Jo-anne	DATE 2014-05-26

1 2 3 4 5 6 7 8 FMW10702-01-02A1