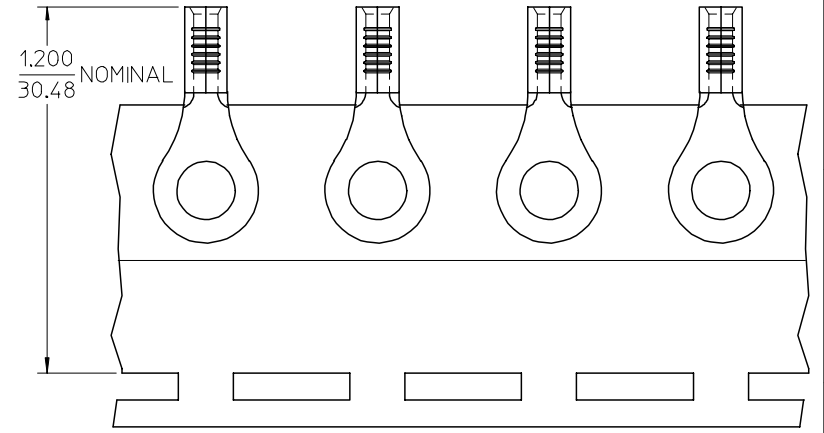
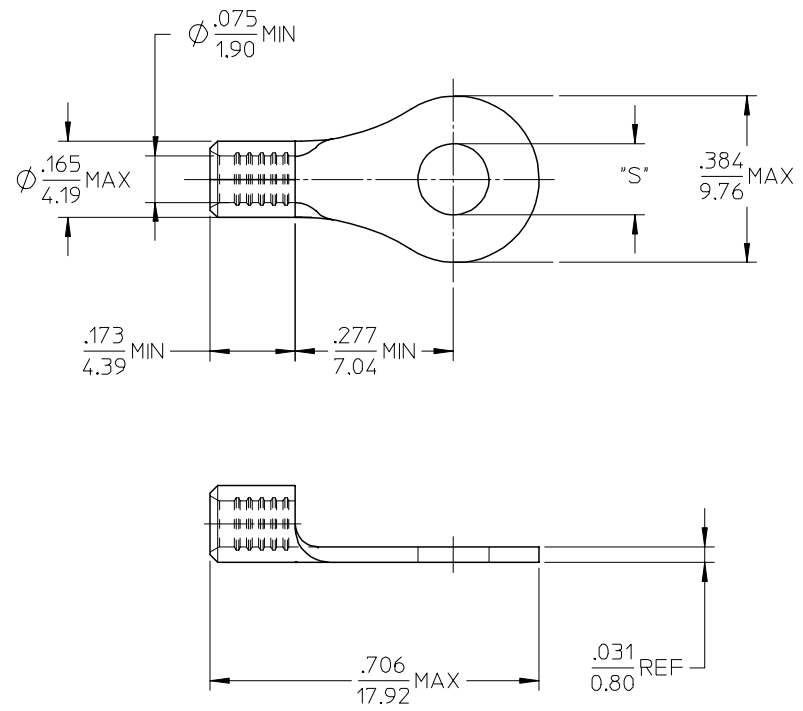


MATERIAL NO.	ENG. NO.	STUD SIZE	"S" MAX	DESCRIPTION
192030388	B-S-137-10	10	.212/5.38	LOOSE
192030052	B-S-137-10T	10	.212/5.38	TAPE



PARTS ON TAPE

NOTE(S):

1. MATERIAL: STEEL
2. WIRE SIZE: 16-14 AWG (1.5-2.5 MM²)
3. FINISH: NICKEL PLATING
4. PART IS ROHS COMPLIANT.
5. AMBIENT OPERATING TEMPERATURE UP TO 900 °F (483 °C).

ADDED OPERATING TEMP	EC NO: ETC2007-0297
DRW: DRWNEHLE	2007/03/13
CHKD: JMAGNEIL	2007/03/13
APPR: JMAGNEIL	2007/03/14

QUALITY SYMBOLS	DESCRIPTION
▽=0	
▽=0	

GENERAL TOLERANCES (UNLESS SPECIFIED)	
	mm INCH
4 PLACES	± .005 ± .0005
3 PLACES	± .005 ± .0005
2 PLACES	± .005 ± .0005
1 PLACE	± .005 ± .0005
ANGULAR ± .005°	
DRAFT WHERE APPLICABLE MUST REMAIN WITHIN DIMENSIONS	

DIMENSION STYLE IN/MM	
DRAWN BY	DATE
DMYRICK	2005/04/06
CHECKED BY	DATE
RDEROSS	2005/04/06
APPROVED BY	DATE
RDEROSS	2005/04/06
MATERIAL NO. SEE CHART	

SCALE 4:1	DESIGN UNITS INCH	THIRD ANGLE PROJECTION
TITLE RING TONGUE TERMINAL, 16-14 AWG, KRIMPTITE, 900 DEG F (483 DEG C)		
MOLEX MOLEX INCORPORATED		
DOCUMENT NO. SD-19203-017	SHEET NO. 1 OF 1	