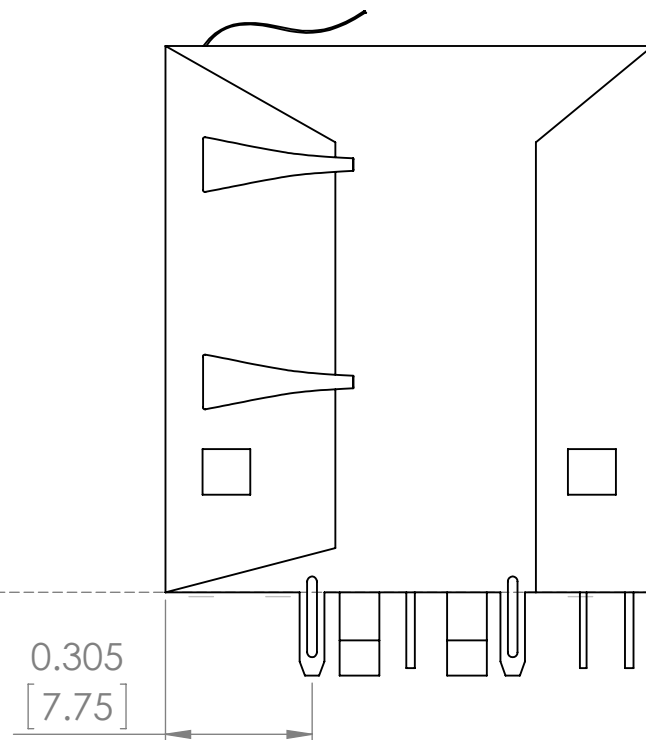
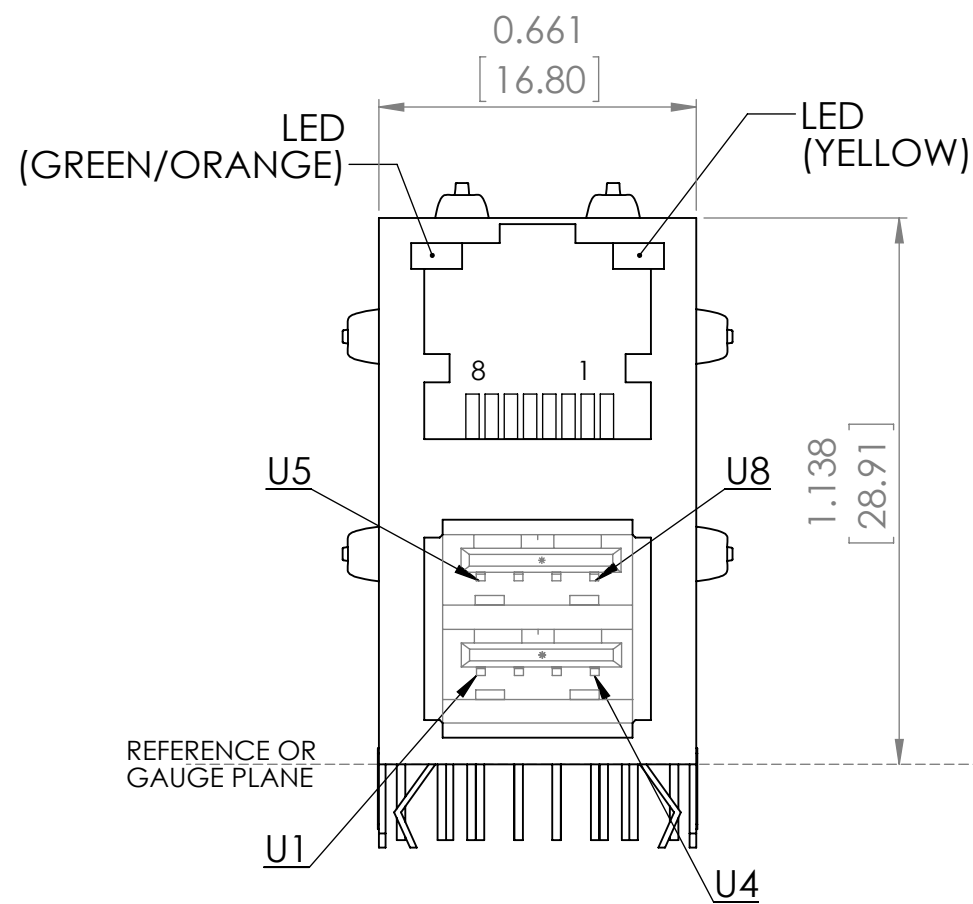
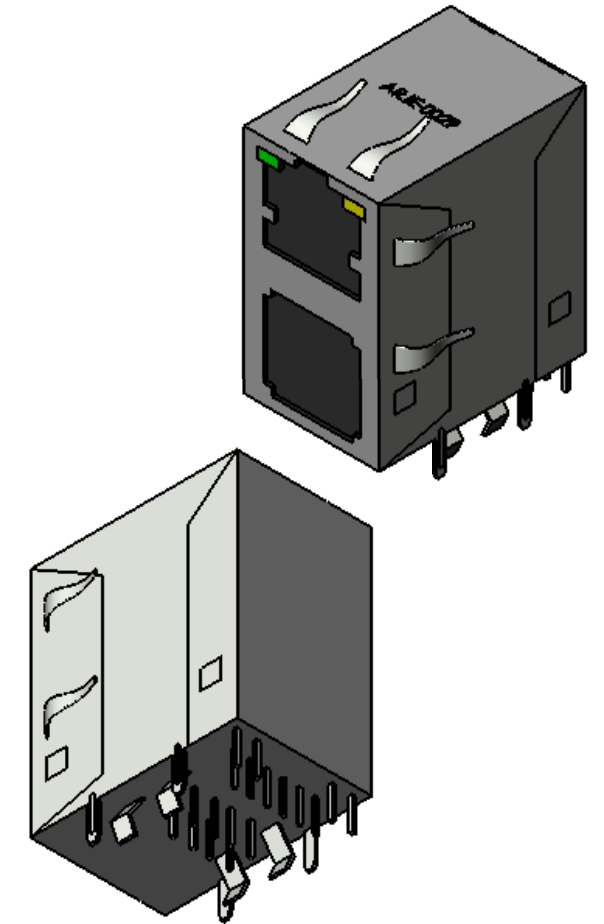



**Recommended hole pattern  
(viewed from component side)**



**TOP PACKAGE MARKING IS  
FOR ILLUSTRATION PURPOSES ONLY**



DO NOT SCALE DRAWING	REVISION	-
		
Apracon LLC, 2 Faraday, Suite#B Irvine, Ca. 92618		
TITLE:	RJ45	
DWG NO.	ARJE-0029	A3
SCALE:2.5:1	SHEET 1 OF 1	