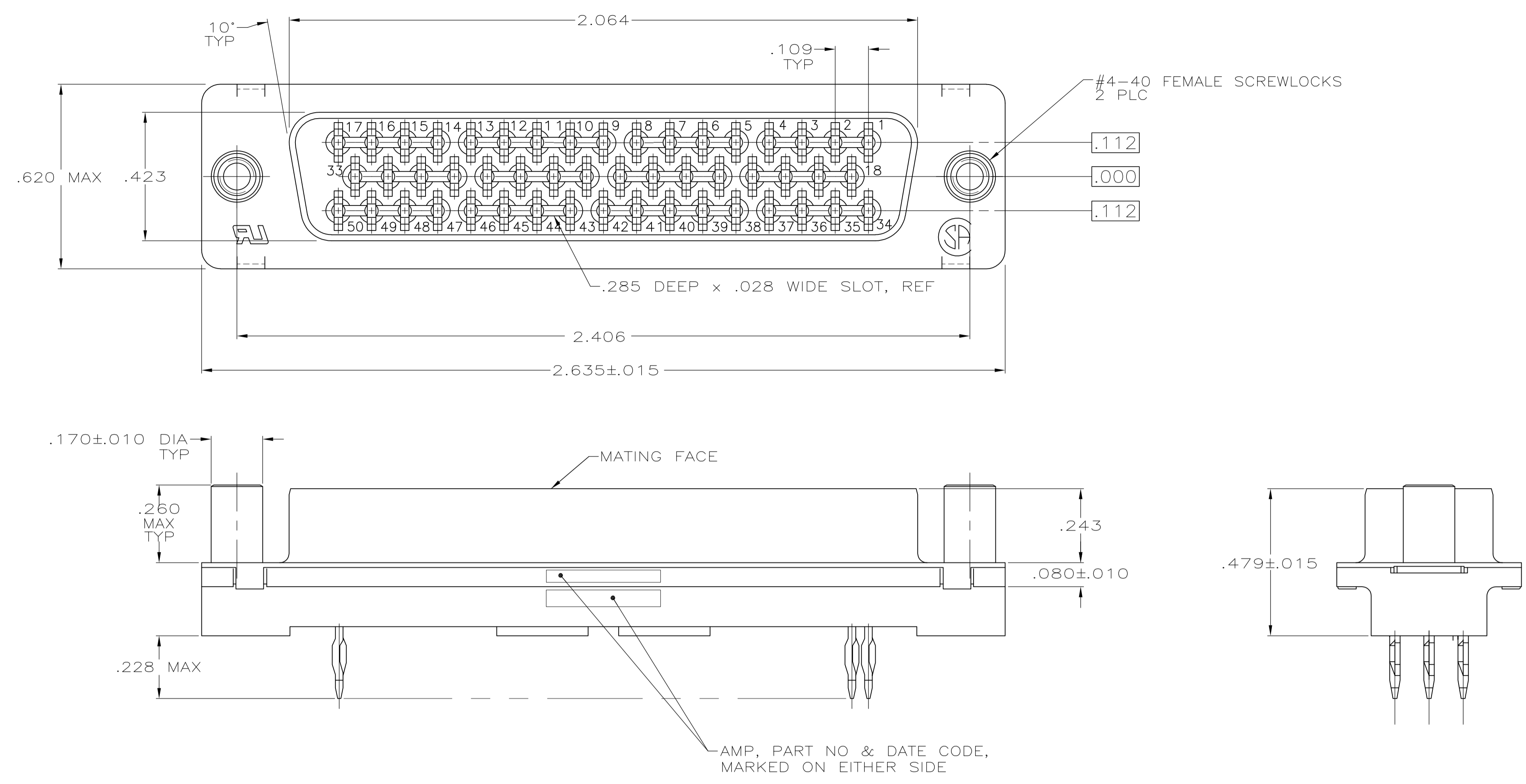


LOC		DIST		REVISIONS			
GP	00	REV	DATE	BY	CHK	APPV	
L	REVISED PER ECO-12-000090		30JAN2012	CJV	SLB		



- 1 FOR USE WITH .093 MINIMUM THICK PRINTED CIRCUIT BOARD. REFER TO APPLICATION SPECIFICATION FOR PRINTED CIRCUIT BOARD LAYOUT DIMENSIONS AND FINISH RECOMMENDATIONS.
- 2 DUPLEX PLATED: GOLD FLASH ON MATING SURFACE, BRIGHT TIN OR BRIGHT TIN LEAD ON COMPLIANT PIN, ALL OVER NICKEL.
- 3 .000030 MINIMUM GOLD IN MATING AREA. .000100 MINIMUM TIN OR TIN-LEAD ON COMPLIANT PIN. ALL OVER .000050 MINIMUM NICKEL. OR GOLD FLASH OVER PALLADIUM NICKEL. .000030 MINIMUM TOTAL IN MATING AREA. .000100 MINIMUM TIN OR TIN-LEAD ON COMPLIANT PIN. ALL OVER .000050 MINIMUM NICKEL.
- 4 SHELL: PLATED .0002-.0004 BRIGHT TIN
- 5. NOTE REMOVED
- 6 MATERIAL: HOUSING: FLAME RETARDANT 94V-0 RATED THERMOPLASTIC; COLOR: BLACK; CONTACTS: COPPER ALLOY; SHELL: CARBON STEEL; SCREWLOCKS: ZINC ALLOY
- 7 SCREWLOCKS: CLEAR TRIVALENT CHROMATE COATING

OBSOLETE	CONTACT FINISH	747145-2	747145-1
		PART NUMBER	

THIS DRAWING IS A CONTROLLED DOCUMENT. DIMENSIONING AND TOLERANCING PER ASME Y14.5M-2009.

DIMENSIONS: INCHES	TOLERANCES UNLESS OTHERWISE SPECIFIED:	DIN D. HARDY 04-12-94	04-26-94
0 PLC ± -	1 PLC ± -	CHK R. STONE 04-26-94	
2 PLC ± -	3 PLC ± .005	APPV M. PERCHERKE 04-26-94	
4 PLC ± -	ANGLES ± -	NAME	RCPT ASSY, SIZE 5, 50 POSN, AMPLIMITE HDP, MDM PROFILE, W/ ACTION PIN CONT & METAL SHELL
		PRODUCT SPEC	108-40014
		APPLICATION SPEC	114-40026
MATERIAL	FINISH	SIZE	CAGE CODE DRAWING NO
6	4 7	A1	00779 C=747145
		WEIGHT	RESTRICTED TO
		CUSTOMER DRAWING	SCALE 4:1 SHEET 1 OF 1 REV