

20 19 18 17 16 15 14 13 12 11 9 8 7 6 5 4 3 2 1

VIEW ON MATING SIDE

⊙	A	A	A	A	A	A	A	A	A	A	A	A	A	A	A	A	A	A	A	A	A	A	A	A	A	A	A	A	A	A	A	A	A	A	A	A	A	
⊙	Z	Z	A	A	A	A	A	A	A	A	A	A	A	A	A	Z	A	A	A	A	A	A	A	A	A	A	A	A	Z	Z	Z	Z	Z	Z	Z	Z	Z	
⊙	A	A	A	A	A	A	A	A	A	A	A	A	A	A	A	A	A	A	A	A	A	A	A	A	A	A	A	A	A	A	A	A	A	A	A	A	A	A
	1	2	3	4	5	6	7	8	9	10	11	12	13	14	15	16	17	18	19	20	21	22	23	24	25	26	27	28	29	30	31	32						

A = 91 STANDARD CONTACTS L = 2,9
 Z = 5 FMLB CONTACTS +0,6 L = 2,9
 S = 96 TOTAL NUMBER OF CONTACTS

MARKING	STANDARD
PERFORMANCE LEVEL	G1/O = CONTACT AREA PERFORM. LEVEL 1 / TERMINATION TIN
FLUX PROOF	NO
FIXING CLIP	NO
DIMENSIONS	SD-85013-0001 SHT 1

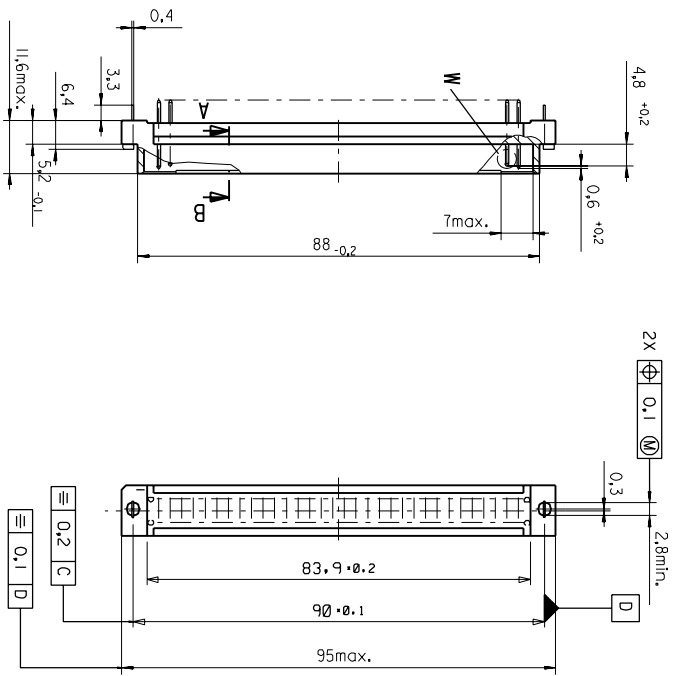
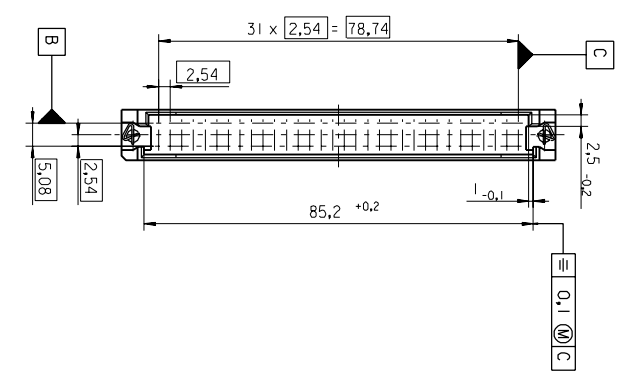
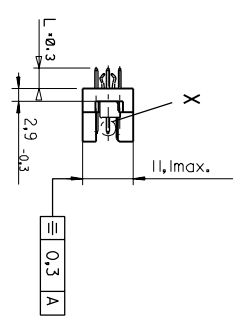
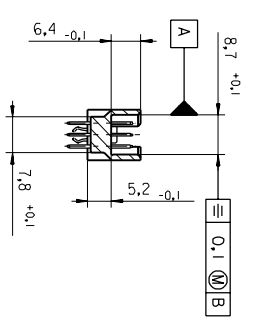
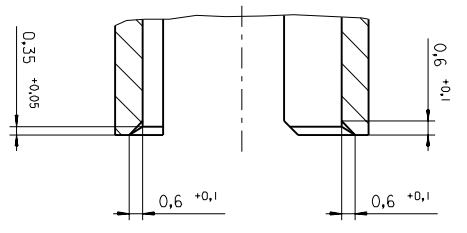
Z	G1/O	b1,2,20,31,32
A	G1/O	a1-32 b3-19,21-30 c1-32
CONTACT SYMBOL	PERFORMANCE LEVEL	CONTACT POSITION NUMBER

EC NO. I 2004-XXXX DRAWN N.S. 31/03/04 CHK'd G.L. 31/03/04 APPR. G.L. 31/03/04	QUALITY SYMBOLS	GENERAL TOLERANCES: (UNLESS SPECIFIED)	SCALE	DESIGN UNITS	DIMENSIONS: <input type="checkbox"/> mm INCH <input type="checkbox"/> mm <input type="checkbox"/> mm <input checked="" type="checkbox"/> mm ONLY	THIRD ANGLE PROJECTION <input type="checkbox"/> mm INCH <input type="checkbox"/> mm ONLY	SHT 1 REV			
	MAJOR	4 PLACES ±0, ±	mm	INCH				DRAWN BY & DATE N.S. 17/09/01 CHECKED BY & DATE G.L. 17/09/01 APPROVED BY & DATE G.L. 17/09/01	TITLE: 96 POS MALE CONNECTOR ACCORDING DIN 41612 STYLE R CONTACTS ARRANGED	REVISION REVISE ON CAD ONLY
	CRITICAL	3 PLACES ±0, ±								
		2 PLACES ±0, ±								
	1 PLACE ±0, ±									
	ANGULAR ±									
B	DESCRIPTION	DRAFT WHERE APPLICABLE MUST REMAIN WITHIN DIMENSIONS	CAD FILENAME	MATERIAL NO.	DRAWING NO.	SHEET NO.	SIZE			
			SD-85013-3093.S0	85013-3093	SD-85013-3093	1 OF 1	D			
THIS DRAWING CONTAINS INFORMATION THAT IS PROPRIETARY TO MOLEX INCORPORATED AND SHOULD NOT BE USED WITHOUT WRITTEN PERMISSION.										

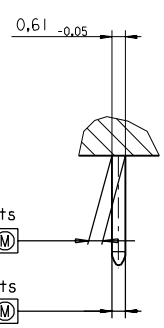
19 18 17 16 15 14 13 12 11 10 9 8 7 6 5 4 3 2 1

PART NO.
DWG. NO.

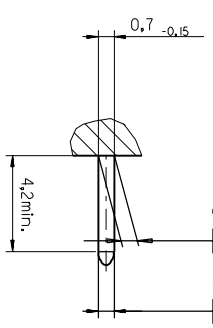
Section A - B
5:1



View X
5:1



View W
5:1



A	first release see ECN No. 1887
LTR	REVISIONS
FOR PREVIOUS REVISIONS SEE MRI LIST	

3 PLACE ± .	±	±	±
2 PLACE ± .	±	±	±
1 PLACE ± .	±	±	±
DRAFT WHERE APPLICABLE MUST REMAIN WITHIN DIMENSIONS			
DESIGN DIMENSION	<input checked="" type="checkbox"/> MM	<input type="checkbox"/> IN.	
EQUIVALENT DIMENSION	<input type="checkbox"/> MM	<input type="checkbox"/> IN.	

FIRST ANGLE PROJECTION	<input checked="" type="checkbox"/>
UNLESS OTHERWISE SPECIFIED TOLERANCES ANGULAR #2	

REVISE ONLY ON CAD SYSTEM	SH. REV.
GRNG BY	SION
CD	SION
CHK'D BY	SION
KN	SION
APP'D BY	SION
SCALE	1:1
PART NO.	MOLEX MOLEX EUROPE
DWG. NO.	SDA-85013-0001
SHEET NO.	1 OF 1
DATE	95/06/07
SIZE	B

96 pos. Male connector
acc. DIN 41612 Style R
Dimensions

View on mating side

○	A	A	A	A	A	A	A	A	A	A	A	A	A	A	A	A	A	A	A	A	A	A	A	A	A	A	A	A	A	A	A	A	A	A	A	A	A	A	A	A	A	A	A	A		
○	Z	Z	A	A	A	A	A	A	A	A	A	A	A	A	A	A	A	Z	A	A	A	A	A	A	A	A	A	A	A	A	A	A	A	A	A	A	A	A	Z	Z						
○	A	A	A	A	A	A	A	A	A	A	A	A	A	A	A	A	A	A	A	A	A	A	A	A	A	A	A	A	A	A	A	A	A	A	A	A	A	A	A	A	A	A	A	A	A	A
	1	2	3	4	5	6	7	8	9	10	11	12	13	14	15	16	17	18	19	20	21	22	23	24	25	26	27	28	29	30	31	32														

A = 91 standard contacts L=2,9
 Z = 5 FMLB contacts +0,6 L=2,9
 S = 96 total number of contacts

Marking	Standard
Performance level	G1/0 = Contact area perform. level I / Termination tin
Flux proof	no
Fixing clip	no
Dimensions	SDA-85013-0001 sht.1
Technical Data	PS-85013-0001

Z	G1/0	b1,2,20,31,32
A	G1/0	a1-32 b3-19,21-30 c1-32
Contact symbol	Perform. level	Contact position number

REVISE ONLY ON CAD SYSTEM SH. REV.

first release see ECN No. 2362	REVISIONS	UNLESS OTHERWISE SPECIFIED TOLERANCES: ANGULAR ±2°		DRWG BY	SIGN	CAD/CAM PROJECT NAME	THIS DRAWING CONTAINS INFORMATION THAT IS PROPRIETARY TO MOLEX INC. & SHOULD NOT BE USED WITHOUT WRITTEN PERMISSION				
		INCH METRIC		Ca							
		3 PLACE ± . ±		CHK'D BY	SIGN						
		2 PLACE ± . ±		KN							
		1 PLACE ± . ±		APP'D BY	SIGN						
DRAFT WHERE APPLICABLE MUST REMAIN WITHIN DIMENSIONS		JB		TITLE		96 pos. Male connector acc. DIN 41612 style R contacts arrangement					
DESIGN DIMENSION <input type="checkbox"/> MM <input type="checkbox"/> IN.	SCALE		MOLEX EUROPE						SHEET NO.	DATE	
EQUIVALENT DIMENSION <input type="checkbox"/> MM <input type="checkbox"/> IN.			PART NO.						1 OF 1 96/12/16		
IF TWO DIMENSIONS ARE SHOWN THE UPPER IS THE DESIGN DIMENSION, LOWER IS SECONDARY		85013-3093			SDA-85013-3093				SIZE		
		A							A		