

MATERIALS AND FINISHES:

J CONTACT BeCu
PLATED GOLD

INSULATOR TEFLON

I PART NO: 73366-0060/73366-0062/73366-0063/73366-0064

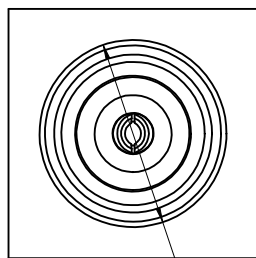
H BODY BRASS
PLATED NICKEL

H PART NO: 73366-0061/73366-0065/73366-0066

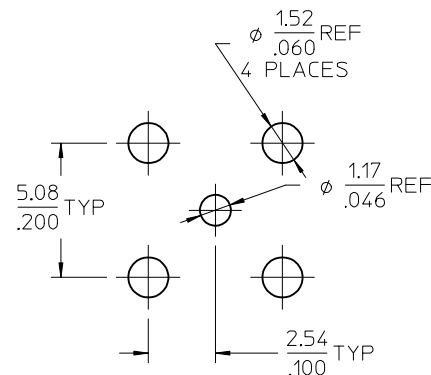
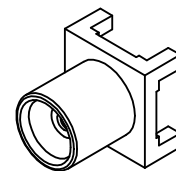
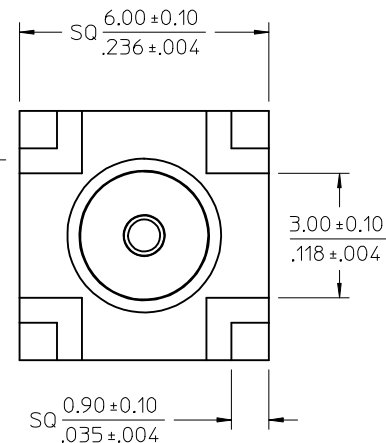
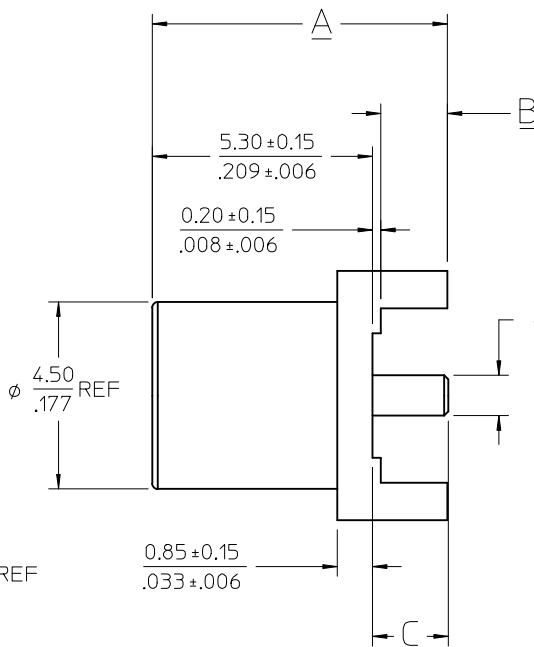
H BODY BRASS
PLATED GOLD

G PART NO 73366-0062/73366-0064/7336-0066
PACKAGING WITH TAPE & REEL
SEE SHEETS 2 & 3 FOR PACKAGING
INSTRUCTIONS

F SEE SD-73366-619 FOR CONTINUATION OF TABULATION



ϕ 4.50
.177 REF



SUGGESTED PCB LAYOUT

73366-0069	.280±.006	7.10±0.15	.062±.006	1.57±0.15	.073±.006	1.86±0.15	1 PC 73366-0061 PER BAG
73366-0068	.280±.006	7.10±0.15	.062±.006	1.57±0.15	.073±.006	1.86±0.15	73366-0060.SMALL TRAY
73366-0067	.280±.006	7.10±0.15	.062±.006	1.57±0.15	.073±.006	1.86±0.15	1 PC 73366-0060 PER BAG
73366-0066	.236±.006	5.99±0.15	.019±.006	0.5±0.15	.031±.006	0.8±0.15	TAPE & REEL
73366-0065	.236±.006	5.99±0.15	.019±.006	0.5±0.15	.031±.006	0.8±0.15	TRAY
73366-0064	.236±.006	5.99±0.15	.019±.006	0.5±0.15	.031±.006	0.8±0.15	TAPE & REEL
73366-0063	.236±.006	5.99±0.15	.019±.006	0.5±0.15	.031±.006	0.8±0.15	TRAY
73366-0062	.280±.006	7.10±0.15	.062±.006	1.57±0.15	.073±.006	1.86±0.15	TAPE & REEL
73366-0061	.280±.006	7.10±0.15	.062±.006	1.57±0.15	.073±.006	1.86±0.15	TRAY
73366-0060	.280±.006	7.10±0.15	.062±.006	1.57±0.15	.073±.006	1.86±0.15	TRAY

	IN	MM	IN	MM	IN	MM	PACKAGE
PART NO.	A		B		C		

PS-73598-0132	ELECTRO/MECH PERFORM.
SPECIFICATION	DESCRIPTION

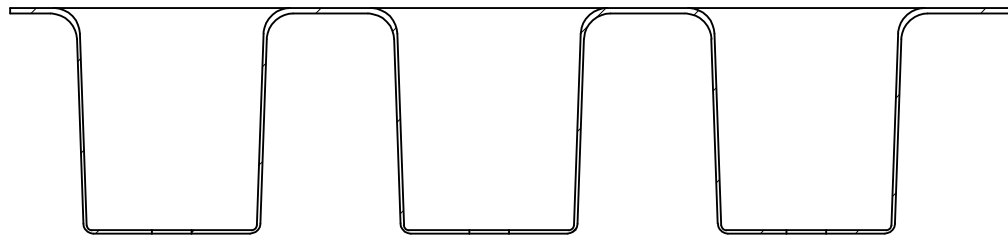
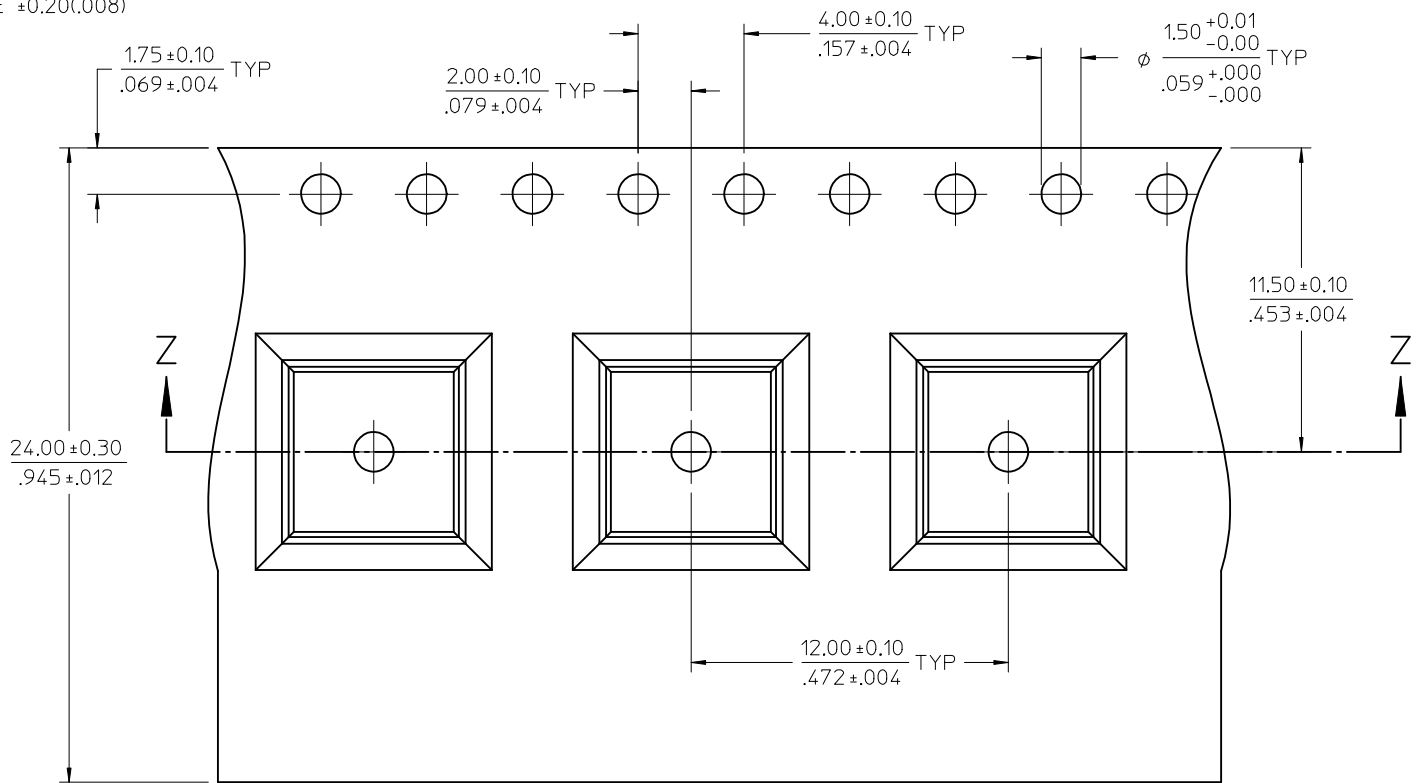
CHANGE PACKAGE 73366-0060/-0061 73366-0063/-0065 TARY WAS BAG PER RF13-E097	EC NO: URF2013-0485	2013/02/27
	DRWNLN	2013/03/05
CHKD:		
APPR:MHUANG		
REV		
B10		

QUALITY SYMBOLS	GENERAL TOLERANCES (UNLESS SPECIFIED)	DIMENSION STYLE	SCALE	DESIGN UNITS	THIRD ANGLE PROJECTION
▽=0	mm INCH	MM/IN	METRIC		
▽=0	4 PLACES ± --- ± ---	DRAWN BY DATE	TITLE		
	3 PLACES ± --- ± ---	LYNN 2001/04/03	MCX JACK VERT PCB TH		
	2 PLACES ± --- ± ---	CHECKED BY DATE	50 OHMS		
	1 PLACE ± --- ± ---	JOHNSON 2001/04/03	MCX-J/PCB EWR-3263		
	ANGULAR ± 2 °	APPROVED BY DATE	MOLEX INCORPORATED		
		MISEN 2001/04/03	MATERIAL NO. SEE TABLE		
			DOCUMENT NO. SD-73366-006		
			SHEET NO. 1 OF 3		

DRAFT WHERE APPLICABLE
MUST REMAIN
WITHIN DIMENSIONS

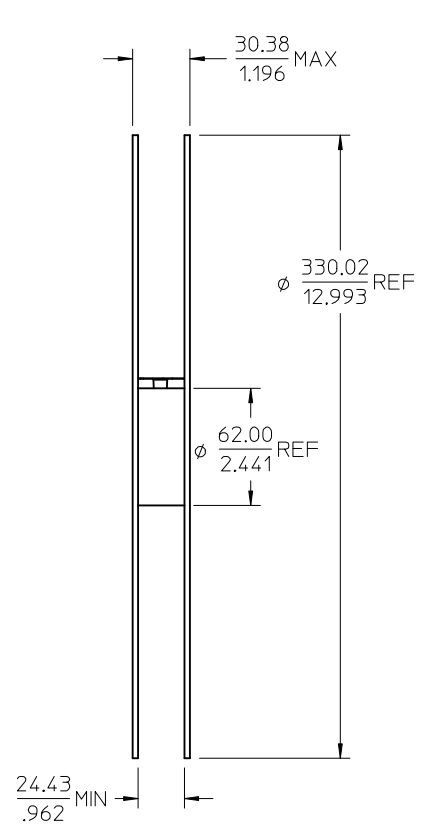
THIS DRAWING CONTAINS INFORMATION THAT IS PROPRIETARY TO MOLEX
INCORPORATED AND SHOULD NOT BE USED WITHOUT WRITTEN PERMISSION

NOTE:
 1. 10 PITCHES CUMULATIVE TOLERANCE ±0.20(.008)

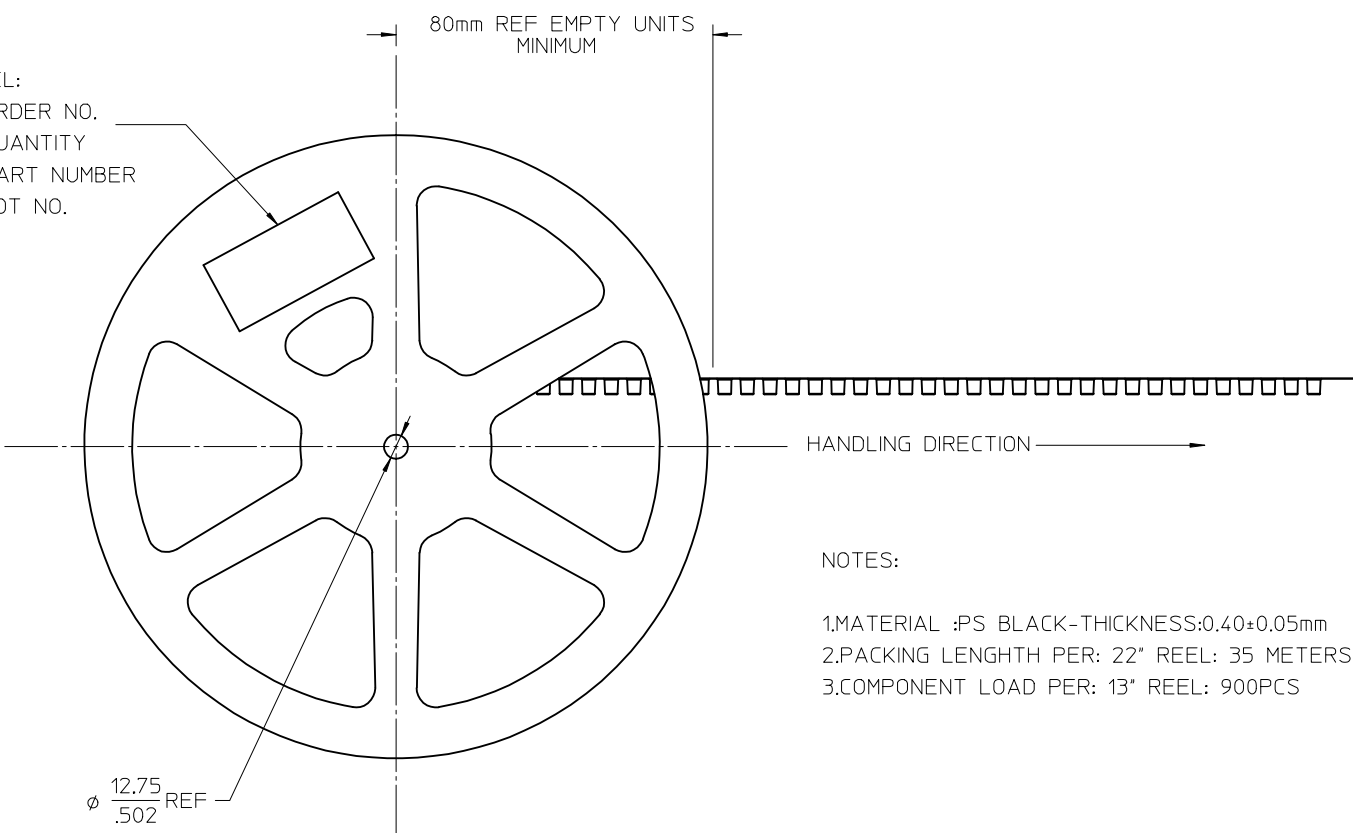


SECTION Z-Z

CHG: SEE SHEET 1 EEC NO: URF2013-0485 DRW: NELIN CHKD: APPR: MHIANG 2013/02/27 2013/03/05 DESCRIPTION REV B10	QUALITY SYMBOLS ▽=0 ▽=0	GENERAL TOLERANCES (UNLESS SPECIFIED) <table border="1"> <thead> <tr> <th></th> <th>mm</th> <th>INCH</th> </tr> </thead> <tbody> <tr> <td>4 PLACES</td> <td>± ---</td> <td>± ---</td> </tr> <tr> <td>3 PLACES</td> <td>± ---</td> <td>± ---</td> </tr> <tr> <td>2 PLACES</td> <td>± ---</td> <td>± ---</td> </tr> <tr> <td>1 PLACE</td> <td>± ---</td> <td>± ---</td> </tr> </tbody> </table>		mm	INCH	4 PLACES	± ---	± ---	3 PLACES	± ---	± ---	2 PLACES	± ---	± ---	1 PLACE	± ---	± ---	DIMENSION STYLE MM/IN DRAWN BY: LYNN DATE: 2001/04/03 CHECKED BY: JOHNSON DATE: 2001/04/03 APPROVED BY: MISEN DATE: 2001/04/03	SCALE METRIC TITLE MCX JACK VERT PCB TH 50 OHMS MCX-J/PCB EWR-3263	DESIGN UNITS METRIC THIRD ANGLE PROJECTION
		mm	INCH																	
	4 PLACES	± ---	± ---																	
	3 PLACES	± ---	± ---																	
2 PLACES	± ---	± ---																		
1 PLACE	± ---	± ---																		
DRAFT WHERE APPLICABLE MUST REMAIN WITHIN DIMENSIONS	MATERIAL NO. SEE SHEET 1	DOCUMENT NO. SD-73366-006	SHEET NO. 2 OF 3																	
SIZE THIS DRAWING CONTAINS INFORMATION THAT IS PROPRIETARY TO MOLEX INCORPORATED AND SHOULD NOT BE USED WITHOUT WRITTEN PERMISSION				MOLEX INCORPORATED																



LABEL:
 - ORDER NO.
 - QUANTITY
 - PART NUMBER
 - LOT NO.



NOTES:
 1.MATERIAL :PS BLACK-THICKNESS:0.40±0.05mm
 2.PACKING LENGTH PER: 22" REEL: 35 METERS
 3.COMPONENT LOAD PER: 13" REEL: 900PCS

CHG: SEE SHEET 1 EC NO: URF2013-0485 DRWNLIN 2013/02/27 CHKD: APPR:MHUANG 2013/03/05	QUALITY SYMBOLS ▽=0 ▽=0	GENERAL TOLERANCES (UNLESS SPECIFIED)		DIMENSION STYLE MM/IN	SCALE METRIC	DESIGN UNITS METRIC	THIRD ANGLE PROJECTION		
		4 PLACES ± --- ± ---	3 PLACES ± --- ± ---	DRAWN BY LYNN	DATE 2001/04/03	TITLE MCX JACK VERT PCB TH 50 OHMS MCX-J/PCB EWR-3263			
		2 PLACES ± --- ± ---	1 PLACE ± --- ± ---	CHECKED BY JOHNSON	DATE 2001/04/03	MOLEX INCORPORATED			
		ANGULAR ± 2 °		APPROVED BY MISEN	DATE 2001/04/03	MATERIAL NO. SEE SHEET 1	DOCUMENT NO. SD-73366-006	SHEET NO. 3 OF 3	
DRAFT WHERE APPLICABLE MUST REMAIN WITHIN DIMENSIONS		SIZE C		THIS DRAWING CONTAINS INFORMATION THAT IS PROPRIETARY TO MOLEX INCORPORATED AND SHOULD NOT BE USED WITHOUT WRITTEN PERMISSION					