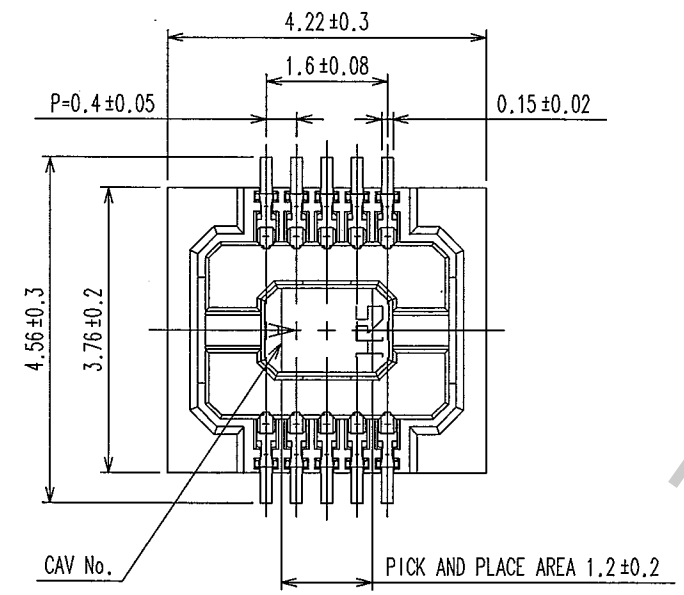
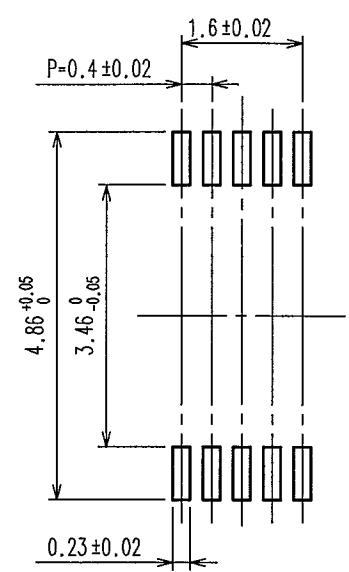


Apr.1.2017 Copyright 2017 HIROSE ELECTRIC CO., LTD. All Rights Reserved.

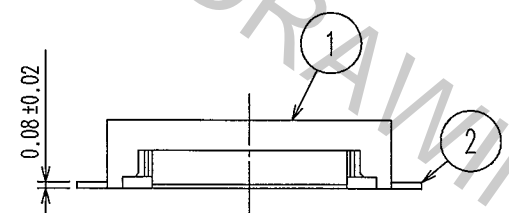
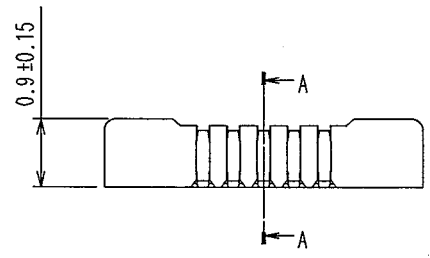
| COUNT | DESCRIPTION OF REVISIONS | BY | CHKD | DATE | COUNT | DESCRIPTION OF REVISIONS | BY | CHKD | DATE |
|-------|--------------------------|----|------|------|-------|--------------------------|----|------|------|
| | | | | | | | | | |
| | | | | | | | | | |
| | | | | | | | | | |



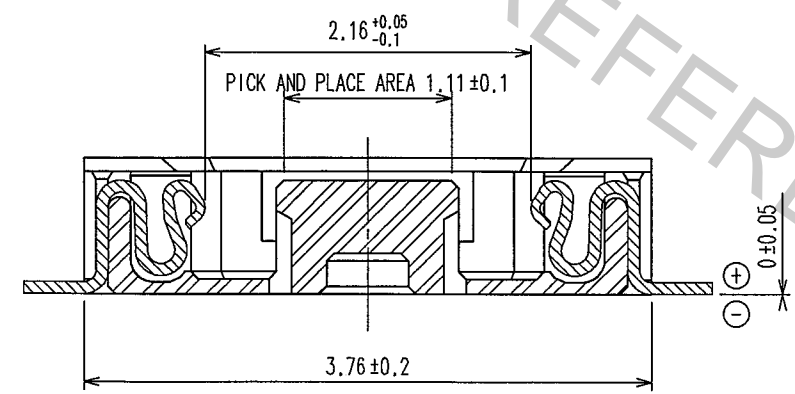
RECOMMENDED PATTERN



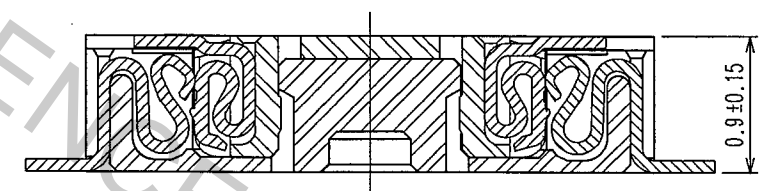
RECOMMENDED SOLDER PASTE THICKNESS : 120μm



A-A(20:1)



ENGAGEMENT FIGURE(20:1)



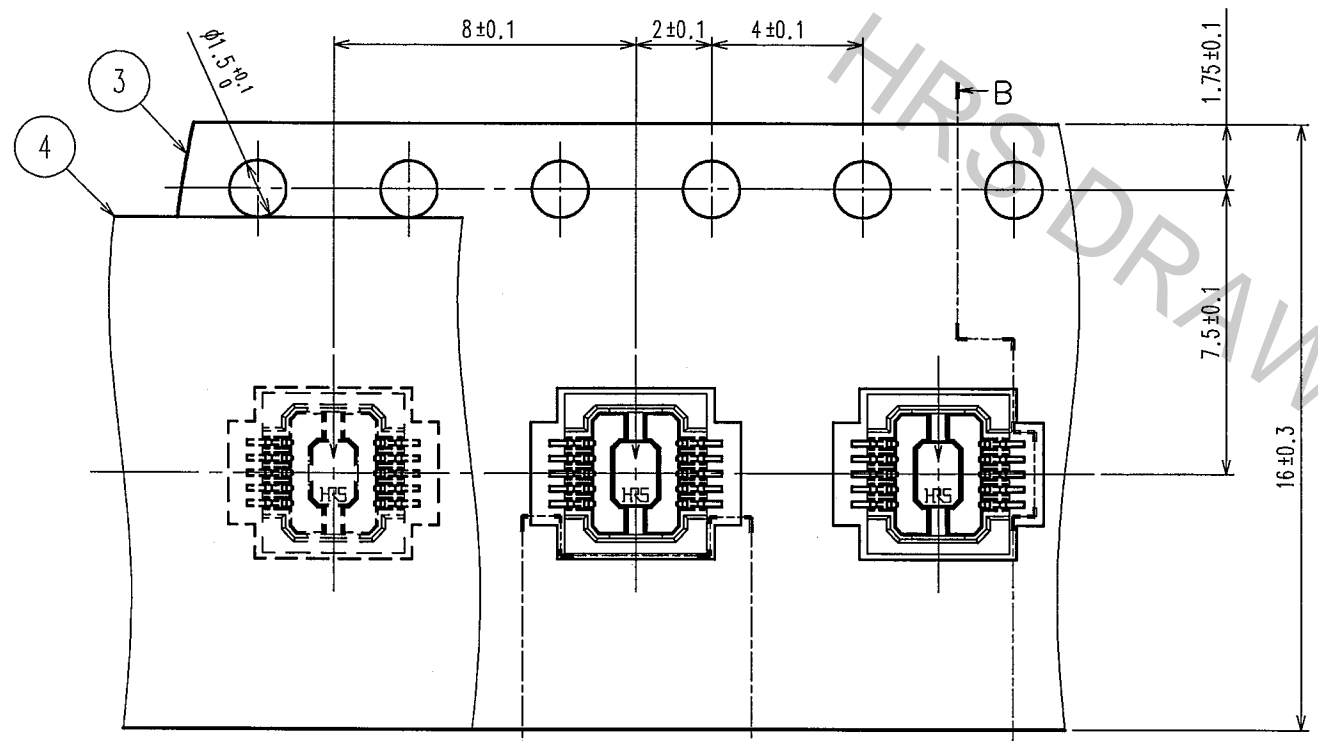
- NOTE 1. ALL LEADS CO-PLANARITY SHALL BE 0.1 MAX.
 2. PER REEL : 5000 CONNECTORS.
 3. AT THE BEGINNING OF THE REEL, 100 mm AT MIN SHALL BE EMPTY POCKETS.
 AT THE END OF THE REEL, 160 mm AT MIN SHALL BE EMPTY POCKETS.
 4. CONTACT PLATING SPECIFICATIONS.
 CONTACT AREA : GOLD 0.05μm MIN.
 SMT LEAD : GOLD 0.02μm MIN.
 UNDERPLATING : NICKEL 1μm MIN.
 (SURFACE : SEALING)

| | | | | | |
|----------------|--------------------------|-----------------|----------------------|-------------|----------------------|
| 2 | PHOSPHOR BRONZE | 4 | 5 | PS | PLASTIC REEL (BLACK) |
| 1 | LCP | UL94V-0, BLACK | 4 | POLYESTER | CLEAR (COVER TAPE) |
| NO. | MATERIAL | FINISH, REMARKS | NO. | MATERIAL | FINISH, REMARKS |
| CODE NO. (OLD) | DRAWN | | DESIGNED | CHECKED | APPROVED |
| | T.Arai | | T. Yamamoto | T. Miyazaki | K. Akeda |
| | '08.03.22 | | '08.3.22 | '08.03.22 | '08.03.22 |
| SCALE | DRAWING NO. | | PART NO. | | |
| 10 : 1 | EDC3-317072-01 | | DF30FC-10DS-0.4V(81) | | |
| UNITS | HIROSE ELECTRIC CO., LTD | | CODE NO. | | |
| mm | HRS | | CL684-1311-9-81 | | |

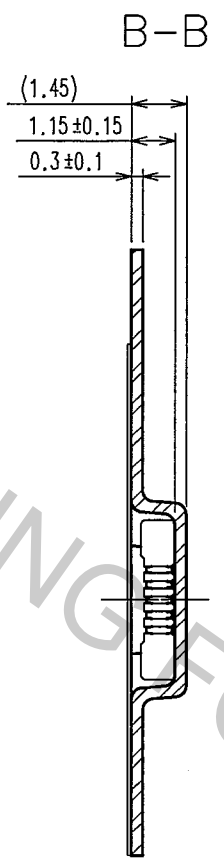
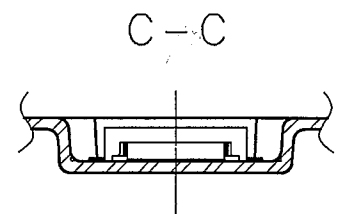
| |
|----|
| TO |
| |
| |
| |

Apr.1.2017 Copyright 2017 HIROSE ELECTRIC CO., LTD. All Rights Reserved.

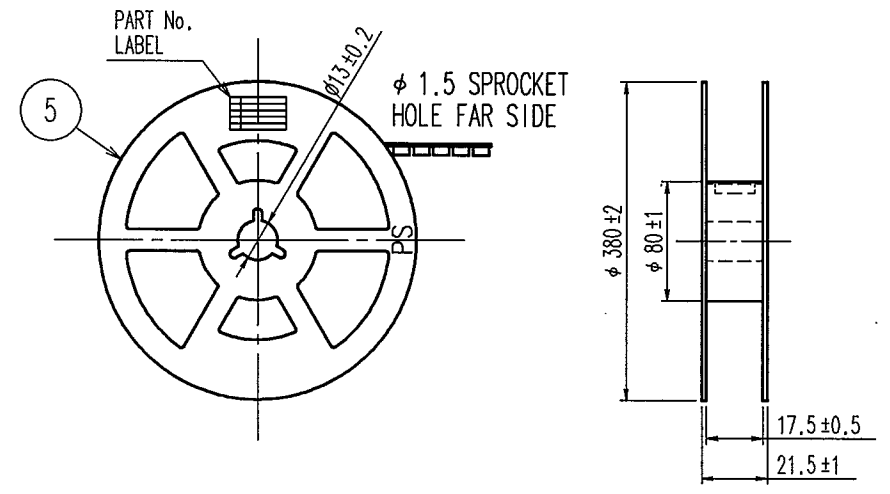
| COUNT | DESCRIPTION OF REVISIONS | BY | CHKD | DATE | COUNT | DESCRIPTION OF REVISIONS | BY | CHKD | DATE |
|-------|--------------------------|----|------|------|-------|--------------------------|----|------|------|
| △ | | | | | △ | | | | |
| △ | | | | | △ | | | | |
| △ | | | | | △ | | | | |



→
DIRECTION OF UNREELING



STYLE AND DIMENSION OF REEL (FREE SIZE)



DETAIL OF PART NO. LABEL

| | |
|----------------------|----------------------|
| SUPPLIER | CL684-1311-9-81 |
| QUANTITY | 5000個 |
| PART NO. | DF30FC-10DS-0.4V(81) |
| CODE NO. | CL684-1311-9-81 |
| DATE OF MANUFACTURED | 08.03.22 |
| 生産月日 | 年 月 日 |
| 図番 | CL684-1311-9-81 |
| 品名 | DF30FC-10DS-0.4V(81) |
| 納入数量 | 5000個 |
| 納入者 | ヒロセ電機(株) |

| |
|----|
| TO |
| |
| |
| |

| | | | | | |
|----------------|-------------------------------|------------------------------------|------------------------------------|----------------------------------|----------|
| CODE NO. (OLD) | DRAWN T.Arai '08.03.22 | DESIGNED J. Yamamoto 08.3.22 | CHECKED T. Miyajaki 08.03.22 | APPROVED K. Ikeda 08.03.22 | RELEASED |
| SCALE 5 : 1 | DRAWING NO. EDC3-317072-01 | | PART NO. DF30FC-10DS-0.4V(81) | | |
| UNITS mm | HIROSE ELECTRIC CO., LTD | | CODE NO. CL684-1311-9-81 | 2 | |