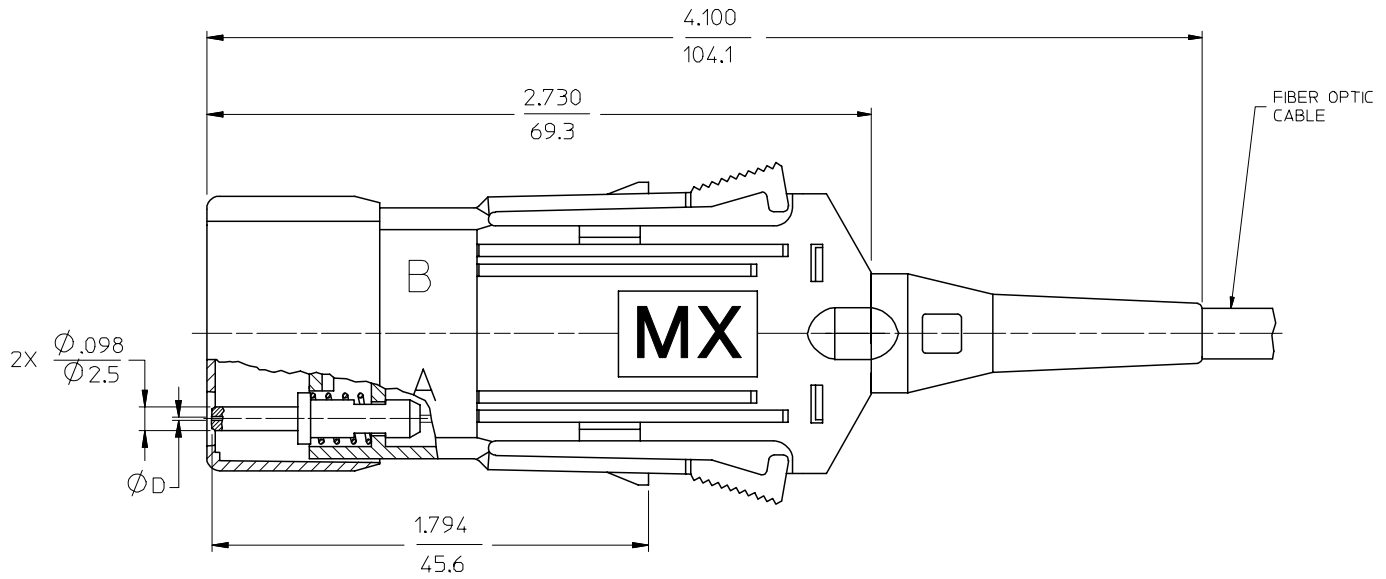
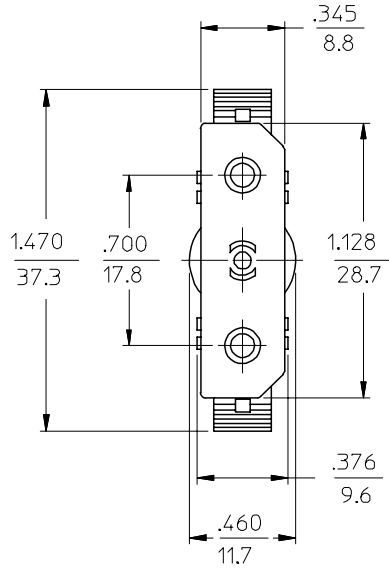


P/N of CONNECTOR	ØD (µm)	MATERIAL of FERRULE	TYPE of CABLE
106040-0000	127	Zr PLUS	Ø4.2 mm
106040-0100			Ø4.8 mm
106040-0200			ZIPCORD
106040-3000	128	Zr	Ø4.2 mm
106040-3100			Ø4.8 mm
106040-3200			ZIPCORD



ENTER DESCRIPTION EC NO: MF2006-0283 DRWN:PGIBLIN CHKD: APPR:IGUMIN 2005/11/28 2005/11/28 2005/11/28	QUALITY SYMBOLS ▽=0 ▽=0	GENERAL TOLERANCES (UNLESS SPECIFIED)		DIMENSION STYLE IN/MM	SCALE 2:1	DESIGN UNITS INCH	THIRD ANGLE PROJECTION	
		4 PLACES ± --- ± ---	3 PLACES ± --- ± ---	DRAWN BY PGIBLIN	DATE 2005/10/26	TITLE ESCON CONNECTOR		
		2 PLACES ± --- ± ---	1 PLACE ± --- ± ---	CHECKED BY	DATE	APPROVED BY		
		ANGULAR ±1/2°		MATERIAL NO. SEE TABLE		DOCUMENT NO. SD-106040-XX00		SHEET NO. 1 OF 01
DRAFT WHERE APPLICABLE MUST REMAIN WITHIN DIMENSIONS		THIS DRAWING CONTAINS INFORMATION THAT IS PROPRIETARY TO MOLEX INCORPORATED AND SHOULD NOT BE USED WITHOUT WRITTEN PERMISSION						