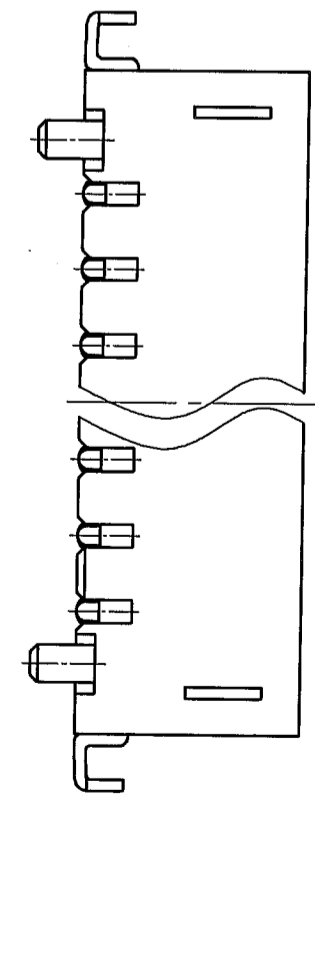
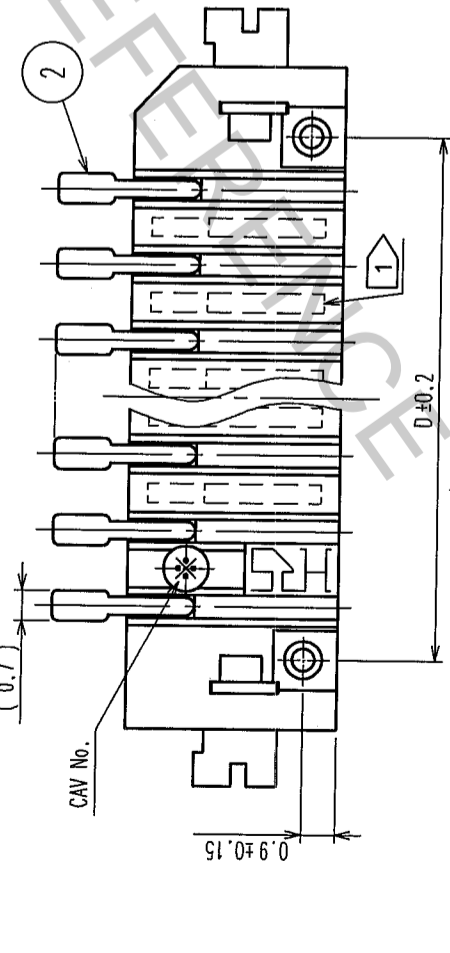
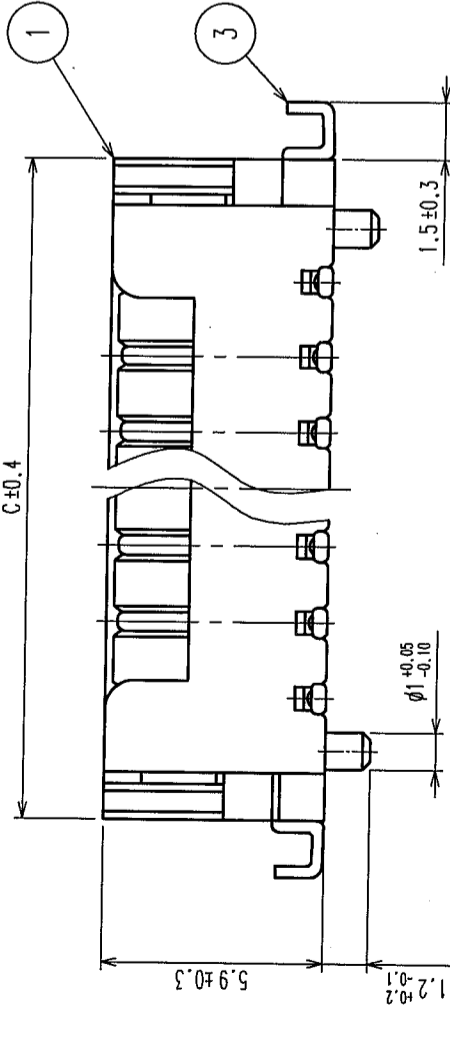
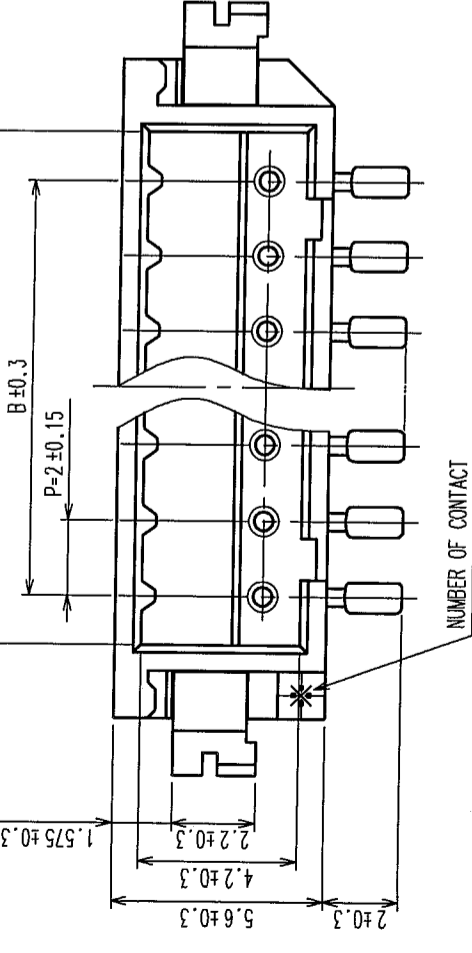
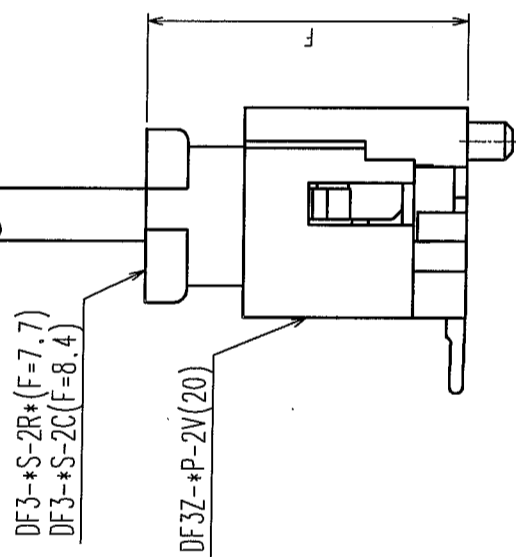
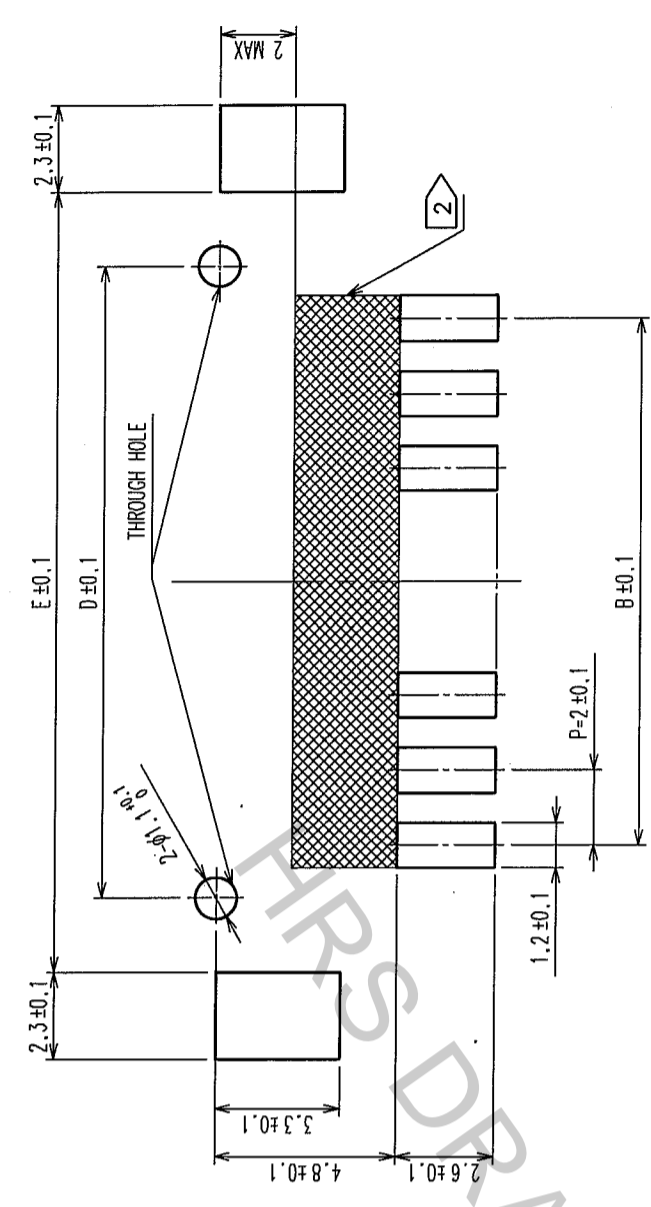


COUNT	DESCRIPTION OF REVISIONS	BY	CHKD	DATE	COUNT	DESCRIPTION OF REVISIONS	BY	CHKD	DATE
1	RE-H-06193	I.D	H.U	'04.04.13					
2	RE-H-06617	I.D	T.M	'04.11.29					

MATED CONNECTORS



RECOMMENDED PATTERN



PART NO.	CODE NO.	A	B	C	D	E
DF3Z- 2P-2V(20)	CL543-1028-4-20	4.6	2.0	8.5	4.8	8.74
DF3Z- 3P-2V(20)	CL543-1029-7-20	6.6	4.0	10.5	6.8	10.74
DF3Z- 4P-2V(20)	CL543-1030-6-20	8.6	6.0	12.5	8.8	12.74
DF3Z- 5P-2V(20)	CL543-1031-9-20	10.6	8.0	14.5	10.8	14.74
DF3Z- 6P-2V(20)	CL543-1032-1-20	12.6	10.0	16.5	12.8	16.74
DF3Z- 7P-2V(20)	CL543-1033-4-20	14.6	12.0	18.5	14.8	18.74
DF3Z- 8P-2V(20)	CL543-1034-7-20	16.6	14.0	20.5	16.8	20.74
DF3Z- 9P-2V(20)	CL543-1035-0-20	18.6	16.0	22.5	18.8	22.74
DF3Z-10P-2V(20)	CL543-1036-2-20	20.6	18.0	24.5	20.8	24.74
DF3Z-11P-2V(20)	CL543-1037-5-20	22.6	20.0	26.5	22.8	26.74
DF3Z-12P-2V(20)	CL543-1038-5-20	24.6	22.0	28.5	24.8	28.74
DF3Z-13P-2V(20)	CL543-1039-0-20	26.6	24.0	30.5	26.8	30.74
DF3Z-14P-2V(20)	CL543-1040-0-20	28.6	26.0	32.5	28.8	32.74
DF3Z-15P-2V(20)	CL543-1041-2-20	30.6	28.0	34.5	30.8	34.74

NOTES

- WHEN THE NUMBER OF CONTACT IS 2 TO 10, THIS PART IS FREE FROM SINKAGE INDICATING DOTTED LINES.
- WHEN THE NUMBER OF CONTACT IS 11 TO 15, THERE ARE SINKAGES INDICATING DOTTED LINES.
- IF THERE IS PATTERN ON PART, THERE IS A POSSIBILITY THAT IS WILL MAKE CONTACT WITH THE LEADS. LEAD CO-PLANARITY INCLUDE REINFORCED METAL FITTINGS SHALL BE 0.1mm MAX.

NO.	MATERIAL	FINISH, REMARKS	DRAWN	DESIGNED	CHECKED	APPROVED	REMARKS
2	BRASS	SURFACE:TIN PLATED 1μm min (UNDER PLATING)COPPER PLATED 0.5μm min					
1	POLYAMIDE	BEIGE, UL94V-0					
NO.	MATERIAL	FINISH, REMARKS	DRAWN	DESIGNED	CHECKED	APPROVED	REMARKS
CL			M.Nakamoto	H.Umehara	T.Miyazaki	T.Oma	
			'04.03.25	'04.03.25	'04.03.25	'04.03.25	

5	S.PVC	GRAY
4	RIGID POLYVINYLCHLORIDE <td>ELECTROSTATIC PROTECTION, CLEAR </td>	ELECTROSTATIC PROTECTION, CLEAR
3	BRASS <td>SURFACE:TIN PLATED 1μm min (UNDER PLATING)NICKEL PLATED 1μm min</td>	SURFACE:TIN PLATED 1μm min (UNDER PLATING)NICKEL PLATED 1μm min

DRAWING NO.	PART NO.
EDC3-305939-10	DF3Z-*P-2V(20)

SCALE	UNITS
5 : 1	mm

CODE NO.	CL543-
1/2	

