

PLEASE CHECK WWW.MOLEX.COM FOR LATEST PART INFORMATION

Part Number: [62300-5200](#)
Status: **Active**
Description: Hawk™ Flat Flex Cable Terminator with Break-off

Documents:

[RoHS Certificate of Compliance \(PDF\)](#)

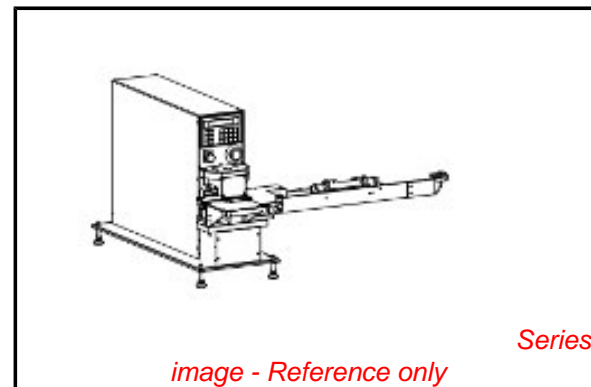
General

Product Family	Application Tooling
Series	T3010
Function	Insulation Displacement (IDT)
Geographic Area	Global
Level of Automation	Semi-Automatic
More Detailed Tech Information	applicationtooling@molex.com
Product Name	Hawk™
Survey	www.molex.com//review/apptool_survey.html
Tool Type	Terminator
UPC	800753288225

Material Info

Reference - Drawing Numbers

Application Tooling Documents	TM-623002900
-------------------------------	--------------



EU RoHS **China RoHS**

Compliance Status

Not Reviewed

REACH SVHC

Not Reviewed

Low-Halogen Status

Not Reviewed

Need more information on product environmental compliance?

Email productcompliance@molex.com
 For a multiple part number RoHS Certificate of Compliance, [click here](#)

Please visit the [Contact Us](#) section for any non-product compliance questions.

Search Parts in this Series

[T3010Series](#)

Use With

[70400 C-Grid SL™ IDT Connectors](#)

Application Tooling	FAQ
Description	Product #

2.54mm Pitch SL™ Insulation Displacement Connector Assembly, Female, Single Row, Version G, Positive Lock, Wire Size 24 AWG, 0.38µm Gold (Au), 2 Circuits	0014562022
2.54mm Pitch SL™ Insulation Displacement Connector Assembly, Female, Single Row, Version G, Positive Lock, Wire Size 26	0014562024

AWG, 0.38µm Gold
(Au), 2 Circuits
2.54mm Pitch 0014562028
SL™ Insulation
Displacement
Connector Assembly,
Female, Single Row,
Version G, Positive
Lock, Wire Size 24
AWG, 0.76µm Gold
(Au), 2 Circuits
2.54mm Pitch 0014562032
SL™ Insulation
Displacement
Connector Assembly,
Female, Single Row,
Version G, Positive
Lock, Wire Size 24
AWG, 0.38µm Gold
(Au), 3 Circuits
2.54mm Pitch 0014562034
SL™ Insulation
Displacement
Connector Assembly,
Female, Single Row,
Version G, Positive
Lock, Wire Size 26
AWG, 0.38µm Gold
(Au), 3 Circuits
2.54mm Pitch 0014562042
SL™ Insulation
Displacement
Connector Assembly,
Female, Single Row,
Version G, Positive
Lock, Wire Size 24
AWG, 0.38µm Gold
(Au), 4 Circuits
2.54mm Pitch 0014562044
SL™ Insulation
Displacement
Connector Assembly,
Female, Single Row,
Version G, Positive
Lock, Wire Size 26
AWG, 0.38µm Gold
(Au), 4 Circuits
2.54mm Pitch 0014562052
SL™ Insulation
Displacement
Connector Assembly,
Female, Single Row,
Version G, Positive
Lock, Wire Size 24
AWG, 0.38µm Gold
(Au), 5 Circuits
2.54mm Pitch 0014562054
SL™ Insulation
Displacement
Connector Assembly,
Female, Single Row,
Version G, Positive
Lock, Wire Size 26
AWG, 0.38µm Gold
(Au), 5 Circuits

2.54mm Pitch	0014562062
SL™ Insulation	
Displacement	
Connector Assembly,	
Female, Single Row,	
Version G, Positive	
Lock, Wire Size 24	
AWG, 0.38µm Gold	
(Au), 6 Circuits	
2.54mm Pitch	0014562064
SL™ Insulation	
Displacement	
Connector Assembly,	
Female, Single Row,	
Version G, Positive	
Lock, Wire Size 26	
AWG, 0.38µm Gold	
(Au), 6 Circuits	
2.54mm Pitch	0014562072
SL™ Insulation	
Displacement	
Connector Assembly,	
Female, Single Row,	
Version G, Positive	
Lock, Wire Size 24	
AWG, 0.38µm Gold	
(Au), 7 Circuits	
2.54mm Pitch	0014562074
SL™ Insulation	
Displacement	
Connector Assembly,	
Female, Single Row,	
Version G, Positive	
Lock, Wire Size 26	
AWG, 0.38µm Gold	
(Au), 7 Circuits	
2.54mm Pitch	0014562078
SL™ Insulation	
Displacement	
Connector Assembly,	
Female, Single Row,	
Version G, Positive	
Lock, Wire Size 24	
AWG, 0.76µm Gold	
(Au), 7 Circuits	
2.54mm Pitch	0014562082
SL™ Insulation	
Displacement	
Connector Assembly,	
Female, Single Row,	
Version G, Positive	
Lock, Wire Size 24	
AWG, 0.38µm Gold	
(Au), 8 Circuits	
2.54mm Pitch	0014562084
SL™ Insulation	
Displacement	
Connector Assembly,	
Female, Single Row,	
Version G, Positive	
Lock, Wire Size 26	
AWG, 0.38µm Gold	
(Au), 8 Circuits	
2.54mm Pitch	0014562092
SL™ Insulation	

Displacement
Connector Assembly,
Female, Single Row,
Version G, Positive
Lock, Wire Size 24
AWG, 0.38µm Gold
(Au), 9 Circuits
2.54mm Pitch 0014562102
SL™ Insulation

Displacement
Connector Assembly,
Female, Single Row,
Version G, Positive
Lock, Wire Size 24
AWG, 0.38µm Gold
(Au), 10 Circuits
2.54mm Pitch 0014562103
SL™ Insulation

Displacement
Connector Assembly,
Female, Single
Row, Version A,
Nonpolarized, Wire
Size 26 AWG,
0.38µm Gold (Au),
10 Circuits
2.54mm Pitch 0014562108
SL™ Insulation

Displacement
Connector Assembly,
Female, Single Row,
Version G, Positive
Lock, Wire Size 24
AWG, 0.76µm Gold
(Au), 10 Circuits
2.54mm Pitch 0014562114
SL™ Insulation

Displacement
Connector Assembly,
Female, Single Row,
Version G, Positive
Lock, Wire Size 26
AWG, 0.38µm Gold
(Au), 11 Circuits
2.54mm Pitch 0014562118
SL™ Insulation

Displacement
Connector Assembly,
Female, Single Row,
Version G, Positive
Lock, Wire Size 24
AWG, 0.76µm Gold
(Au), 11 Circuits
2.54mm Pitch 0014562122
SL™ Insulation

Displacement
Connector Assembly,
Female, Single Row,
Version G, Positive
Lock, Wire Size 24
AWG, 0.38µm Gold
(Au), 12 Circuits
2.54mm Pitch 0014562132
SL™ Insulation

Displacement

Connector Assembly,
Female, Single Row,
Version G, Positive
Lock, Wire Size 24
AWG, 0.38µm Gold
(Au), 13 Circuits
2.54mm Pitch 0014562134
SL™ Insulation
Displacement
Connector Assembly,
Female, Single Row,
Version G, Positive
Lock, Wire Size 26
AWG, 0.38µm Gold
(Au), 13 Circuits
2.54mm Pitch 0014562142
SL™ Insulation
Displacement
Connector Assembly,
Female, Single Row,
Version G, Positive
Lock, Wire Size 24
AWG, 0.38µm Gold
(Au), 14 Circuits
2.54mm Pitch 0014562144
SL™ Insulation
Displacement
Connector Assembly,
Female, Single Row,
Version G, Positive
Lock, Wire Size 26
AWG, 0.38µm Gold
(Au), 14 Circuits
2.54mm Pitch 0014562152
SL™ Insulation
Displacement
Connector Assembly,
Female, Single Row,
Version G, Positive
Lock, Wire Size 24
AWG, 0.38µm Gold
(Au), 15 Circuits
2.54mm Pitch 0014562154
SL™ Insulation
Displacement
Connector Assembly,
Female, Single Row,
Version G, Positive
Lock, Wire Size 26
AWG, 0.38µm Gold
(Au), 15 Circuits
2.54mm Pitch 0014562158
SL™ Insulation
Displacement
Connector Assembly,
Female, Single Row,
Version G, Positive
Lock, Wire Size 24
AWG, 0.76µm Gold
(Au), 15 Circuits
2.54mm Pitch 0014562162
SL™ Insulation
Displacement
Connector Assembly,
Female, Single Row,

Version G, Positive
Lock, Wire Size 24
AWG, 0.38µm Gold
(Au), 16 Circuits
2.54mm Pitch 0014562164
SL™ Insulation
Displacement
Connector Assembly,
Female, Single Row,
Version G, Positive
Lock, Wire Size 26
AWG, 0.38µm Gold
(Au), 16 Circuits
2.54mm Pitch 0014562182
SL™ Insulation
Displacement
Connector Assembly,
Female, Single Row,
Version G, Positive
Lock, Wire Size 24
AWG, 0.38µm Gold
(Au), 18 Circuits
2.54mm Pitch 0014562194
SL™ Insulation
Displacement
Connector Assembly,
Female, Single Row,
Version G, Positive
Lock, Wire Size 26
AWG, 0.38µm Gold
(Au), 19 Circuits
2.54mm Pitch 0014562202
SL™ Insulation
Displacement
Connector Assembly,
Female, Single Row,
Version G, Positive
Lock, Wire Size 24
AWG, 0.38µm Gold
(Au), 20 Circuits
2.54mm Pitch 0014562214
SL™ Insulation
Displacement
Connector Assembly,
Female, Single Row,
Version G, Positive
Lock, Wire Size 26
AWG, 0.38µm Gold
(Au), 21 Circuits
2.54mm Pitch 0014562222
SL™ Insulation
Displacement
Connector Assembly,
Female, Single Row,
Version G, Positive
Lock, Wire Size 24
AWG, 0.38µm Gold
(Au), 22 Circuits
2.54mm Pitch 0014562224
SL™ Insulation
Displacement
Connector Assembly,
Female, Single Row,
Version G, Positive
Lock, Wire Size 26

AWG, 0.38µm Gold
(Au), 22 Circuits
2.54mm Pitch 0014562232
SL™ Insulation
Displacement
Connector Assembly,
Female, Single Row,
Version G, Positive
Lock, Wire Size 24
AWG, 0.38µm Gold
(Au), 23 Circuits
2.54mm Pitch 0014562234
SL™ Insulation
Displacement
Connector Assembly,
Female, Single Row,
Version G, Positive
Lock, Wire Size 26
AWG, 0.38µm Gold
(Au), 23 Circuits
2.54mm Pitch 0014562242
SL™ Insulation
Displacement
Connector Assembly,
Female, Single Row,
Version G, Positive
Lock, Wire Size 24
AWG, 0.38µm Gold
(Au), 24 Circuits
2.54mm Pitch 0014563041
SL™ Insulation
Displacement
Connector Assembly,
Female, Single Row,
Version G, Positive
Lock, Wire Size 26
AWG, 0.76µm Gold
(Au), 4 Circuits
2.54mm Pitch 0014563043
SL™ Insulation
Displacement
Connector Assembly,
Female, Single Row,
Version G, Positive
Lock, Wire Size 28
AWG, 0.76µm Gold
(Au), 4 Circuits
2.54mm Pitch 0014563053
SL™ Insulation
Displacement
Connector Assembly,
Female, Single Row,
Version G, Positive
Lock, Wire Size 28
AWG, 0.76µm Gold
(Au), 5 Circuits
2.54mm Pitch 0014563061
SL™ Insulation
Displacement
Connector Assembly,
Female, Single Row,
Version G, Positive
Lock, Wire Size 26
AWG, 0.76µm Gold
(Au), 6 Circuits

2.54mm Pitch	0014563064
SL™ Insulation	
Displacement	
Connector Assembly,	
Female, Single Row,	
Version D, Back	
Ribs, Wire Size 24	
AWG, 0.38µm Gold	
(Au), 6 Circuits	
2.54mm Pitch	0014563083
SL™ Insulation	
Displacement	
Connector Assembly,	
Female, Single Row,	
Version G, Positive	
Lock, Wire Size 28	
AWG, 0.76µm Gold	
(Au), 8 Circuits	
2.54mm Pitch	0014563104
SL™ Insulation	
Displacement	
Connector Assembly,	
Female, Single Row,	
Version D, Back	
Ribs, Wire Size 24	
AWG, 0.38µm Gold	
(Au), 10 Circuits	
2.54mm Pitch	0014563105
SL™ Insulation	
Displacement	
Connector Assembly,	
Female, Single Row,	
Version C, Front	
Ribs, Wire Size 24	
AWG, 0.38µm Gold	
(Au), 10 Circuits	
2.54mm Pitch	0014563106
SL™ Insulation	
Displacement	
Connector Assembly,	
Female, Single Row,	
Version C, Front	
Ribs, Wire Size 26	
AWG, 0.38µm Gold	
(Au), 10 Circuits	

This document was generated on 10/04/2012

PLEASE CHECK WWW.MOLEX.COM FOR LATEST PART INFORMATION