


**Table of Contents**


2	Notes
3	Power, Clock, and Reset
4	User Functions
5	USB to BDM Reference Block

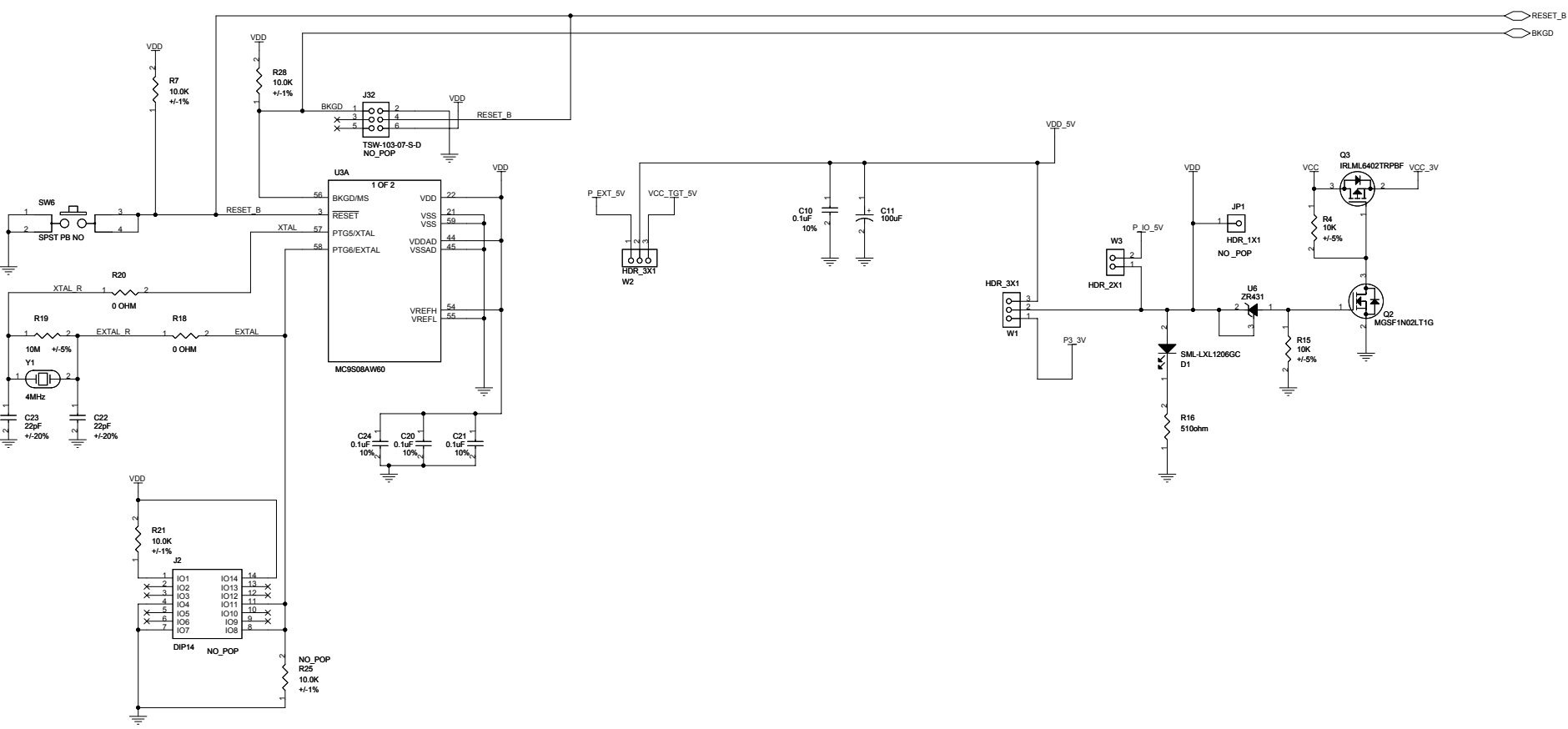
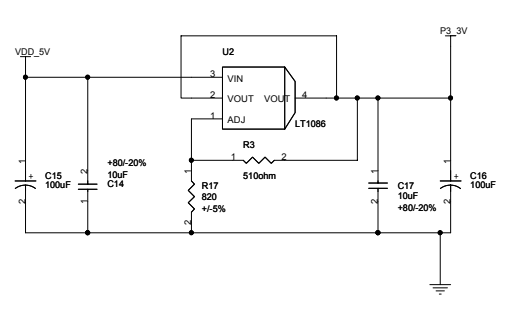
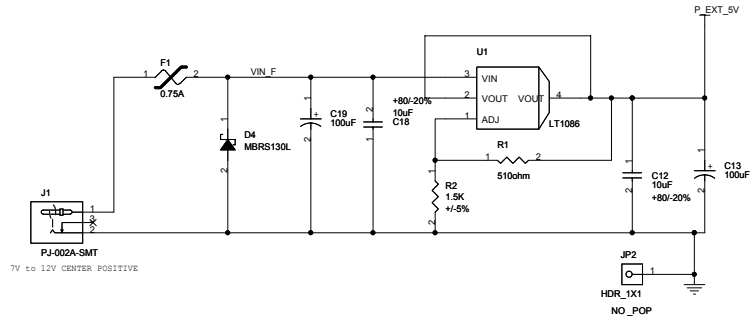
**Revisions**

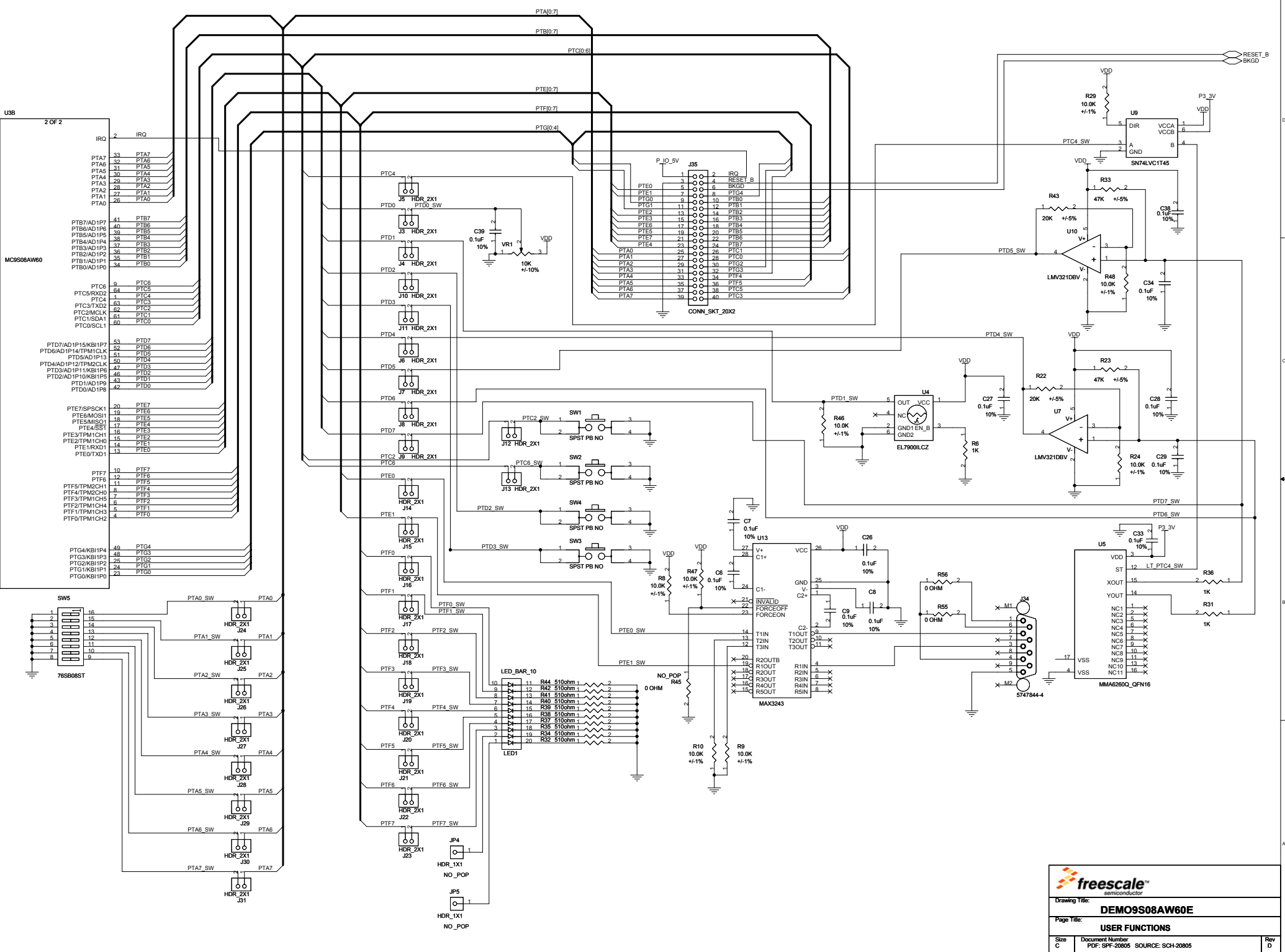
Rev	Description	Date	Approved
A	Original Release	03/30/05	DK
B	Updated per customer feedback and RoHS requirements	10/13/05	DK
C	Rotated U2	11/11/05	DK
D	No Pop'ed R25	03/01/06	DK


		<b>Transportation &amp; Standard Products Group</b> 6501 William Cannon Drive West Austin, TX 78735-8598	
This document contains information proprietary to Freescale Semiconductor and shall not be used for engineering design, procurement or manufacture in whole or in part without the express written permission of Freescale Semiconductor.			
Designer: DANIEL KRUCZEK		Drawing Title: <b>DEMO9S08AW60E</b>	
Drawn by: DANIEL KRUCZEK		Page Title: <b>TITLE PAGE</b>	
Approved: DANIEL KRUCZEK	Size C	Document Number PDF: SPF-20805 SOURCE: SCH-20805	Rev D
Date: Wednesday, March 01, 2006		Sheet	1 of 5

1. Unless Otherwise Specified:
  - All resistors are in ohms, 5%, 1/8 Watt
  - All capacitors are in uF, 20%, 50V
  - All voltages are DC
  - All polarized capacitors are aluminum electrolytic
2. Interrupted Lines coded with the same letter or letter combinations are electrically connected.
3. Device type number is for reference only. The number varies with the manufacturer.
4. Special signal usage:
  - B Denotes - Active-Low Signal
  - $\leftrightarrow$  or  $\square$  Denotes - Vectored Signals
5. Interpret diagram in accordance with American National Standards Institute specifications, current revision, with the exception of logic block symbology.

			
Drawing Title: <b>DEMO9S08AW60E</b>			
Page Title: <b>NOTES</b>			
Size C	Document Number PDF: SPF-20805	SOURCE: SCH-20805	Rev D
Date: Wednesday, March 01 2006	Sheet 2	of 5	






**freescalse<sup>®</sup>**  
 semiconductors

Drawing Title: **DEMO9S08AW60E**  
 Page Title: **USER FUNCTIONS**

Size C	Document Number PDF: SPF-20805 SOURCE: SCH-20805	Rev D
Date: Wednesday, March 01 2006	Sheet 4	of 5

