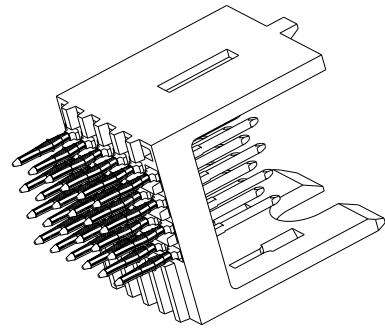
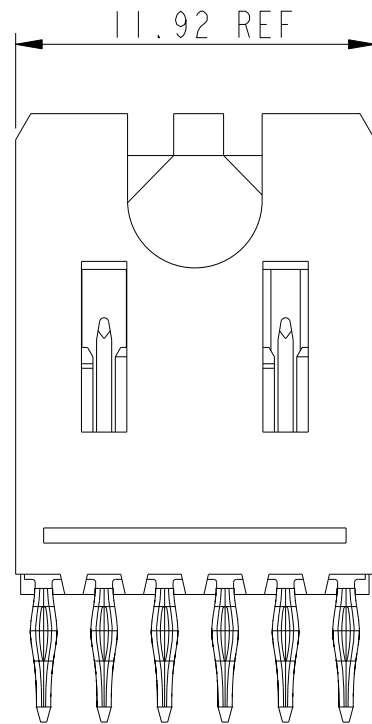
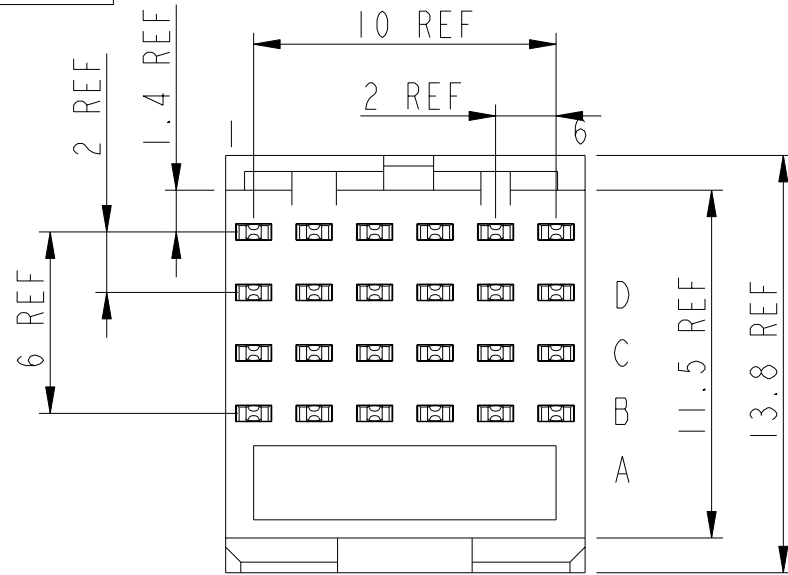
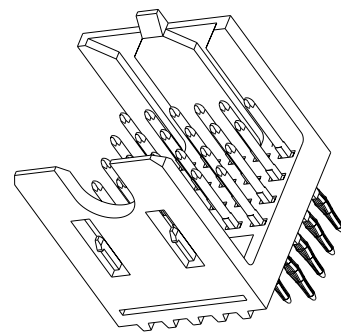


TIN LEAD P/N
85826-XYX

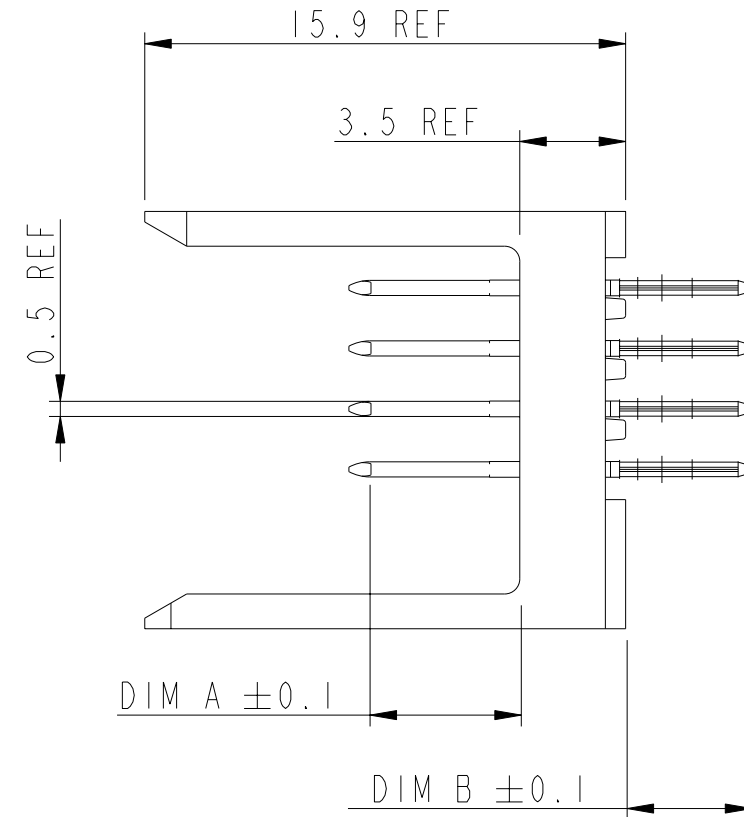
LEAD FREE P/N
85826-XYLX



SCALE 2:1



SCALE 4:1



NOTES :

- FOR DIM A AND DIM B, SEE SHEET 2 AND UP.
- BODY MATERIAL : LIQUID CRYSTAL.
POLYMER 30% GLASS.
FLAME RETARDANT ACC. UL 94-V0.
- PIN MATERIAL :
PHOSPHOR BRONZE.
- PLATING ON PRESS FIT TAIL AREA
CONFORMS TO PERFORMANCE LEVEL
SHOWN IN TABLE BELOW.
- PRODUCT MARKING :
PART NUMBER DESIGNATION & BATCH I.D
- ALL PRODUCTS WITH PART NUMBERS SHOWN IN
SUBSEQUENT TABLES WILL BE PACKAGED IN TUBES.
IF TRAY PACKAGING IS REQUIRED, A SUFFIX "P"
WILL BE ADDED TO THE END OF THE PART NUMBER
EXAMPLE : XXXXX-XXXP

GENERAL CHARACTERISTICS AND RoHS INFORMATIONS:

SEE DRAWING C-8626-000P

PLATING IN CONTACT AREA	
DASH NUMBER	PERFORMANCE LEVEL
-1YY(LF)	TELCORDIA CO
-2YY(LF)	TELECOM CLASS
-3YY(LF)	IEC CLASS I

rev	ecn no	dr	date
E	LS3003	SPE	2003/01/20
G	LS3063	SBA	2003/07/02
H	-	MLE	2004/06/09
J	L05-0056	LGO	2005/06/14
K	LS06-0084	LGO	2006-07-01
-	-	-	-
-	-	-	-

www.fciconnect.com		surface ISO 1302	tolerance std ISO 406 ISO 1101	projection mm
		TOLERANCES UNLESS OTHERWISE SPECIFIED		mm
Dr	S-PERRICHOT	2003/20/01	ANGULAR	0.X ±0.3
Eng	S-PERRICHOT	2003/20/01	LINEAR	0.XX ±0.1
Chr	PH-LEGARE	2003/20/01	0° ±2°	0.XXX ±0.05
Appr	PH-LEGARE	2003/20/01	Product family	size A3 Scale 1:1
				ECN LS06-0084
				Spec ref -
FCi			title METRAL SIGNAL STRAIGHT HEADER	dwg no 85826C
			1 MODULE 4 ROW PRESS-FIT NARROW BODY	Rev. K
			catalog no SEE NOTES	CUSTOMER sheet 1 of 8

1

2

3

4

A

B

C

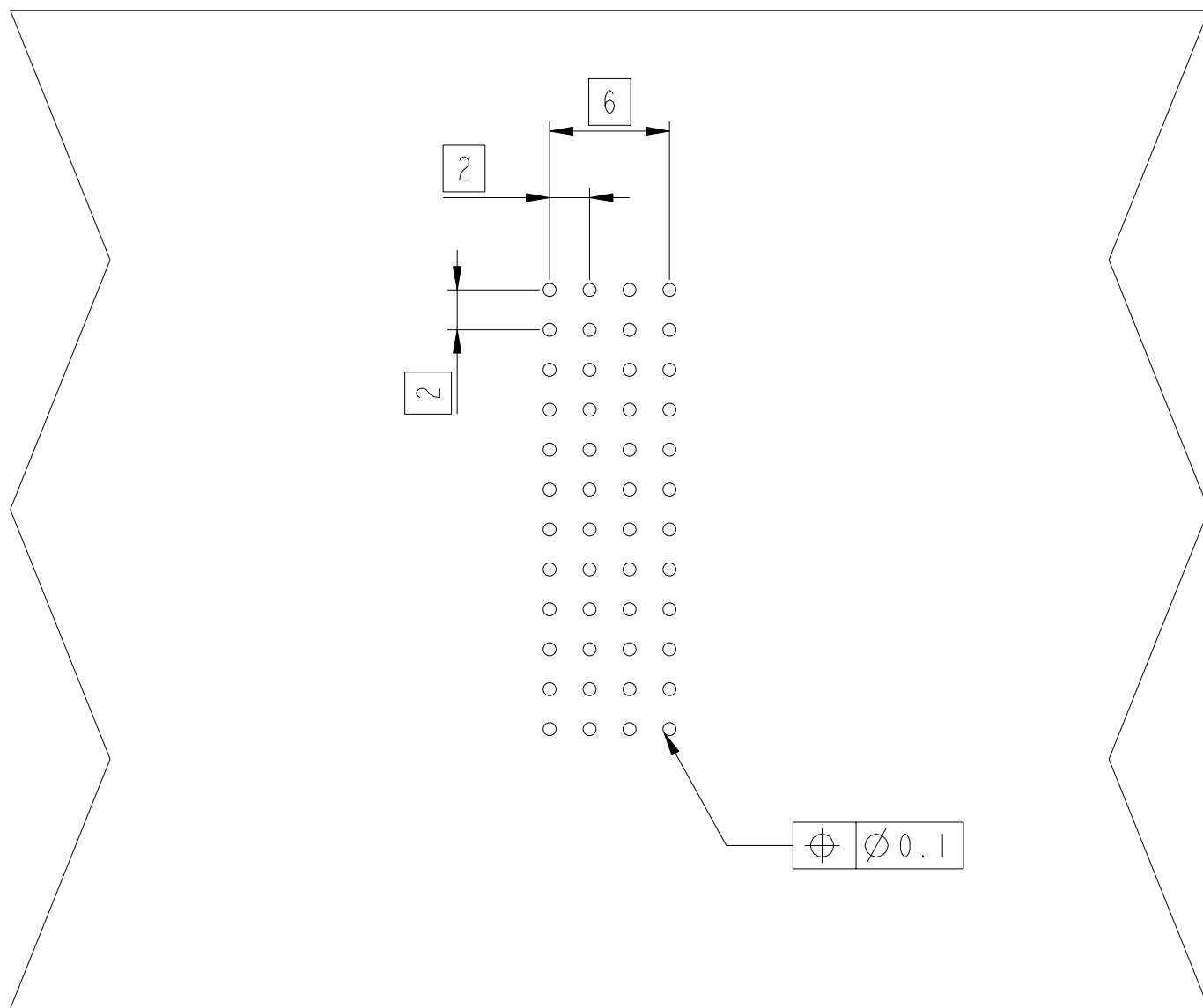
D

A

B

C

D



KEY		
CODE	DIMENSIONS	
	DIM A MATE	DIM B TAIL
1	5.00	4.30
2	5.75	4.30
3	6.50	4.30
4	7.25	4.30
5	5.00	13.60
6	5.75	13.60
7	6.50	13.60
8	7.25	13.60
9	5.00	17.00
10	5.75	17.00
11	6.50	17.00
12	7.25	17.00
13	8.25	4.30
14	8.25	13.60
15	8.25	17.00
19	8.00	4.30
20	8.00	13.60
21	8.00	17.00

PCB LAYOUT
COMPONENT SIDE

SCALE 3:1

SEE PRINT 58351 FOR ADDITIONNAL
PCB INFORMATION



Copyright FCI.

www.fciconnect.com			surface <input checked="" type="checkbox"/> ISO 1302	tolerance std ISO 406 ISO 1101	projection	mm		
			TOLERANCES UNLESS OTHERWISE SPECIFIED					
Dr	S-PERRICHOT	2003/20/01	ANGULAR	LINEAR	0.X	± 0.3	size A3	Scale 1:1
Eng	S-PERRICHOT	2003/20/01			0.XX	± 0.1		
Chr	PH-LEGARE	2003/20/01	0°	$\pm 2^\circ$	0.XXX	± 0.05	ECN	LS06-0084
Appr	PH-LEGARE	2003/20/01	Product family			-	Spec ref	-
			METRAL SIGNAL STRAIGHT HEADER			dwg no	85826C	Rev.
			I MODULE 4 ROW PRESS-FIT NARROW BODY			K		
			catalog no			SEE NOTES		CUSTOMER
						sheet 2 of 8		

1

2

3

PDM: Rev:K

STATUS:Released

Printed: Jun 18, 2009

A

B

C

D

A

B

C

D



Copyright FCI.

METRAL P/N	ROW	DIM A MATE	DIM B TAIL
85826-X10 OR 85826-X10	D	5.00	4.30
	C	5.75	4.30
	B	5.75	4.30
	A	6.50	4.30

METRAL P/N	ROW	DIM A MATE	DIM B TAIL
85826-X15 OR 85826-X15LF	D	6.50	4.30
	C	6.50	4.30
	B	6.50	4.30
	A	6.50	4.30

METRAL P/N	ROW	DIM A MATE	DIM B TAIL
85826-X20 OR 85826-X20LF	D	5.00	13.60
	C	5.75	13.60
	B	5.75	13.60
	A	6.50	13.60

METRAL P/N	ROW	DIM A MATE	DIM B TAIL
85826-X11 OR 85826-X11LF	D	5.00	4.30
	C	5.00	4.30
	B	5.00	4.30
	A	5.00	4.30

METRAL P/N	ROW	DIM A MATE	DIM B TAIL
85826-X16 OR 85826-X16LF	D	5.75	4.30
	C	5.75	4.30
	B	5.75	4.30
	A	5.75	4.30

METRAL P/N	ROW	DIM A MATE	DIM B TAIL
85826-X21 OR 85826-X21LF	D	5.00	13.60
	C	5.00	13.60
	B	5.00	13.60
	A	5.00	13.60

METRAL P/N	ROW	DIM A MATE	DIM B TAIL
85826-X12 OR 85826-X12LF	D	5.00	4.30
	C	5.00	4.30
	B	5.00	4.30
	A	6.50	4.30

METRAL P/N	ROW	DIM A MATE	DIM B TAIL
85826-X17 OR 85826-X17LF	D	6.50	4.30
	C	5.75	4.30
	B	5.75	4.30
	A	5.00	4.30

METRAL P/N	ROW	DIM A MATE	DIM B TAIL
85826-X22 OR 85826-X22LF	D	5.00	13.60
	C	5.00	13.60
	B	5.00	13.60
	A	6.50	13.60

METRAL P/N	ROW	DIM A MATE	DIM B TAIL
85826-X13 OR 85826-X13LF	D	6.50	4.30
	C	5.75	4.30
	B	5.75	4.30
	A	6.50	4.30

METRAL P/N	ROW	DIM A MATE	DIM B TAIL
85826-X18 OR 85826-X18LF	D	6.50	4.30
	C	5.00	4.30
	B	5.00	4.30
	A	5.00	4.30

METRAL P/N	ROW	DIM A MATE	DIM B TAIL
85826-X23 OR 85826-X23LF	D	6.50	13.60
	C	5.75	13.60
	B	5.75	13.60
	A	6.50	13.60

METRAL P/N	ROW	DIM A MATE	DIM B TAIL
85826-X14 OR 85826-X14LF	D	7.25	4.30
	C	6.50	4.30
	B	6.50	4.30
	A	7.25	4.30

METRAL P/N	ROW	DIM A MATE	DIM B TAIL
85826-X19 OR 85826-X19LF	D	7.25	4.30
	C	7.25	4.30
	B	7.25	4.30
	A	7.25	4.30

www.fciconnect.com		surface <input checked="" type="checkbox"/> ISO 1302	tolerance std ISO 406 ISO 1101	projection	mm
TOLERANCES UNLESS OTHERWISE SPECIFIED					
Dr	S-PERRICHOT	2003/20/01	ANGULAR	LINEAR	0.X ±0.3
Eng	S-PERRICHOT	2003/20/01			0.XX ±0.1
Chr	PH-LEGARE	2003/20/01	0° ±2°		0.XXX ±0.05
Appr	PH-LEGARE	2003/20/01	Product family		Spec ref
			METRAL SIGNAL STRAIGHT HEADER		dwg no 85826C
			1 MODULE 4 ROW PRESS-FIT NARROW BODY		
catalog no			SEE NOTES		Rev. K
			CUSTOMER		sheet 3 of 8

A

METRAL P/N	ROW	DIM A MATE	DIM B TAIL
85826-X24 OR 85824-X24LF	D	7.25	13.60
	C	6.50	13.60
	B	6.50	13.60
	A	7.25	13.60

METRAL P/N	ROW	DIM A MATE	DIM B TAIL
85826-X28 OR 85826-X28LF	D	6.50	13.60
	C	5.00	13.60
	B	5.00	13.60
	A	5.00	13.60

METRAL P/N	ROW	DIM A MATE	DIM B TAIL
85826-X32 OR 85826-X32LF	D	5.00	17.00
	C	5.00	17.00
	B	5.00	17.00
	A	6.50	17.00

METRAL P/N	ROW	DIM A MATE	DIM B TAIL
85826-X35 OR 85826-X35LF	D	6.50	17.00
	C	6.50	17.00
	B	6.50	17.00
	A	6.50	17.00

B

METRAL P/N	ROW	DIM A MATE	DIM B TAIL
85826-X25 OR 85826-X25LF	D	6.50	13.60
	C	6.50	13.60
	B	6.50	13.60
	A	6.50	13.60

METRAL P/N	ROW	DIM A MATE	DIM B TAIL
85826-X29 OR 85826-X29LF	D	7.25	13.60
	C	7.25	13.60
	B	7.25	13.60
	A	7.25	13.60

METRAL P/N	ROW	DIM A MATE	DIM B TAIL
85826-X33 OR 85826-X33LF	D	6.50	17.00
	C	5.75	17.00
	B	5.75	17.00
	A	6.50	17.00

METRAL P/N	ROW	DIM A MATE	DIM B TAIL
85826-X36 OR 85826-X36LF	D	5.75	17.00
	C	5.75	17.00
	B	5.75	17.00
	A	5.75	17.00

C

METRAL P/N	ROW	DIM A MATE	DIM B TAIL
85826-X26 OR 85826-X26LF	D	5.75	13.60
	C	5.75	13.60
	B	5.75	13.60
	A	5.75	13.60

METRAL P/N	ROW	DIM A MATE	DIM B TAIL
85826-X30 OR 85826-X30LF	D	5.00	17.00
	C	5.75	17.00
	B	5.75	17.00
	A	6.50	17.00

METRAL P/N	ROW	DIM A MATE	DIM B TAIL
85826-X34 OR 85826-X34LF	D	7.25	17.00
	C	6.50	17.00
	B	6.50	17.00
	A	7.25	17.00

METRAL P/N	ROW	DIM A MATE	DIM B TAIL
85826-X37 OR 85826-X37LF	D	6.50	17.00
	C	5.75	17.00
	B	5.75	17.00
	A	5.00	17.00

D

METRAL P/N	ROW	DIM A MATE	DIM B TAIL
85826-X27 OR 85826-X27LF	D	6.50	13.60
	C	5.75	13.60
	B	5.75	13.60
	A	5.00	13.60

METRAL P/N	ROW	DIM A MATE	DIM B TAIL
85826-X31 OR 85826-X31LF	D	5.00	17.00
	C	5.00	17.00
	B	5.00	17.00
	A	5.00	17.00

www.fciconnect.com		surface <input checked="" type="checkbox"/> ISO 1302	tolerance std ISO 406 ISO 1101	projection	mm
TOLERANCES UNLESS OTHERWISE SPECIFIED					
Dr	S-PERRICHOT	2003/20/01	ANGULAR	LINEAR	0.X ±0.3
Eng	S-PERRICHOT	2003/20/01			0.XX ±0.1
Chr	PH-LEGARE	2003/20/01	0° ±2°		0.XXX ±0.05
Appr	PH-LEGARE	2003/20/01	Product family		Spec ref
		METRAL SIGNAL STRAIGHT HEADER		dwg no 85826C	
		I MODULE 4 ROW PRESS-FIT NARROW BODY		Rev. K	
		catalog no SEE NOTES		CUSTOMER sheet 4 of 8	



Copyright FCI.

A

METRAL P/N	ROW	DIM A MATE	DIM B TAIL
85826-X38 OR 85826-X38LF	D	6.50	17.00
	C	5.00	17.00
	B	5.00	17.00
	A	5.00	17.00

METRAL P/N	ROW	DIM A MATE	DIM B TAIL
85826-X42 OR 85826-X42LF	D	5.00	4.30
	C	5.00	4.30
	B	5.00	4.30
	A	5.75	4.30

METRAL P/N	ROW	DIM A MATE	DIM B TAIL
85826-X46 OR 85826-X46LF	D	8.00	4.30
	C	6.50	4.30
	B	6.50	4.30
	A	6.50	4.30

METRAL P/N	ROW	DIM A MATE	DIM B TAIL
85826-X49 OR 85826-X49LF	D	7.25	4.30
	C	6.50	4.30
	B	6.50	4.30
	A	6.50	4.30

B

METRAL P/N	ROW	DIM A MATE	DIM B TAIL
85826-X39 OR 85826-X39LF	D	7.25	17.00
	C	7.25	17.00
	B	7.25	17.00
	A	7.25	17.00

METRAL P/N	ROW	DIM A MATE	DIM B TAIL
85826-X43	D	8.25	4.30
	C	6.50	4.30
	B	6.50	4.30
	A	6.50	4.30

METRAL P/N	ROW	DIM A MATE	DIM B TAIL
85826-X47	D	7.25	4.30
	C	7.25	4.30
	B	8.25	4.30
	A	8.25	4.30

METRAL P/N	ROW	DIM A MATE	DIM B TAIL
85826-X50 OR 85826-X50LF	D	5.75	13.60
	C	5.75	13.60
	B	7.25	13.60
	A	5.75	13.60

C

METRAL P/N	ROW	DIM A MATE	DIM B TAIL
85826-X40 OR 85826-X40LF	D	5.75	4.30
	C	5.75	4.30
	B	7.25	4.30
	A	5.75	4.30

METRAL P/N	ROW	DIM A MATE	DIM B TAIL
85826-X44 OR 85826-X44LF	D	5.75	4.30
	C	6.50	4.30
	B	7.25	4.30
	A	6.50	4.30

METRAL P/N	ROW	DIM A MATE	DIM B TAIL
85826-X48 OR 85826-X48LF	D	8.00	4.30
	C	8.00	4.30
	B	8.00	4.30
	A	8.00	4.30

METRAL P/N	ROW	DIM A MATE	DIM B TAIL
85826-X51 OR 85826-X51LF	D	5.75	13.60
	C	5.75	13.60
	B	5.75	13.60
	A	7.25	13.60

D

METRAL P/N	ROW	DIM A MATE	DIM B TAIL
85826-X41 OR 85826-X41LF	D	5.75	4.30
	C	5.75	4.30
	B	5.75	4.30
	A	7.25	4.30

METRAL P/N	ROW	DIM A MATE	DIM B TAIL
85826-X45 OR 85826-X45LF	D	5.00	4.30
	C	5.75	4.30
	B	6.50	4.30
	A	7.25	4.30

www.fciconnect.com		surface <input checked="" type="checkbox"/> ISO 1302	tolerance std ISO 406 ISO 1101	projection	mm
TOLERANCES UNLESS OTHERWISE SPECIFIED					
Dr	S-PERRICHOT	2003/20/01	ANGULAR	0.X	±0.3
Eng	S-PERRICHOT	2003/20/01	LINEAR	0.XX	±0.1
Chr	PH-LEGARE	2003/20/01	0° ±2°	0.XXX	±0.05
Appr	PH-LEGARE	2003/20/01	Product family	-	Spec ref -
			METRAL SIGNAL STRAIGHT HEADER		Rev. K
			I MODULE 4 ROW PRESS-FIT NARROW BODY		
catalog no			SEE NOTES		
			CUSTOMER		sheet 5 of 8



Copyright FCI.

METRAL P/N	ROW	DIM A MATE	DIM B TAIL
85826-X52 OR 85826-X52LF	D	5.00	13.60
	C	5.00	13.60
	B	5.00	13.60
	A	5.75	13.60

METRAL P/N	ROW	DIM A MATE	DIM B TAIL
85826-X56 OR 85826-X56LF	D	8.00	13.60
	C	6.50	13.60
	B	6.50	13.60
	A	6.50	13.60

METRAL P/N	ROW	DIM A MATE	DIM B TAIL
85826-X60 OR 85826-X61	D	5.75	17.00
	C	5.75	17.00
	B	7.25	17.00
	A	5.75	17.00

METRAL P/N	ROW	DIM A MATE	DIM B TAIL
85826-X63	D	8.25	17.00
	C	6.50	17.00
	B	6.50	17.00
	A	6.50	17.00

METRAL P/N	ROW	DIM A MATE	DIM B TAIL
85826-X53	D	8.25	13.60
	C	6.50	13.60
	B	6.50	13.60
	A	6.50	13.60

METRAL P/N	ROW	DIM A MATE	DIM B TAIL
85826-X57	D	7.25	13.60
	C	7.25	13.60
	B	8.25	13.60
	A	8.25	13.60

METRAL P/N	ROW	DIM A MATE	DIM B TAIL
85826-X61 OR 85826-X61LF	D	5.75	17.00
	C	5.75	17.00
	B	5.75	17.00
	A	7.25	17.00

METRAL P/N	ROW	DIM A MATE	DIM B TAIL
85826-X64 OR 85826-X64LF	D	5.75	17.00
	C	6.50	17.00
	B	7.25	17.00
	A	6.50	17.00

METRAL P/N	ROW	DIM A MATE	DIM B TAIL
85826-X54 OR 85826-X54LF	D	5.75	13.60
	C	6.50	13.60
	B	7.25	13.60
	A	6.50	13.60

METRAL P/N	ROW	DIM A MATE	DIM B TAIL
85826-X58 OR 85826-X58LF	D	8.00	13.60
	C	8.00	13.60
	B	8.00	13.60
	A	8.00	13.60

METRAL P/N	ROW	DIM A MATE	DIM B TAIL
85826-X62 OR 85826-X62LF	D	5.00	17.00
	C	5.00	17.00
	B	5.00	17.00
	A	5.75	17.00

METRAL P/N	ROW	DIM A MATE	DIM B TAIL
85826-X65 OR 85826-X65LF	D	5.00	17.00
	C	5.75	17.00
	B	6.50	17.00
	A	7.25	17.00

METRAL P/N	ROW	DIM A MATE	DIM B TAIL
85826-X55 OR 85826-X55LF	D	5.00	13.60
	C	5.75	13.60
	B	6.50	13.60
	A	7.25	13.60

METRAL P/N	ROW	DIM A MATE	DIM B TAIL
85826-X59 OR 85826-X59LF	D	7.25	13.60
	C	6.50	13.60
	B	6.50	13.60
	A	6.50	13.60

www.fciconnect.com		surface <input checked="" type="checkbox"/> ISO 1302	tolerance std ISO 406 ISO 1101	projection	mm
TOLERANCES UNLESS OTHERWISE SPECIFIED					
Dr	S-PERRICHOT	2003/20/01	ANGULAR	0.X	±0.3
Eng	S-PERRICHOT	2003/20/01	LINEAR	0.XX	±0.1
Chr	PH-LEGARE	2003/20/01	0° ±2°	0.XXX	±0.05
Appr	PH-LEGARE	2003/20/01	Product family	-	Spec ref -
METRAL SIGNAL STRAIGHT HEADER I MODULE 4 ROW PRESS-FIT NARROW BODY catalog no SEE NOTES			dwg no 85826C CUSTOMER		Rev. K sheet 6 of 8

METRAL P/N	ROW	DIM A MATE	DIM B TAIL
85826-X66 OR 85826-X66LF	D	8.00	17.00
	C	6.50	17.00
	B	6.50	17.00
	A	6.50	17.00

METRAL P/N	ROW	DIM A MATE	DIM B TAIL
85826-X70 OR 85826-X70LF	D	7.25	4.30
	C	5.75	4.30
	B	5.75	4.30
	A	5.75	4.30

METRAL P/N	ROW	DIM A MATE	DIM B TAIL
85826-X74 OR 85826-X74LF	D	5.75	4.30
	C	6.50	4.30
	B	6.50	4.30
	A	6.50	4.30

METRAL P/N	ROW	DIM A MATE	DIM B TAIL
85826-X81 OR 85826-X81LF	D	6.50	13.60
	C	6.50	13.60
	B	5.00	13.60
	A	6.50	13.60

METRAL P/N	ROW	DIM A MATE	DIM B TAIL
85826-X67	D	7.25	17.00
	C	7.25	17.00
	B	8.25	17.00
	A	8.25	17.00

METRAL P/N	ROW	DIM A MATE	DIM B TAIL
85826-X71 OR 85826-X71LF	D	6.50	4.30
	C	6.50	4.30
	B	5.00	4.30
	A	6.50	4.30

METRAL P/N	ROW	DIM A MATE	DIM B TAIL
85826-X75 OR 85826-X75LF	D	5.00	4.30
	C	6.50	4.30
	B	6.50	4.30
	A	6.50	4.30

METRAL P/N	ROW	DIM A MATE	DIM B TAIL
85826-X82 OR 85826-X82LF	D	5.75	13.60
	C	7.25	13.60
	B	7.25	13.60
	A	8.00	13.60

METRAL P/N	ROW	DIM A MATE	DIM B TAIL
85826-X68 OR 85826-X68LF	D	8.00	17.00
	C	8.00	17.00
	B	8.00	17.00
	A	8.00	17.00

METRAL P/N	ROW	DIM A MATE	DIM B TAIL
85826-X72 OR 85826-X72LF	D	5.75	4.30
	C	7.25	4.30
	B	7.25	4.30
	A	8.00	4.30

METRAL P/N	ROW	DIM A MATE	DIM B TAIL
85826-X80 OR 85826-X80LF	D	7.25	13.60
	C	5.75	13.60
	B	5.75	13.60
	A	5.75	13.60

METRAL P/N	ROW	DIM A MATE	DIM B TAIL
85826-X83 OR 85826-X83LF	D	5.75	13.60
	C	6.50	13.60
	B	5.75	13.60
	A	6.50	13.60

METRAL P/N	ROW	DIM A MATE	DIM B TAIL
85826-X69 OR 85826-X69LF	D	7.25	17.00
	C	6.50	17.00
	B	6.50	17.00
	A	6.50	17.00

METRAL P/N	ROW	DIM A MATE	DIM B TAIL
85826-X73 OR 85826-X73LF	D	5.75	4.30
	C	6.50	4.30
	B	5.75	4.30
	A	6.50	4.30

www.fciconnect.com		surface <input checked="" type="checkbox"/> ISO 1302	tolerance std ISO 406 ISO 1101	projection	mm
TOLERANCES UNLESS OTHERWISE SPECIFIED					
Dr	S-PERRICHOT	2003/20/01	ANGULAR	LINEAR	0.X ±0.3
Eng	S-PERRICHOT	2003/20/01			0.XX ±0.1
Chr	PH-LEGARE	2003/20/01	0° ±2°		0.XXX ±0.05
Appr	PH-LEGARE	2003/20/01	Product family		Spec ref
		METRAL SIGNAL STRAIGHT HEADER		dwg no	85826C
		I MODULE 4 ROW PRESS-FIT NARROW BODY		Rev.	K
		catalog no	SEE NOTES	CUSTOMER	sheet 7 of 8



Copyright FCI.

A

METRAL P/N	ROW	DIM A MATE	DIM B TAIL
85826-X84 OR 85826-X84LF	D	5.75	13.60
	C	6.50	13.60
	B	6.50	13.60
	A	6.50	13.60

METRAL P/N	ROW	DIM A MATE	DIM B TAIL
85826-X93 OR 85826-X93LF	D	5.75	17.00
	C	6.50	17.00
	B	5.75	17.00
	A	6.50	17.00

B

METRAL P/N	ROW	DIM A MATE	DIM B TAIL
85826-X85 OR 85826-X85LF	D	5.00	13.60
	C	6.50	13.60
	B	6.50	13.60
	A	6.50	13.60

METRAL P/N	ROW	DIM A MATE	DIM B TAIL
85826-X94 OR 85826-X94LF	D	5.75	17.00
	C	6.50	17.00
	B	6.50	17.00
	A	6.50	17.00

C

METRAL P/N	ROW	DIM A MATE	DIM B TAIL
85826-X90 OR 85826-X90LF	D	7.25	17.00
	C	5.75	17.00
	B	5.75	17.00
	A	5.75	17.00

METRAL P/N	ROW	DIM A MATE	DIM B TAIL
85826-X95 OR 85826-X95LF	D	5.00	17.00
	C	6.50	17.00
	B	6.50	17.00
	A	6.50	17.00

METRAL P/N	ROW	DIM A MATE	DIM B TAIL	CONTACT CODE MOD. I						CONTACTS Quantities		
				1	2	3	4	5	6	5	8	-
85826-X91 OR 85826-X91LF	D	6.50	17.00							6	-	-
	C	6.50	17.00							6	-	-
	B	5.00	17.00							3	3	-
	A	6.50	17.00							6	-	-

METRAL P/N	ROW	DIM A MATE	DIM B TAIL	CONTACT CODE MOD. I						CONTACTS Quantities		
				1	2	3	4	5	6	5	8	-
85826-X96 OR 85826-X96LF	D	5.75	17.00	5	5	5	5	5	5	6	-	-
	C	6.50	17.00	5	5	5	5	5	5	6	-	-
	B	5.00	17.00	5	5	8	8	8	5	3	3	-
	A	6.50	17.00	5	5	5	5	5	5	6	-	-

D

METRAL P/N	ROW	DIM A MATE	DIM B TAIL
85826-X92 OR 85826-X92LF	D	5.75	17.00
	C	7.25	17.00
	B	7.25	17.00
	A	8.00	17.00

www.fciconnect.com		surface <input checked="" type="checkbox"/> ISO 1302	tolerance std ISO 406 ISO 1101	projection	mm	
TOLERANCES UNLESS OTHERWISE SPECIFIED						
Dr	S-PERRICHOT	2003/20/01	ANGULAR	LINEAR	0.X ±0.3	
Eng	S-PERRICHOT	2003/20/01			0.XX ±0.1	
Chr	PH-LEGARE	2003/20/01	0° ±2°		0.XXX ±0.05	
Appr	PH-LEGARE	2003/20/01	Product family		- Spec ref -	
		METRAL SIGNAL STRAIGHT HEADER			dwg no 85826C	Rev. K
		I MODULE 4 ROW PRESS-FIT NARROW BODY			CUSTOMER	sheet 8 of 8
		catalog no SEE NOTES				

A

B

C

D



Copyright FCI.