

1

2

3

4

5

6

7

A

B

C

D

E

F

G

H

A

B

C

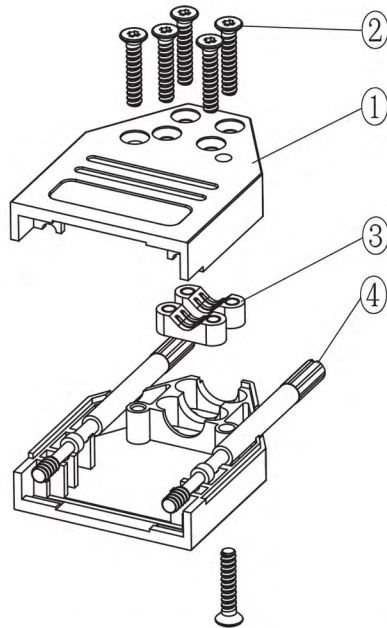
D

E

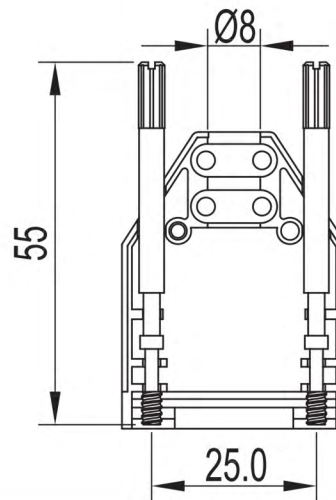
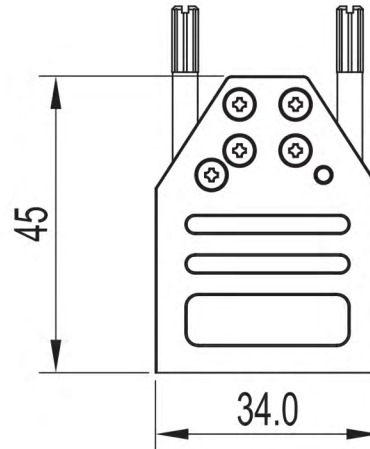
F

G

H



Item	QTY	Part description
1	2	Hood halves
2	6	M2.5x14 Screw
3	2	Cable Clamp
4	2	Thumbscrew UNC4-40x55




TECHNICAL SPECIFICATIONS

Material: Zinc
 Plating: Nickel
 Operating Temperature: -25°C to +90°C
 Thumbscrews: UNC 4-40

No. of contacts: 09-15-25-37-50

RoHS compliant
 Unit: mm

Scale	Free				Date	Name	Customer-No.
TOLERANCE					Drawn	17.08.2017	S.Bölling
0~6	±0.10				Approved	17.08.2017	S.Bölling
6~30	±0.20						
30~120	±0.30						
120~400	±0.50						
DIM	Tol						
Angle	±1°	© Drawn	17.08.2017	S.Bölling			
Angle	Tol	Id.	Modification	Date			

Customer-No.
 ASSMANN WSW-No.
ACOV-SUB-09MB38

Drawing-No.
ASS_5279_CO rev00
 Replace
 Sheet 1/5

1

2

3

4

5

6

7

SV4382

1

2

3

4

5

6

7

A

B

C

D

E

F

G

H

A

B

C

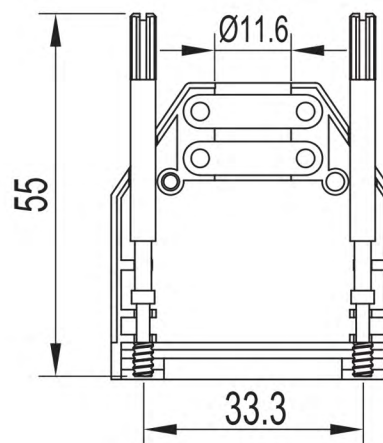
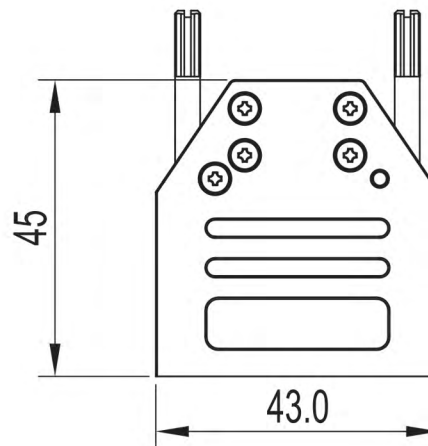
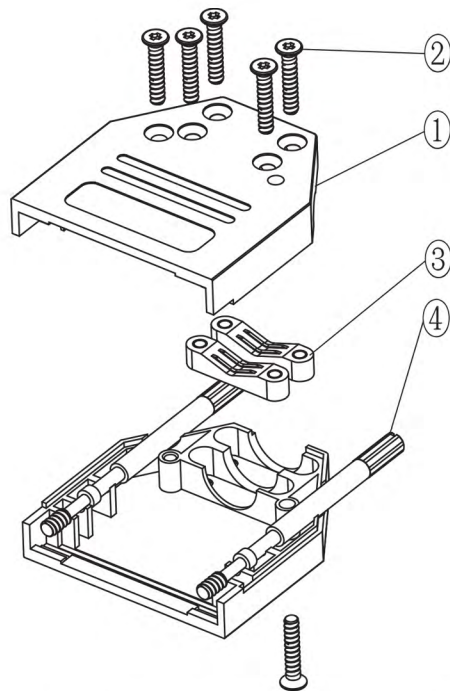
D

E

F

G

H



TECHNICAL SPECIFICATIONS

Material: Zinc
 Plating: Nickel
 Operating Temperature: -25°C to +90°C
 Thumbscrews: UNC 4-40

No. of contacts: 09-15-25-37-50

Item	QTY	Part description
1	2	Hood halves
2	6	M2.5x14 Screw
3	2	Cable Clamp
4	2	Thumbscrew UNC4-40x55

RoHS compliant
 Unit: mm

Scale	Free				Date	Name	Customer-No.
TOLERANCE					Drawn	17.08.2017	S.Bölling
0~6	±0.10				Approved	17.08.2017	S.Bölling
6~30	±0.20						
30~120	±0.30						
120~400	±0.50						
DIM	Tol						
Angle	±1°	©	Drawn	17.08.2017	S.Bölling	ASSMANN WSW-No. ACOV-SUB-15MB38	
Angle	Tol	Id.	Modification	Date	Name	Drawing-No. ASS_5279_CO rev00	
						Replace Sheet 2/5	



1

2

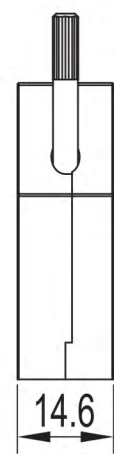
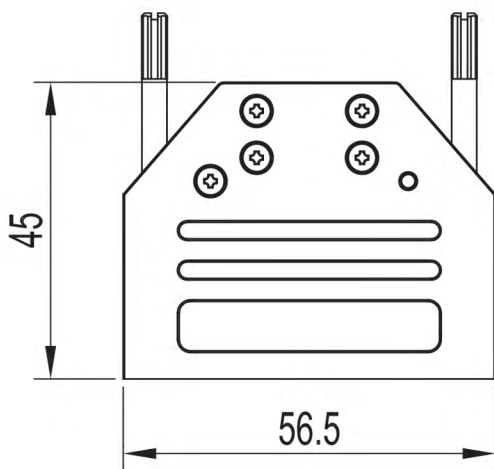
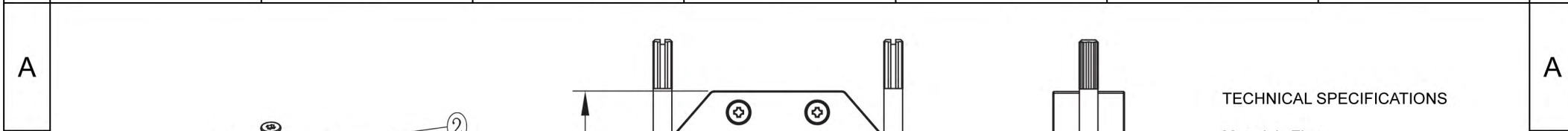
3

4

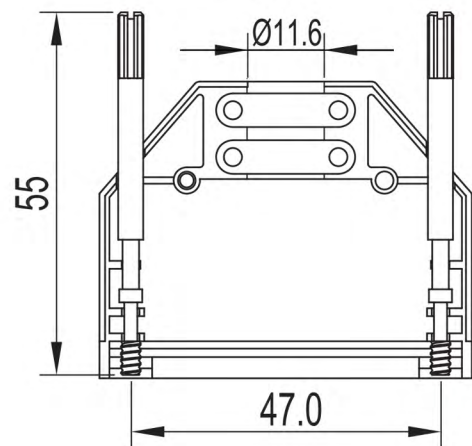
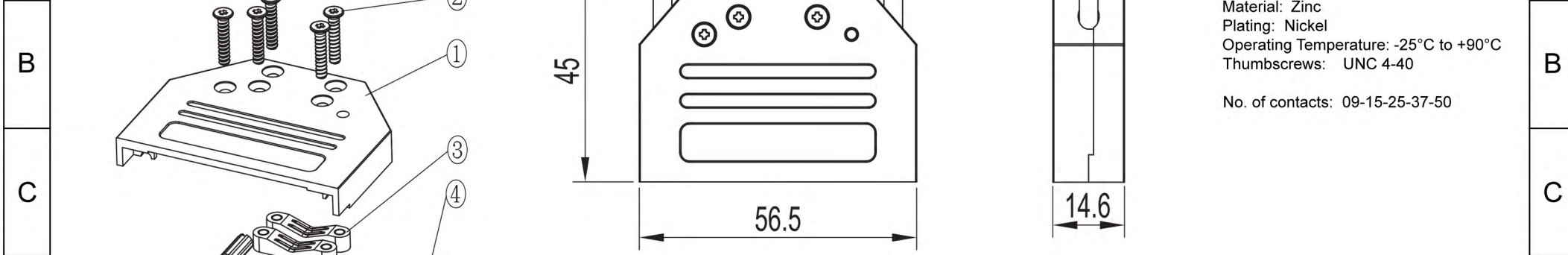
5

6

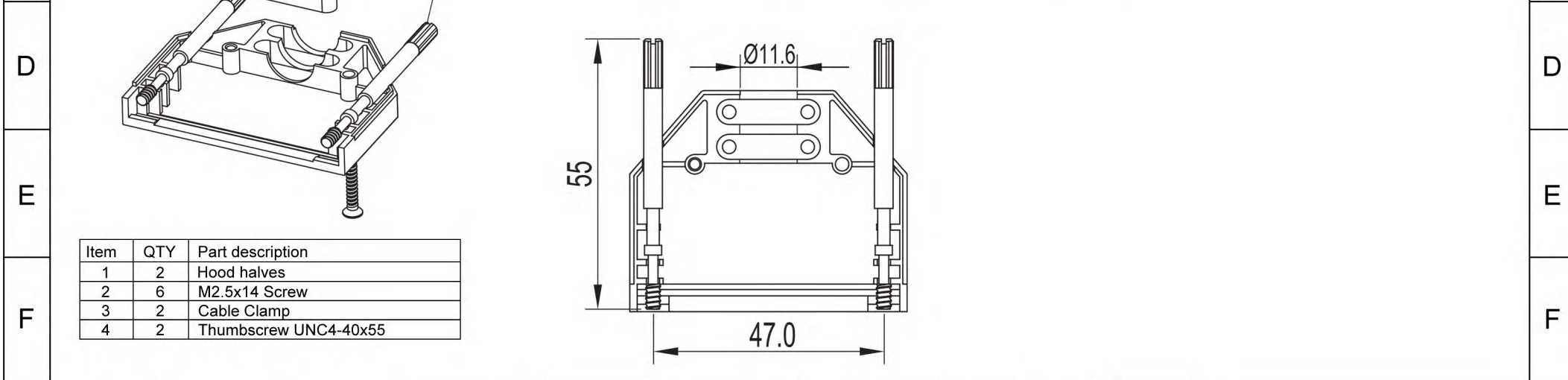
7



TECHNICAL SPECIFICATIONS
 Material: Zinc
 Plating: Nickel
 Operating Temperature: -25°C to +90°C
 Thumbscrews: UNC 4-40
 No. of contacts: 09-15-25-37-50



Item	QTY	Part description
1	2	Hood halves
2	6	M2.5x14 Screw
3	2	Cable Clamp
4	2	Thumbscrew UNC4-40x55



RoHS compliant
 Unit: mm

Scale	Free				Date	Name	Customer-No.
TOLERANCE					Drawn	17.08.2017	S.Bölling
0~6	±0.10				Approved	17.08.2017	S.Bölling
6~30	±0.20						
30~120	±0.30						
120~400	±0.50						
DIM	Tol						
Angle	±1°	©	Drawn	17.08.2017	S.Bölling	ASSMANN WSW-No. ACOV-SUB-25MB38	
Angle	Tol	Id.	Modification	Date	Name	Drawing-No. ASS_5279_CO rev00	
						Replace	Sheet 3/5



1

2

3

4

5

6

7

A

A

B

B

C

C

D

D

E

E

F

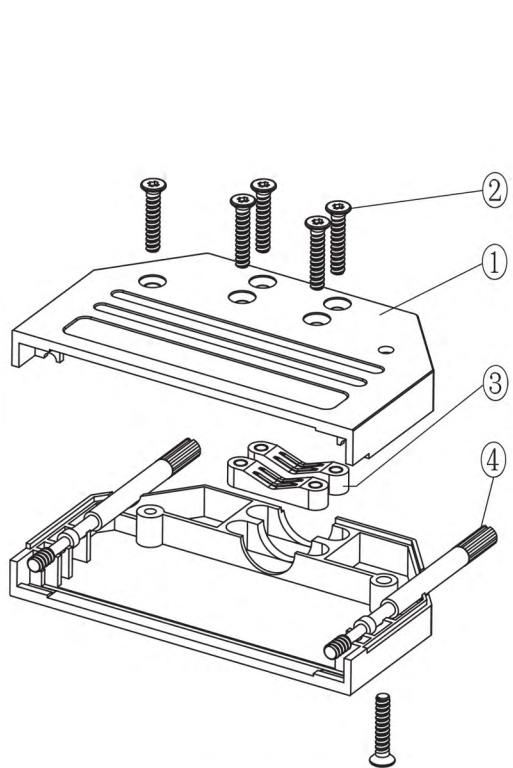
F

G

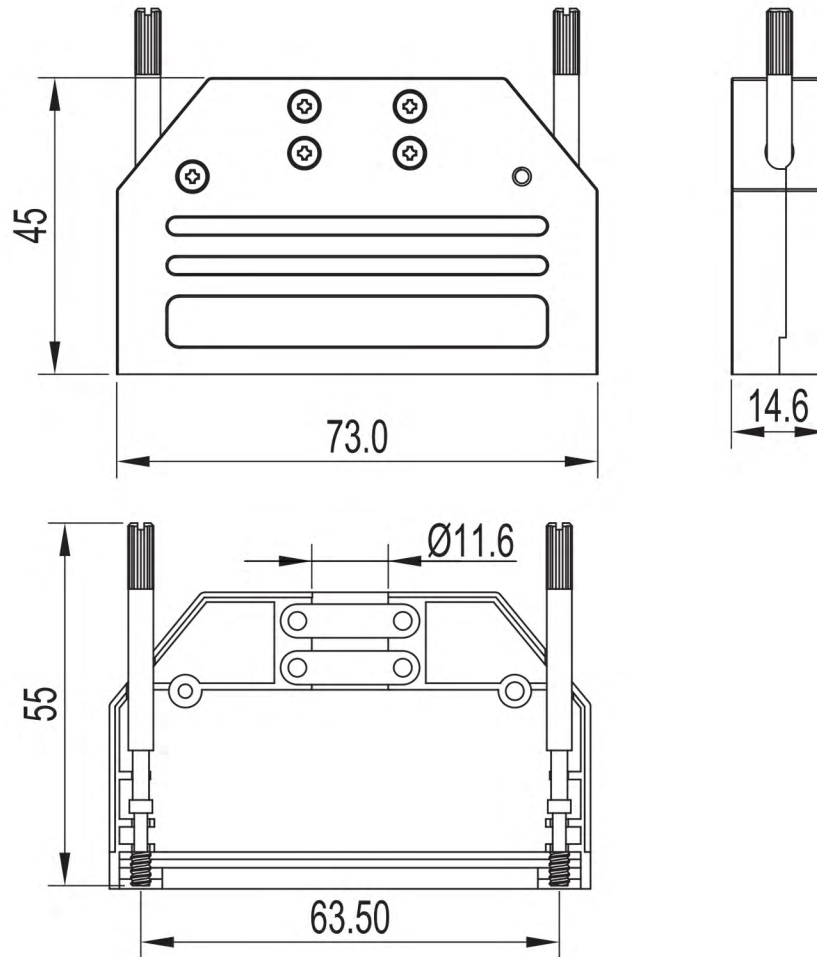
G

H

H



Item	QTY	Part description
1	2	Hood halves
2	6	M2.5x14 Screw
3	2	Cable Clamp
4	2	Thumbscrew UNC4-40x55




TECHNICAL SPECIFICATIONS

Material: Zinc
 Plating: Nickel
 Operating Temperature: -25°C to +90°C
 Thumbscrews: UNC 4-40

No. of contacts: 09-15-25-37-50

RoHS compliant
 Unit: mm

Scale	Free				Date	Name	Customer-No.	
TOLERANCE					Drawn	17.08.2017	S.Bölling	
0~6	±0.10				Approved	17.08.2017	S.Bölling	
6~30	±0.20							
30~120	±0.30							
120~400	±0.50							
DIM	Tol							
Angle	±1°	©	Drawn	17.08.2017				S.Bölling
Angle	Tol	Id.	Modification	Date				Name

ASSMANN WSW-No.
ACOV-SUB-37MB38

Drawing-No.
ASS_5279_CO rev00
 Replace Sheet 4/5

1

2

3

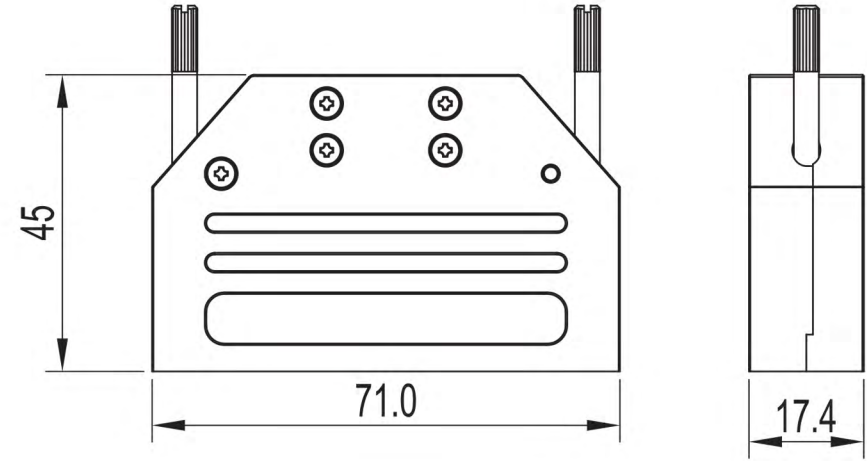
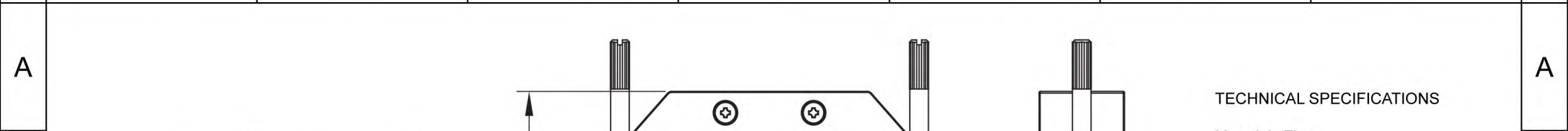
4

5

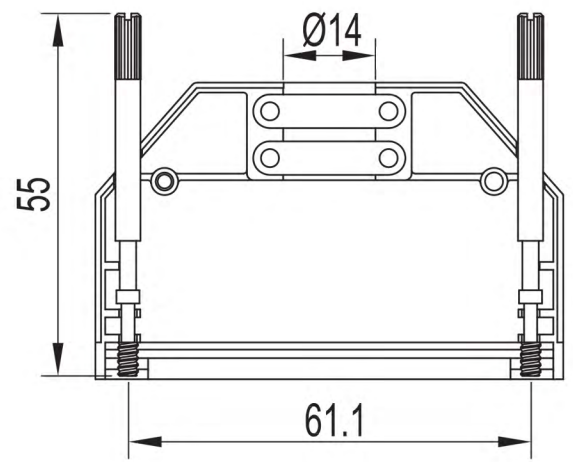
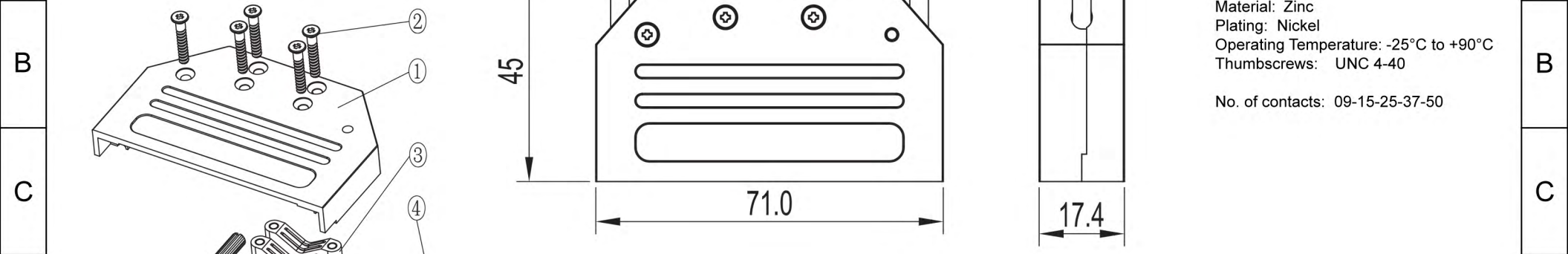
6

7

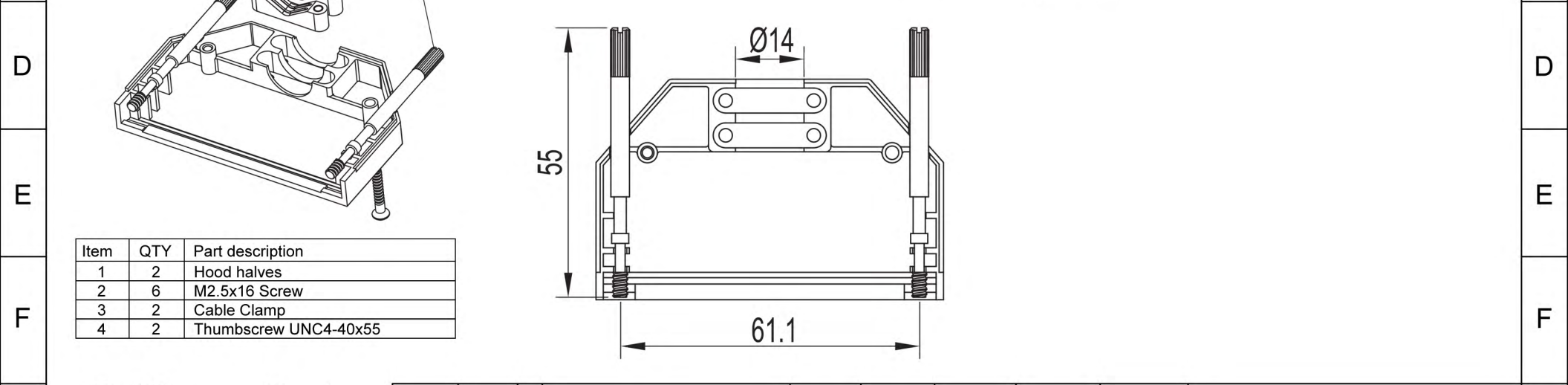
SV4382



TECHNICAL SPECIFICATIONS
 Material: Zinc
 Plating: Nickel
 Operating Temperature: -25°C to +90°C
 Thumbscrews: UNC 4-40
 No. of contacts: 09-15-25-37-50



Item	QTY	Part description
1	2	Hood halves
2	6	M2.5x16 Screw
3	2	Cable Clamp
4	2	Thumbscrew UNC4-40x55



RoHS compliant
 Unit: mm

Scale	Free				Date	Name	Customer-No.
TOLERANCE					Drawn	17.08.2017	S.Bölling
0~6	±0.10				Approved	17.08.2017	S.Bölling
6~30	±0.20						
30~120	±0.30						
120~400	±0.50						
DIM	Tol						
Angle	±1°	©	Drawn	17.08.2017	S.Bölling	ASSMANN WSW components ASS_5279_CO rev00 Replace Sheet 5/5	
Angle	Tol	Id.	Modification	Date	Name		

