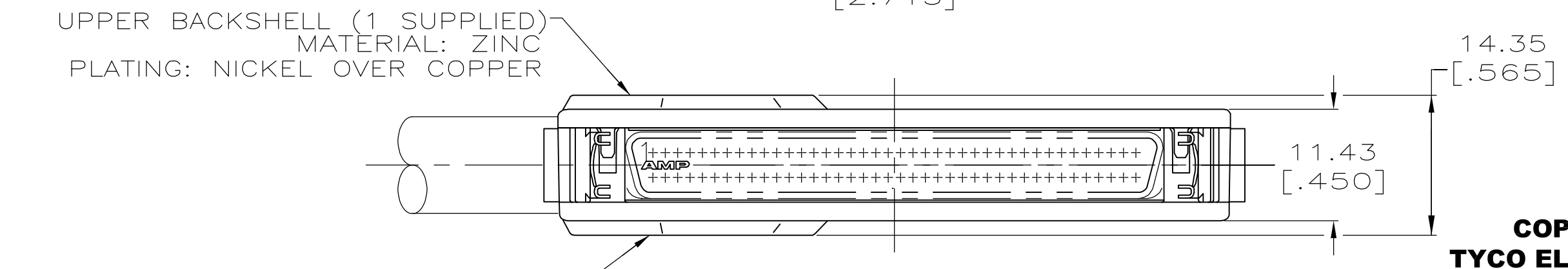
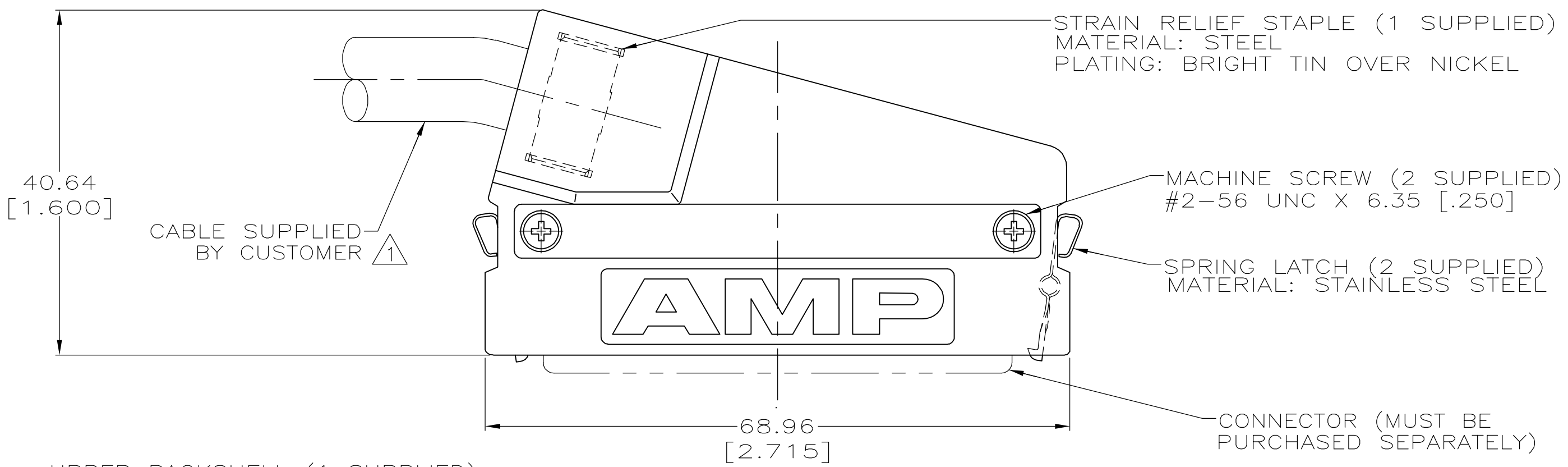


THIS DRAWING IS UNPUBLISHED. RELEASED FOR PUBLICATION  
 © COPYRIGHT BY TYCO ELECTRONICS CORPORATION. ALL RIGHTS RESERVED.

LOC	DIST	REVISIONS					
GP	00	P	LTR	DESCRIPTION	DATE	DWN	APVD
			0	RELEASED PER EC OS13-0001-05	26AUG05	GP	JG



LOWER BACKSHELL (1 SUPPLIED)  
 MATERIAL: ZINC  
 PLATING: NICKEL OVER COPPER

△ 10.67 [.420] MAX CABLE DIA  
 2. PARTS PACKAGED AS A UNIT KIT.

**COPYRIGHT 2005  
 TYCO ELECTRONICS CORP  
 ALL RIGHTS RESERVED**

5749205-1  
 PART NO

THIS DRAWING IS A CONTROLLED DOCUMENT.		DWN	G.PETERS	26AUG05	<b>tyco</b> Electronics	Tyco Electronics Corporation			
DIMENSIONS: INCHES		CHK	S.SHUEY	26AUG05		Harrisburg, PA 17105-3608			
TOLERANCES UNLESS OTHERWISE SPECIFIED:		APVD	M.WALMSLEY	26AUG05		NAME			
0 PLC ± - 1 PLC ± - 2 PLC ± - 3 PLC ± 0.38 [.015] 4 PLC ± - ANGLES ± -		PRODUCT SPEC		INDIVIDUAL KIT, UNASSEMBLED, 80 POSITION, 75 DEG EXIT, UNKEYED, AMPLIMITE .050 Series		RESTRICTED TO			
MATERIAL		FINISH		WEIGHT		SIZE	CAGE CODE	DRAWING NO	RESTRICTED TO
-		-		-		A3	00779	C=5749205	-
CUSTOMER DRAWING				SCALE	1:1	SHEET	1 OF 1	REV	0