

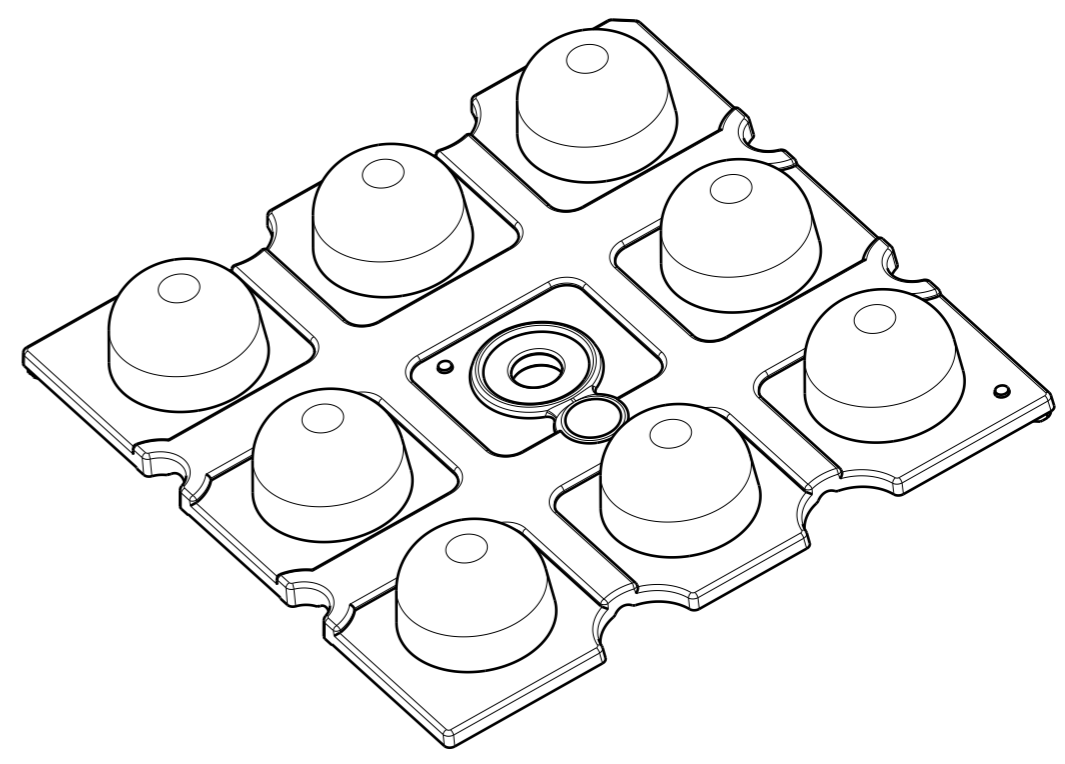
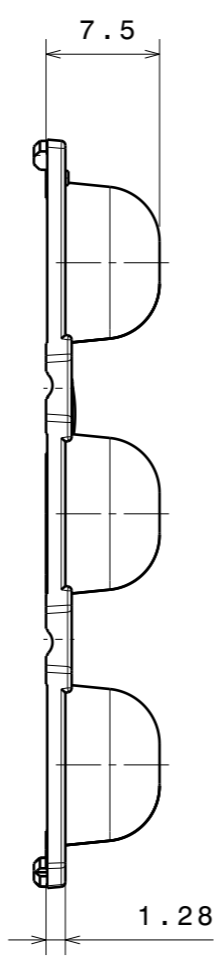
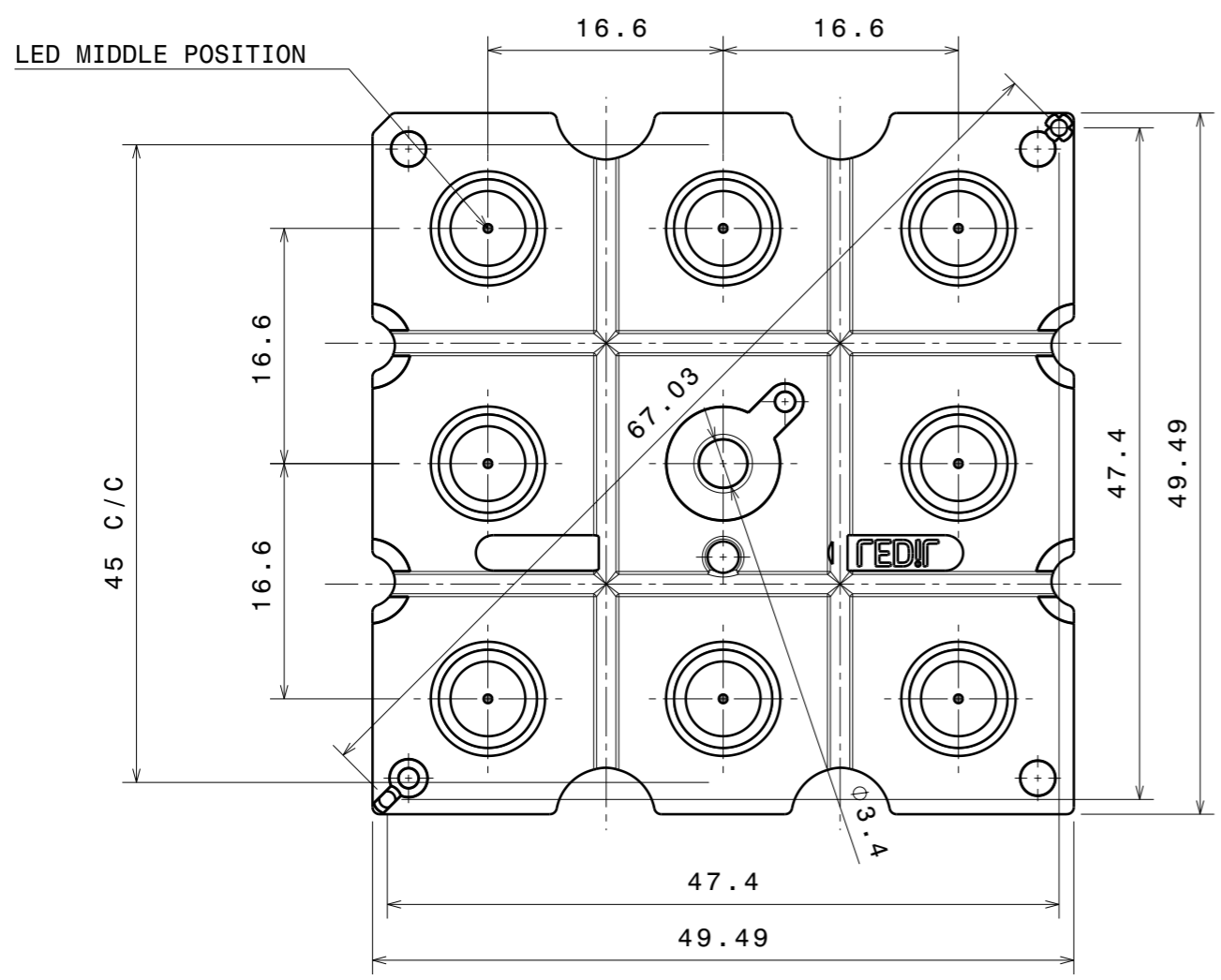
DETAILS

Product Number	C15983_STRADELLA-8-HV-HB-S
Family	Stradella
Type	Lens array
Color	clear
Diameter	49,5+49,5 mm
Height	7,5 mm
Style	rectang
Optic Material	
Holder Material	
Fastening	screw
Status	production ready
ROHS Compliant	Yes
Date Updated	10/03/2017



OPTICAL PROPERTIES

LED	Viewing Angle	Light Beam	Efficiency	cd/lm	Connector
XP-G3	sim: 33	Spot	sim: 89 %	sim: 1.400	-
XT-E	sim: 27	Spot	sim: 90 %	sim: 1.750	-
LUXEON 3535L HE	sim: 20	Spot	sim: 90 %	sim: 2.300	-
LUXEON TX	sim: 28	Spot	sim: 90 %	sim: 1.800	-
LUXEON HR30	sim: 26	Spot	sim: 91 %	sim: 2.100	-
NVSxx19B/NVSxx19C	sim: 30	Spot	sim: 88 %	sim: 1.590	-
Z8Y19	sim: 23	Spot	sim: 92 %	sim: 1.800	-



INDEX	PART NO	DESCRIPTION	MATERIAL	COLOUR
1	-	-	-	-

Tolerances if not otherwise shown
 According to DIN ISO 2768-1
 Linear measures:
 up to 30mm class M, otherwise class C
 According to DIN ISO 2768-2
 Form and position: class L

LEDiL LediL Oy
 Salorankatu 10
 FIN 24240 SALO
 Finland

THIRD ANGLE PROJECTION:

DRAWING TITLE
Datasheet_STRADELLA-HV-HB-S

This drawing is the property of LEDiL Oy. It may not be reproduced, copied or communicated without a written agreement with LEDiL Oy.

SIZE **A3** PART NUMBER -

SCALE 2:1 WEIGHT g SHEET 1/1

NOTE: The typical divergence will be changed by different color, chip size and chip position tolerance. The typical total divergence is the full angle measured where the luminous intensity is half of the peak value.