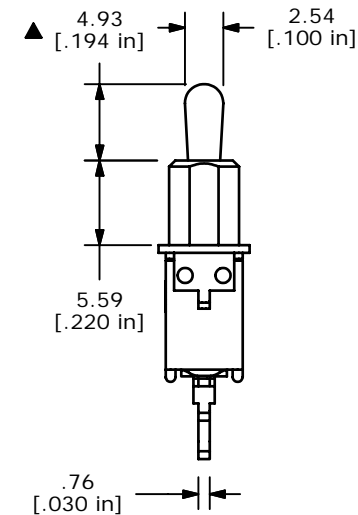
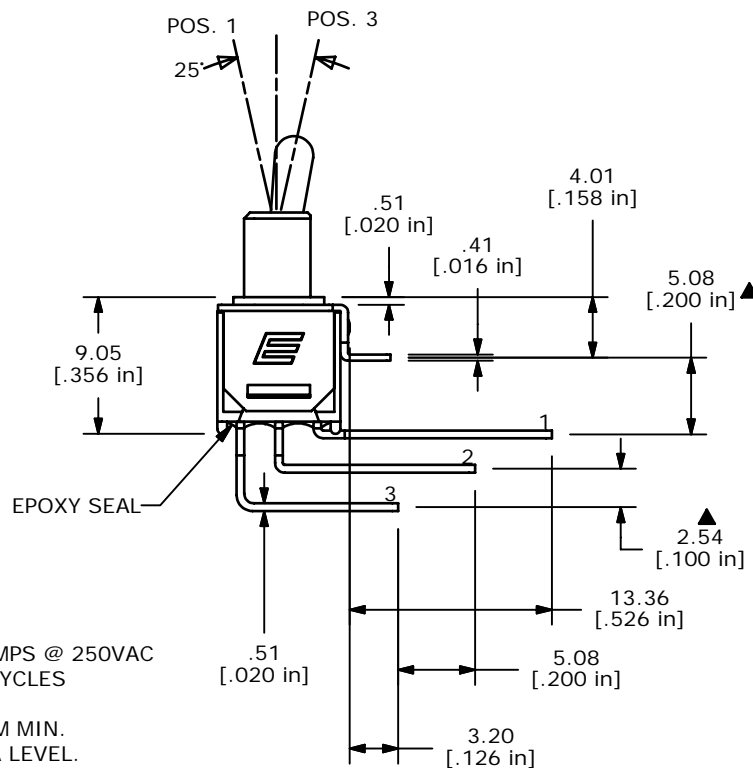
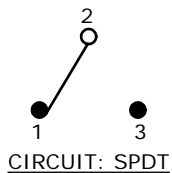


ISOMETRIC

SWITCH FUNCTION		
POS. 1	POS. 2	POS. 3
(ON)	NONE	ON
2-1	OPEN	2-3

MOMENTARY=(ON)



- NOTE:
1. ALL DIMENSIONS IN MM [INCH]
 2. GENERAL TOLERANCE: X.X=±0.4
X.XX=±0.25
 3. TERMINAL NUMBERS FOR REF ONLY
 - ▲4. RATING: 3 AMPS @ 120VAC or 28VDC; 1 AMPS @ 250VAC
 5. ELECTRIC LIFE: 30,000 MAKE-AND-BREAK CYCLES AT FULL LOAD.
 6. INSULATION RESISTANCE: 1,000 MEGA-OHM MIN.
 7. DIELECTRIC STRENGTH: 1,000 V RMS @SEA LEVEL.
 8. OPERATING TEMP.: -30°C to 85°C
 9. ▲ DENOTES CRITICAL PARAMETER.
 10. 2002/95/EC (ROHS) COMPLIANT



C	17907	CORRECT POS. 1 vs TERM. CONTACT, ETC.	12/21/07	BLR
B	17826	CHANGED SUPPORT BRACKET	10/31/07	BF
REV	PCR NO	DESCRIPTION	DATE	BY

TITLE 200MSP2T2B2M7QE				
SCALE 2:1	DATE 12/21/2007	DR BLR	DWG T211107	REV C

THE INFORMATION CONTAINED IN THIS DOCUMENT IS PROPRIETARY TO E-SWITCH AND IS NOT TO BE COPIED OR TRANSFERRED