

PRODUCT DATASHEET

Lenina series

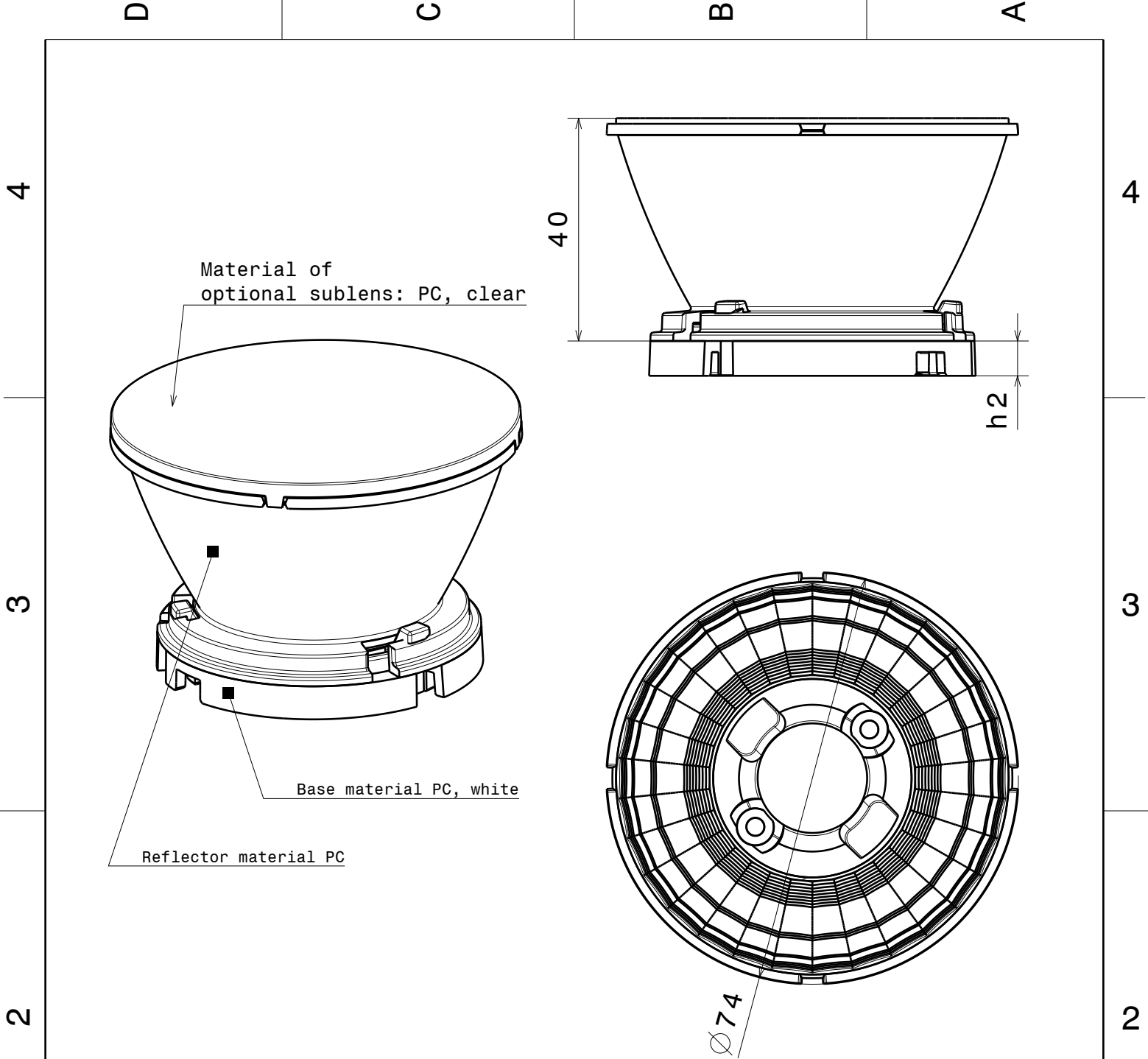
last update 31/10/2016

DETAILS

Product Number	CN13111_LENINA-M
Family	Lenina
Type	RefPack
Color	metal
Diameter	74 mm
Height	44,6 mm
Style	round
Optic Material	
Holder Material	
Fastening	screw, socket
Status	production ready
ROHS Comliant	Yes
Date Updated	31/10/2016

OPTICAL PROPERTIES

LED	Viewing Angle	Light Beam	Effi- ciency	cd/lm	Connector
Soleriq E30	39 deg	Medium	88 %	1.550	-



NOTE:

Using optional sublens, add 2.1mm to the system height

Dimension 'h2' varies from 4.5mm to 7mm depending on the LED specific base part

This drawing is our property. It can't be reproduced or communicated without our written agreement.



Ledil Oy
Salorankatu 10
FIN-24240 SALO
Finland

DRAWING TITLE

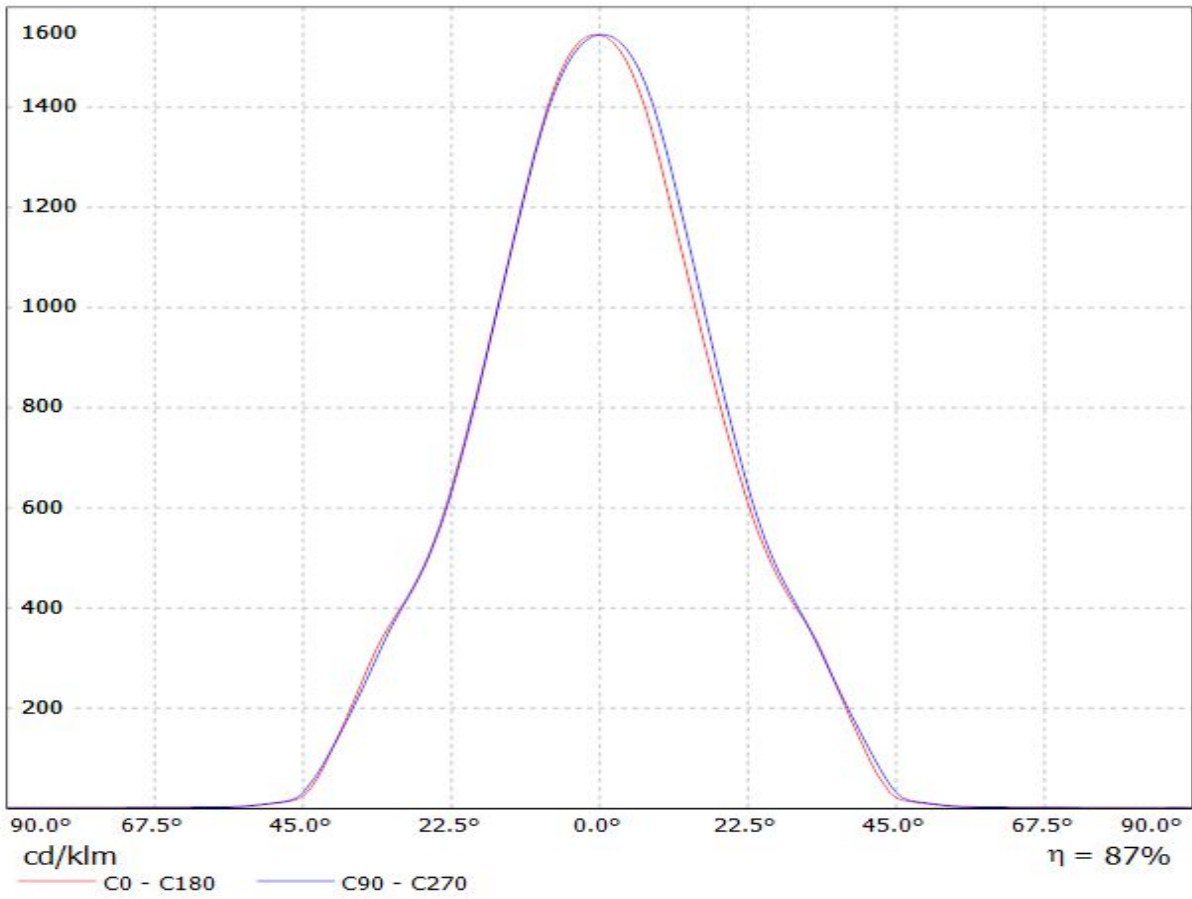
Datasheet Lenina series

DRAWN BY ks		DATE 23.04.2014		SIZE A4				DRAWING NUMBER --		REV 1	
CHECKED BY		DATE		SCALE 1:1		WEIGHT (g)		SHEET 1/1			
DESIGNED BY pl		DATE 08.03.2012									

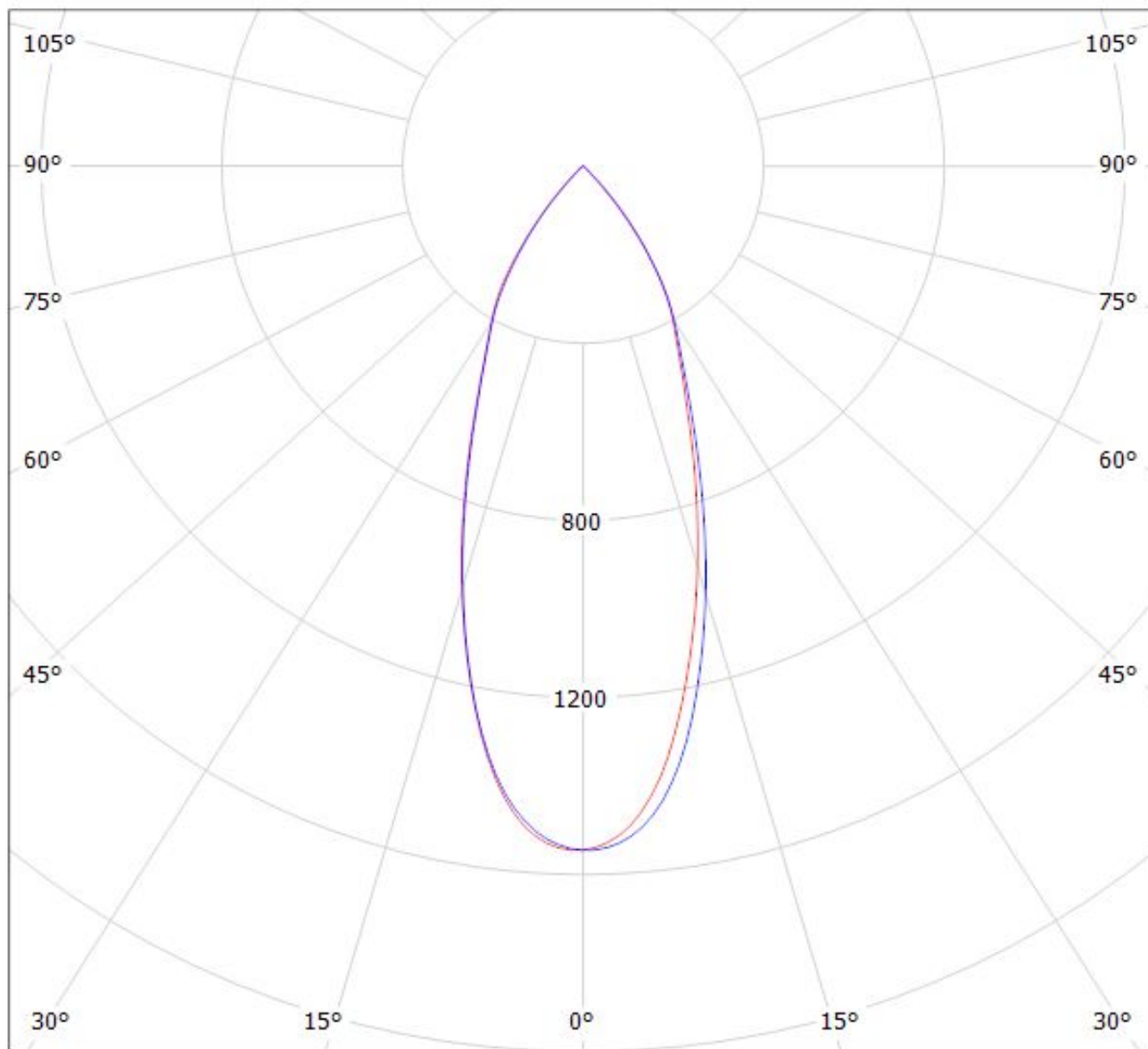
D

A

Luminaire: LEDiL Oy CN13111_LENINA-M_(SoleriqE) Eff.87.5%
Lamps: 1 x Osram SoleriqE (1262.22lm@250mA)



Luminaire: LEDiL Oy CN13111_LENINA-M_(SoleriqE) Eff.87.5%
Lamps: 1 x Osram SoleriqE (1262.22lm@250mA)



cd/klm

— C0 - C180

— C90 - C270

$\eta = 87\%$

NOTE: The typical divergence will be changed by different color, chip size and chip position tolerance. The typical total divergence is the full angle measured where the luminous intensity is half of the peak value.

GENERAL INFORMATION

- Product series especially designed & optimized for series of LEDs.
- Special care taken to make light distribution as uniform as possible.

Note! Due to use of high power COB's with this product, special attention to proper thermal design is highly recommended. LEDiL has no liability for direct, indirect or consecutive damages arising from the LEDiL products being used outside of the recommended temperature range.