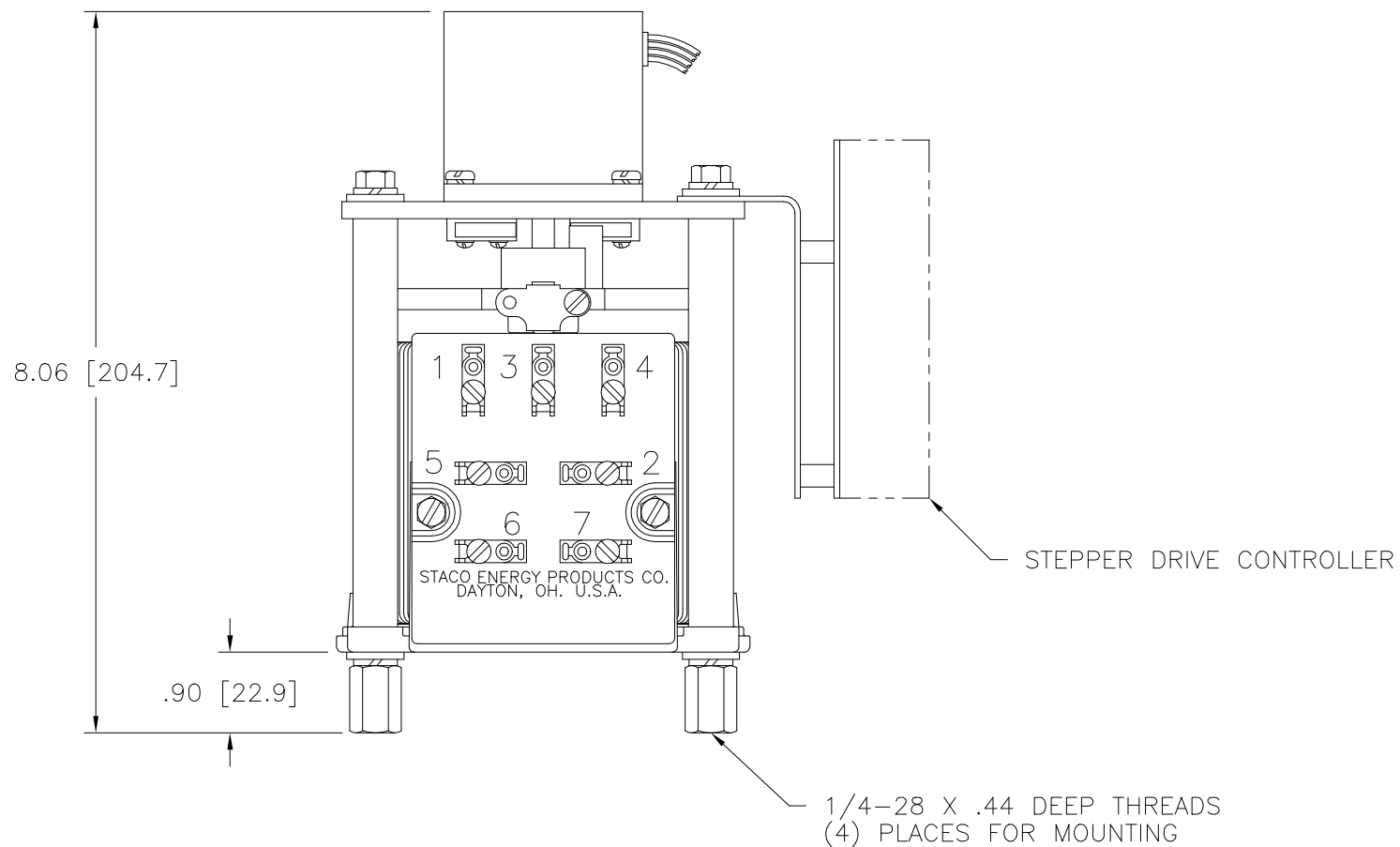
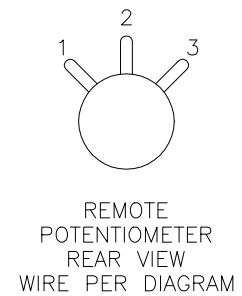
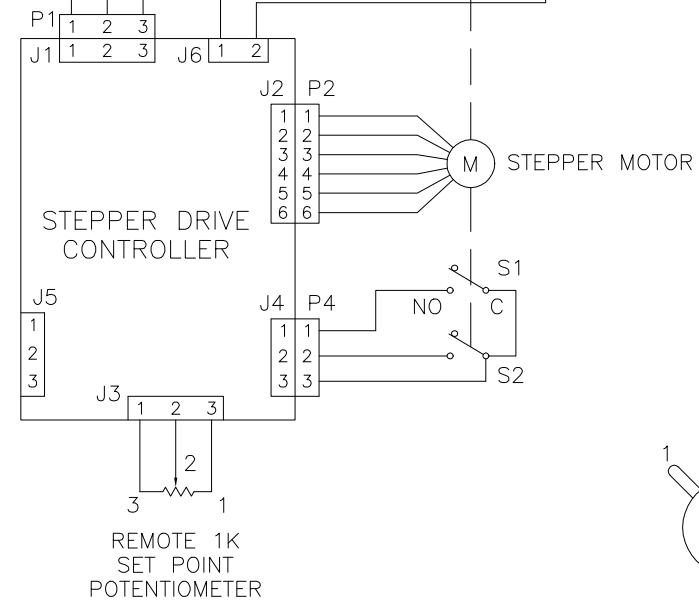
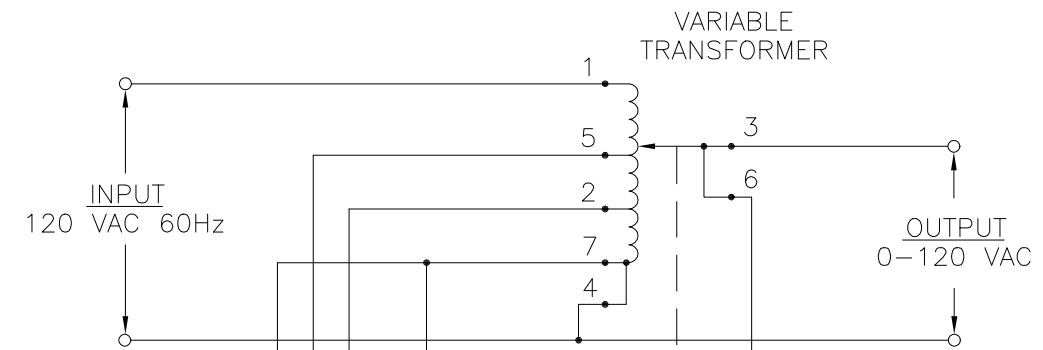
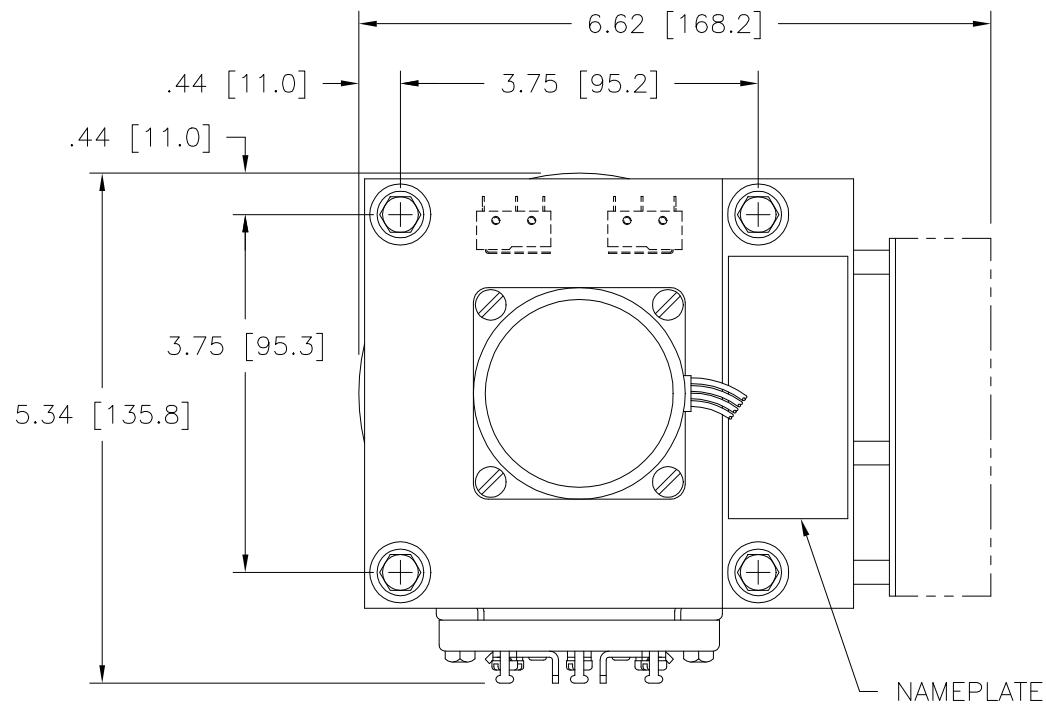


DWG. NO.	095-1801		
REVISIONS			
SYM.	E.C.N.	DATE	APVD.
A	22984	12/1/95	
	RELOCATED SWITCHES		
B	23275	12/6/96	
	8.06 WAS 7.94		
C	23938	3/1/99	
	REVISED BASE		



**SET POINT ADJUSTMENT:**  
 THE OUTPUT SET POINT MAY BE ADJUSTED WITH THE REMOTE 1K POTENTIOMETER PROVIDED OR WITH A 0-5 VDC SIGNAL TO THE J3 CONNECTOR ON THE STEPPER DRIVE CONTROLLER. MAKE CONNECTIONS TO J3-2 & J3-3.

SPECIFICATIONS									
WIRING	INPUT		OUTPUT				TERMINAL CONNECTIONS		
	VOLTS	HERTZ	VOLTS	CONSTANT CURRENT LOAD		CONSTANT IMPEDANCE LOAD		INPUT	OUTPUT
				MAX. AMPS	MAX. KVA	MAX. AMPS	MAX. KVA		
SINGLE PHASE	120	60	0-120	12	1.44	15	1.80	1-4	4-3

UNLESS OTHERWISE SPECIFIED, TOLERANCE IS #				UNITS		TITLE: SPEC. CONTROL DRAWING									
DECIMALS	HOLES	ANGLES	DRAFT	IN	MM	STEPPER DRIVEN VARIABLE TRANSFORMER SD1210									
.XX	.0000-.06	.002	1°	1-1/2°											
MATERIAL:						DRAWN BY: S.A. SMITH									
ALL DIMENSIONS APPLY AFTER PLATING						DATE: 9/12/95		FIRST USED ON:		DO NOT SCALE DWG.					
The information and design disclosed herein was originated by and is the property of STACO ENERGY PRODUCTS CO., which reserves all patent, proprietary, design, manufacturing, reproduction, use and sale rights thereto, and to any article disclosed therein except to the extent rights are expressly granted to others. The foregoing does not apply to vendor proprietary parts.						CHECKER:		DATE:		WEIGHT APPROX.:					
						ENGINEER:		DATE:		SCALE: 1=1		CODE IDENT. NO. 83008		DWG. NO. 095-1801	
												SHEET 1 OF 1		D	

