

NUMBER C-175188

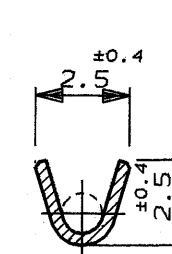
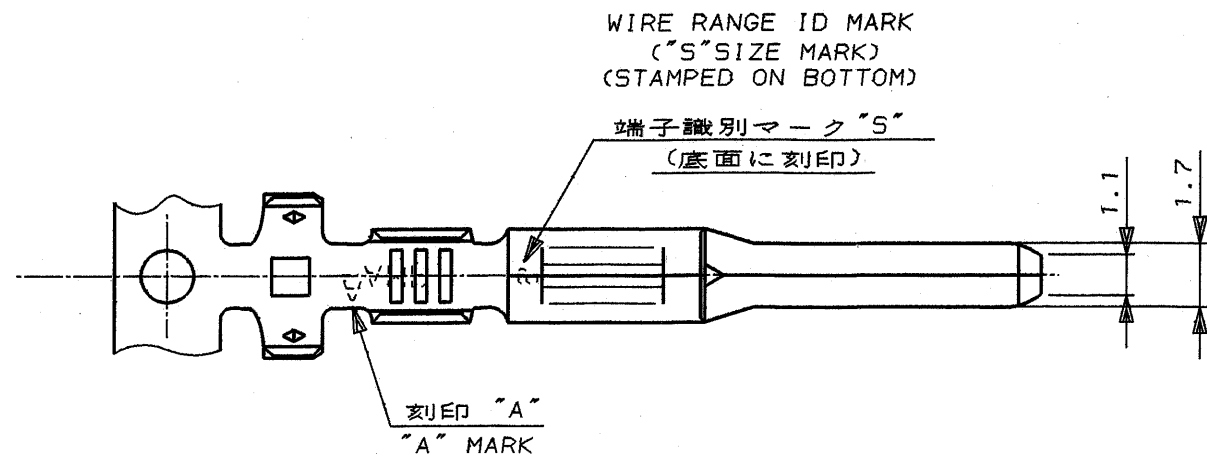


METRIC

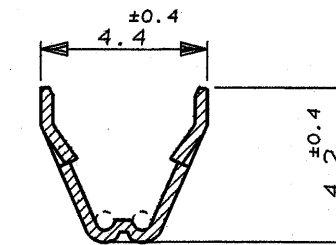
DIMENSIONS IN MILLIMETERS. DO NOT SCALE PRINT E20996>U.070>U.S.S.C-TAB-MAZDA

PRINT DIST

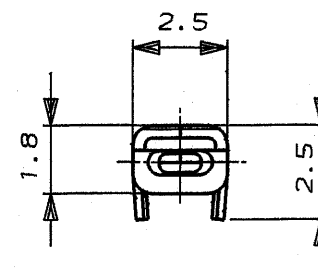
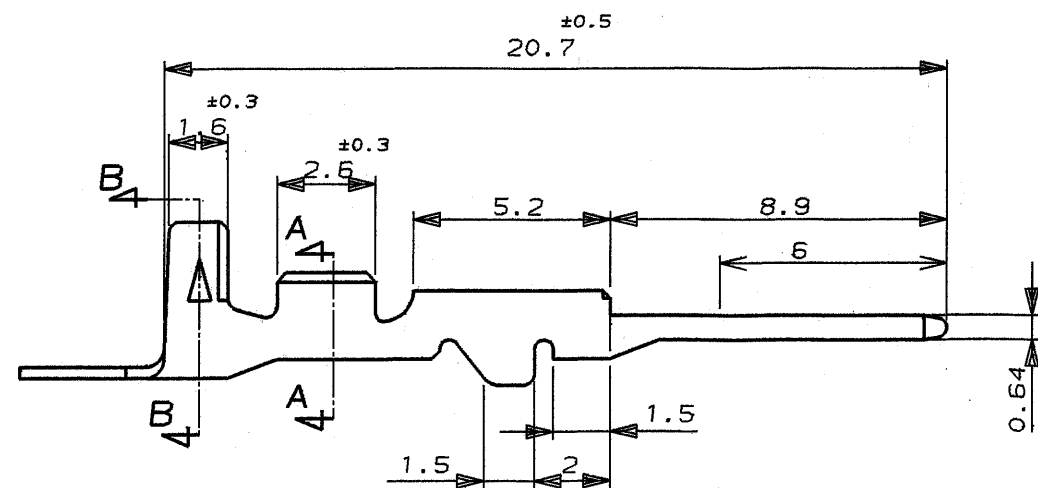
AMP-J REV. 10/83



断面 A-A
SECT A-A



断面 B-B
SECT B-B



注:

1. 製品規格; 108-5264

NOTE;

1. SPEC : 108-5264

INACTIVE
DATE FOR
6 JUN 90 J-12527

錫めつき済 PRE-TINNED	實銅 板厚0.32 BRASS t0.32	175188-1
仕上 FINISH	材料 MATERIAL	型番 PART NUMBER

AMP AMP (JAPAN), LTD.
Tokyo, Japan

WIRE RANGE AVS 0.2~0.3 mm ² (AWG#24~22)	INSULATION DIA 1.4~1.9 mmφ	NAME .070 SERIES TAB CONTACT .070シリーズ タブ コンタクト
MATERIAL SEE TABLE 表参照	FINISH SEE TABLE 表参照	GENERAL TOLERANCE 0w≤ 10 : ±0.2 10w≤ 30 : ±0.25 30w≤ 100 : ±0.3 ANGLES : ±3°
SIZE LOC NUMBER A3 J C-175188		SCALE REV SHEET 5-1 A 1 OF 1

A	INACTIVE	TS	DA	6/6	90
0	RELEASED 作成 J-12212	TS	MO	1/8	90
LTR	REVISION RECORD	DR	CHK	DATE	

DR. *N. Ajima* 1/8 '90 DE. *T. Sagawa* 1/8 '90
CHK. *M. Oshima* 1/8 '90 APP. *Y. Iwano* 1/8 '90

CUSTOMER DRAWING