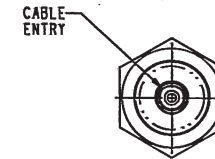
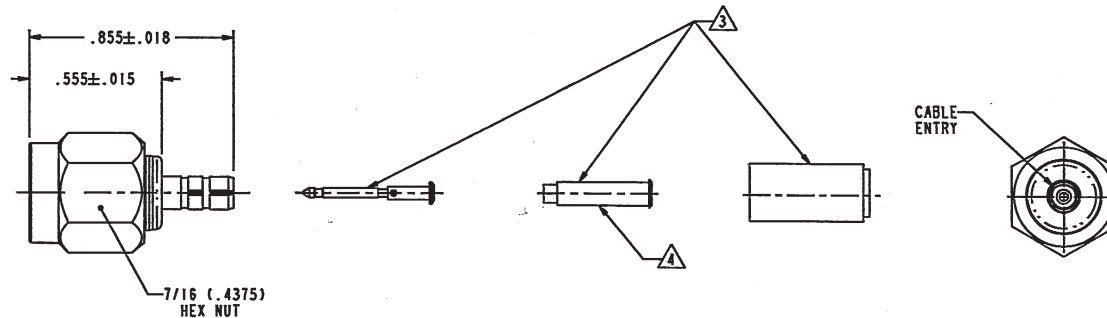
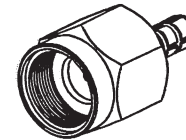


DASH NO	CABLES ACCOMMODATED	A HEX	ASSEMBLE PER	
-001	RG-178, -196	.178	TAI-216	
-002	HEWLETT PACKARD 8120-1107	.197		
-003	RG-174, 316	.178		
-004	RG-179, 187			
-005	NORTHERN ELECTRIC DBL-SHLD RG-187	.197		
-006	GC875GP1, GRUMMAN DBL-SHLD RG-188	.178		
-007	275-3991, MICRODOT			
-008	RG-195, -180 421-111, ESSEX			
-009	8218, BELDEN YR23023 BELDEN 21-597, ESSEX	.213		
-011	RG-58; RG-141; RG-303, TCC-50-2			
-013	RG-59			
-013A	TCC-75-2,			.255
-013B	RG-62			
-014	8212, BELDEN			
-015	730A, LUCENT			.290
-015A	RG-71			
-016	724, LUCENT 8281, BELDEN			.324
-017	RG-6			.344
-018	9268, BELDEN	.255		
-019	8279, BELDEN			
-020	9248, BELDEN	.290		
-021	88240, BELDEN	.213		
-022	88241, 88269, BELDEN	.255		
-023	89108, BELDEN			
-024	89120, BELDEN	.290		
-025	734A, LUCENT	.255		
-026	735A, LUCENT	.178		
-027	KS19224L2, LUCENT			

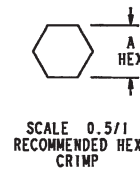
REVISIONS			
REV	DESCRIPTION	DATE	APPROVED
H	REVISED PER ECO 16195	7/31/06	Mike



RED INDICATES ORIGINAL

- ⚠ SLEEVE REQD ON -001 THRU -007 & -027
- ⚠ PIN, SLEEVE, & CRIMP SLEEVE SUPPLIED LOOSE
- 2. FINISH: TFS-1U (NICKEL) BODY
TFS-1B 2G (GOLD) PIN
- 1. 75 OHM *F* TYPE TOOL CRIMP PLUG

NOTES: UNLESS OTHERWISE SPECIFIED.



INTERPRET DRAWING PER MIL-STD-100. DIMENSIONS ARE IN INCHES AND INCLUDE FINISH THICKNESS UNLESS OTHERWISE SPECIFIED.		TOL: UNLESS SPECIFIED .XX ± .02 .XXX ± .010 ANGLE ± 1°		TROMPETER RF connectivity <small>a crimp connectivity solutions brand</small>	
DESIGNED BY: J. CARPENTER 07-07-06 CHECKED BY: [Signature] 7/31/06 DATE: 7/31/06		MATERIAL: [Blank] FINISH: [Blank]		TITLE: PL130SC	
APPROVED BY: [Signature] 7/31/06 PROJECT FILE NO: 1-0547		SCALE: B 14949 DO NOT SCALE DWG		DRAWING NO. 1-0547 DATE 11-20-96 SHEET IC	