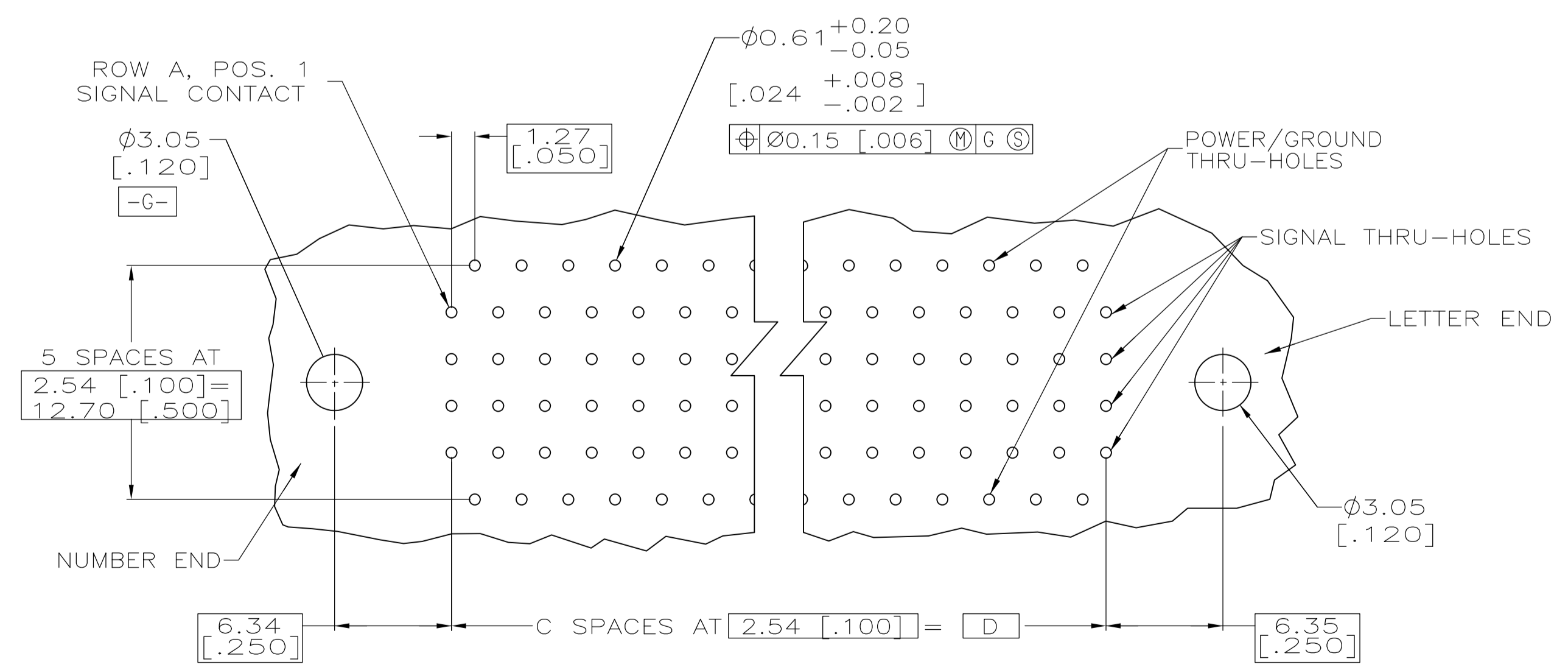
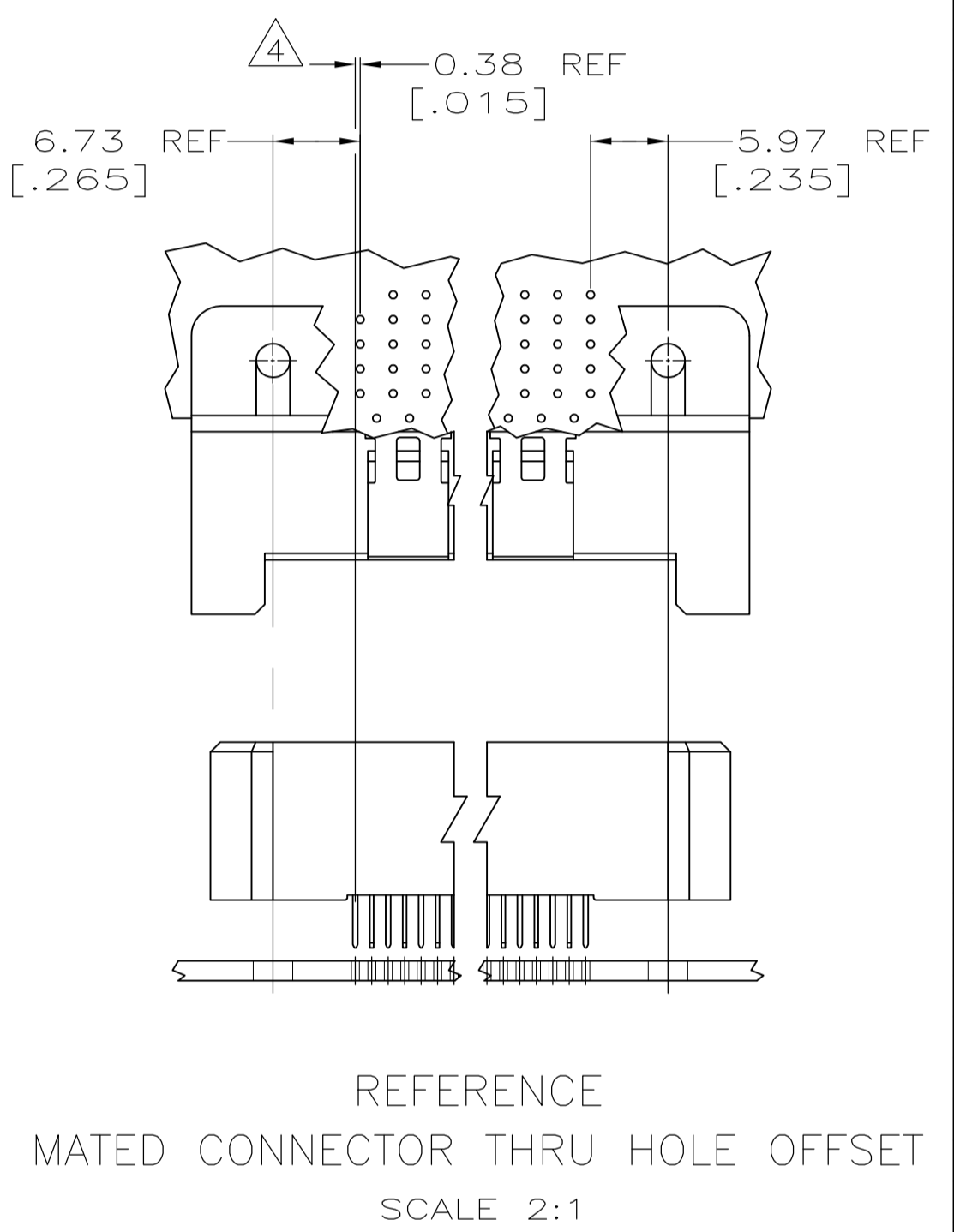
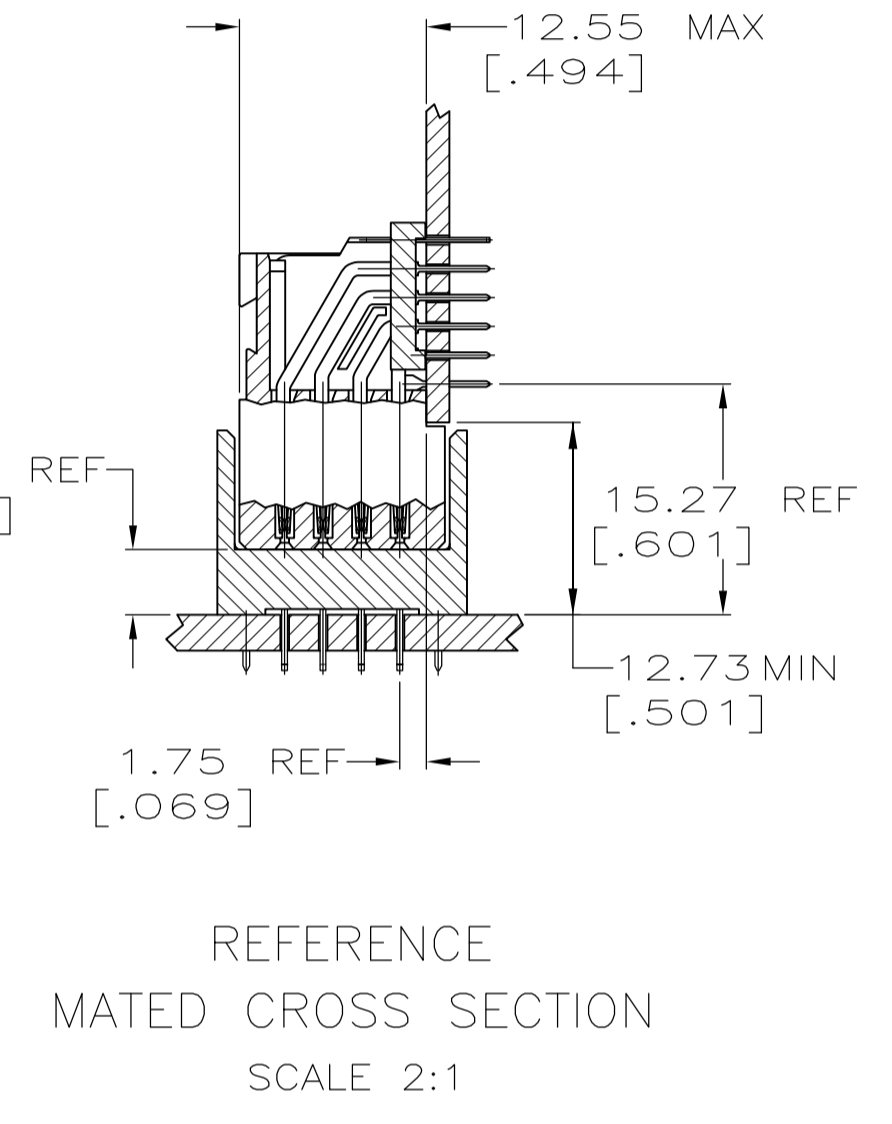
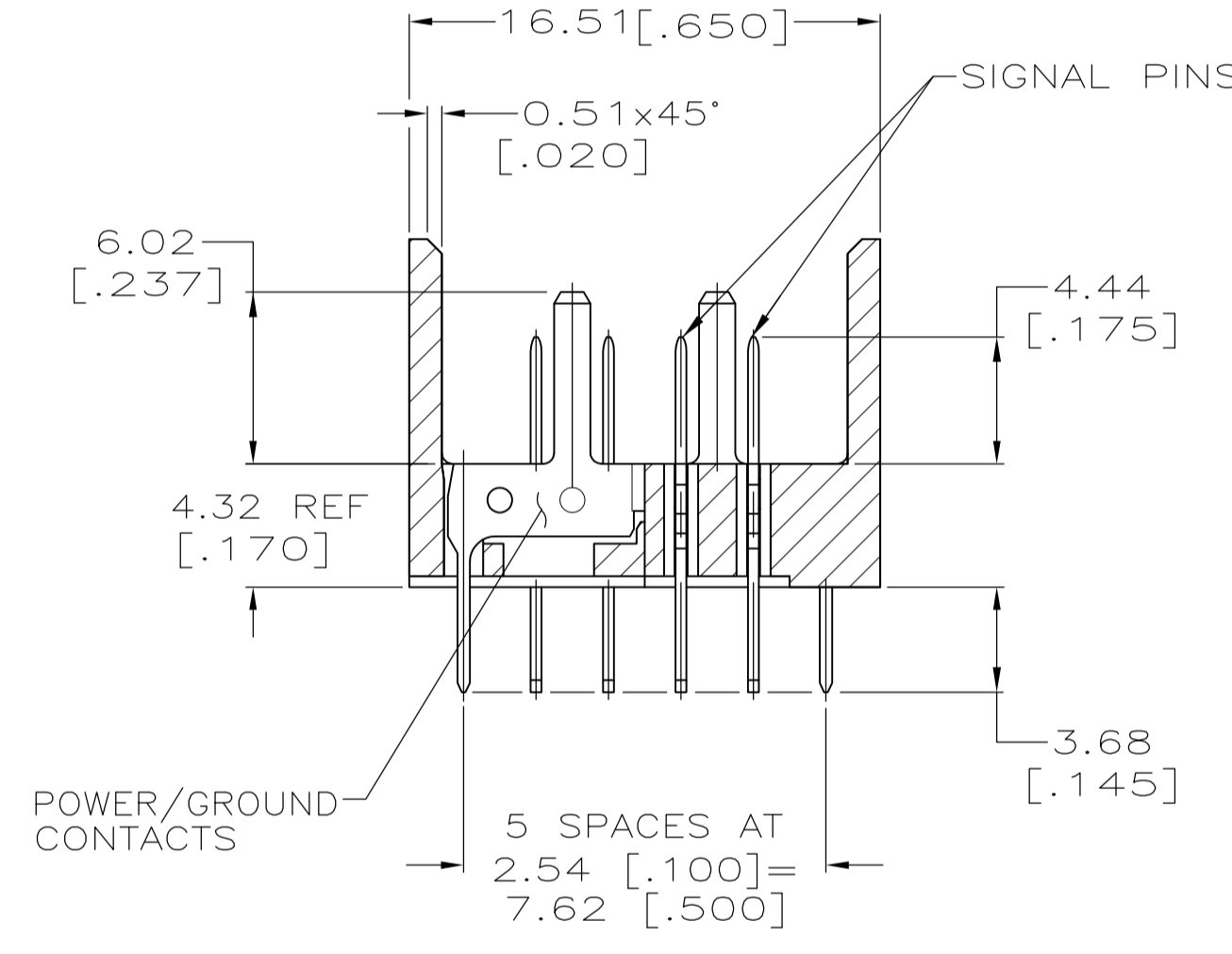
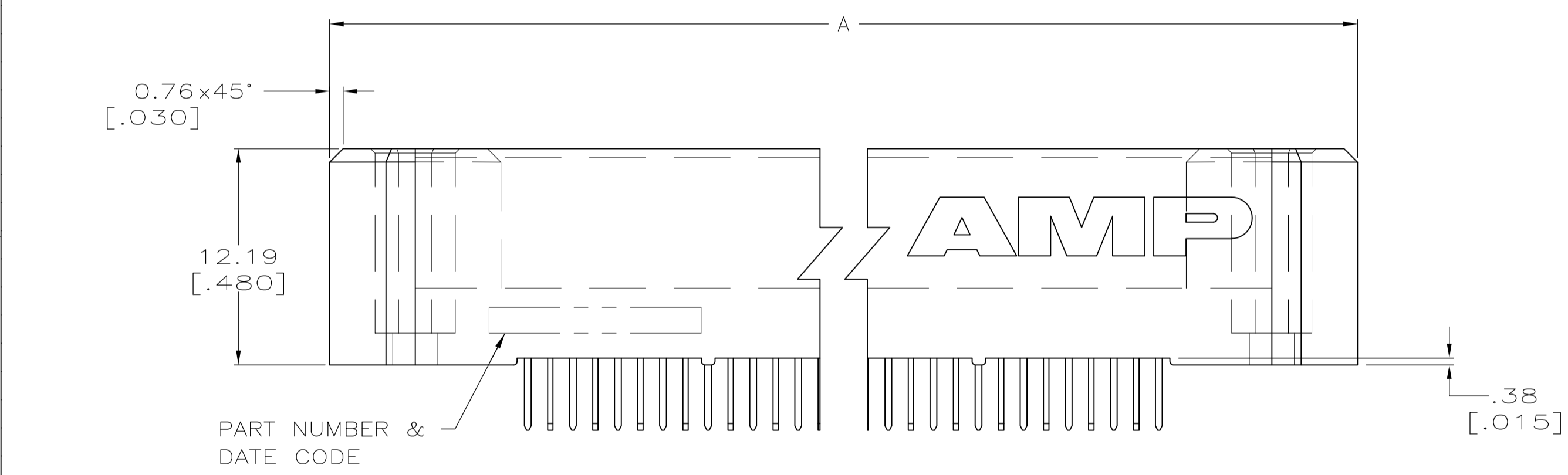
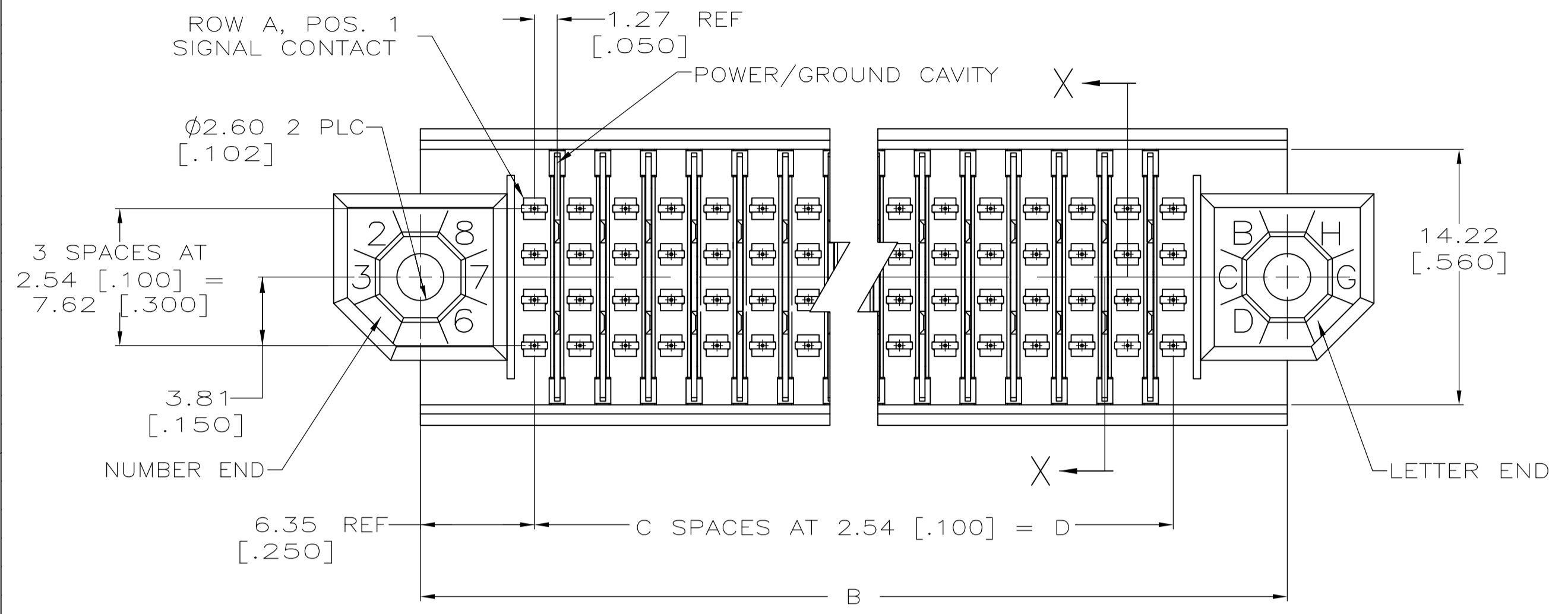


LOC		DIST		REVISIONS			
AD	00	P	LTR	DESCRIPTION	DATE	DMN	APVD
A3	REVISED PER ECO-12-012589				15OCT12	KH	MH



- 1 HOUSING AND ORGANIZER MATERIAL: LIQUID CRYSTAL POLYMER, COLOR, BLACK
- 2 SIGNAL AND GROUND PLANE CONTACT MATERIAL: PHOSPHOR BRONZE
- 3 CONTACT FINISH: 0.00127 (.000050) MIN. NICKEL UNDERPLATE PER SAE-AMS-QQ-N-290, GOLD FLASH PER ASTM B 488 OVER 0.00076 (.000030) MIN. PALLADIUM-NICKEL ON CONTACT AREA, 0.0038 (.000150) MIN MATTE TIN PER ASTM B 545 ON CONTACT TAILS.
- 4 RECEPTACLE ASSEMBLY SOLDER LEADS ARE OFFSET .015 TOWARD THE LETTER END OF THE CAVITY CENTERLINE. THE PIN ASSEMBLY SOLDER LEADS ARE IN LINE WITH THE CAVITY CENTERLINE.
- 5 OBSOLETE PART NUMBER.
- 6 OBSOLETE PARTS: OBSOLETE CIS STREAMLINING PER D.RENAUD/D.SINISI

SECTION X-X
ROTATED 90° CW

RECOMMENDED CURCUIT PATTERN
PER ANSI/IPC-D-300 TYPE II, CLASS C
(COMPONENT SIDE)

NO OF SIGNAL POS	280	240	220	180	140	100	PART NO
69	187.96 [7.400]	172.21 [6.780]	159.51 [6.280]	134.11 [5.280]	108.71 [4.280]	83.31 [3.280]	5646245-7
59	162.56 [6.400]	149.86 [5.900]	137.16 [5.400]	124.46 [4.900]	99.06 [3.900]	73.66 [2.900]	5646245-6
54	149.86 [5.900]	137.16 [5.400]	124.46 [4.900]	111.76 [4.400]	86.36 [3.400]	60.96 [2.400]	5646245-5
44	124.46 [4.900]	111.76 [4.400]	86.36 [3.400]	86.36 [3.400]	86.36 [3.400]	86.36 [3.400]	5646245-4
34	99.06 [3.900]	86.36 [3.400]	86.36 [3.400]	86.36 [3.400]	86.36 [3.400]	86.36 [3.400]	5646245-3
24	73.66 [2.900]	60.96 [2.400]	60.96 [2.400]	60.96 [2.400]	60.96 [2.400]	60.96 [2.400]	5646245-2
	D	C	B	A			

THIS DRAWING IS A CONTROLLED DOCUMENT.

DIMENSIONS: mm [INCHES]	TOLERANCES UNLESS OTHERWISE SPECIFIED:	DIN D.R.BENDER 10/07/92	APVD S.HEADER 10/09/92	NAME Z-PACK Stripline 100 PIN ASSEMBLY, INTEGRAL, 3.68 [0.145] LEAD LENGTH SOLDER LEAD
0 PLC ± -	1 PLC ± -	10/07/92	10/09/92	100-1244
2 PLC ± 0.51 [0.02]	3 PLC ± 0.25 [0.010]			
4 PLC ANGLES ± -				
MATERIAL	FINISH	SIZE A1	CAGE CODE 00779	DRAWING NO 5646245
		WEIGHT (TBD)	RESTRICTED TO	
		CUSTOMER DRAWING	SCALE 4:1	SHEET 1 of 1

STE TE Connectivity