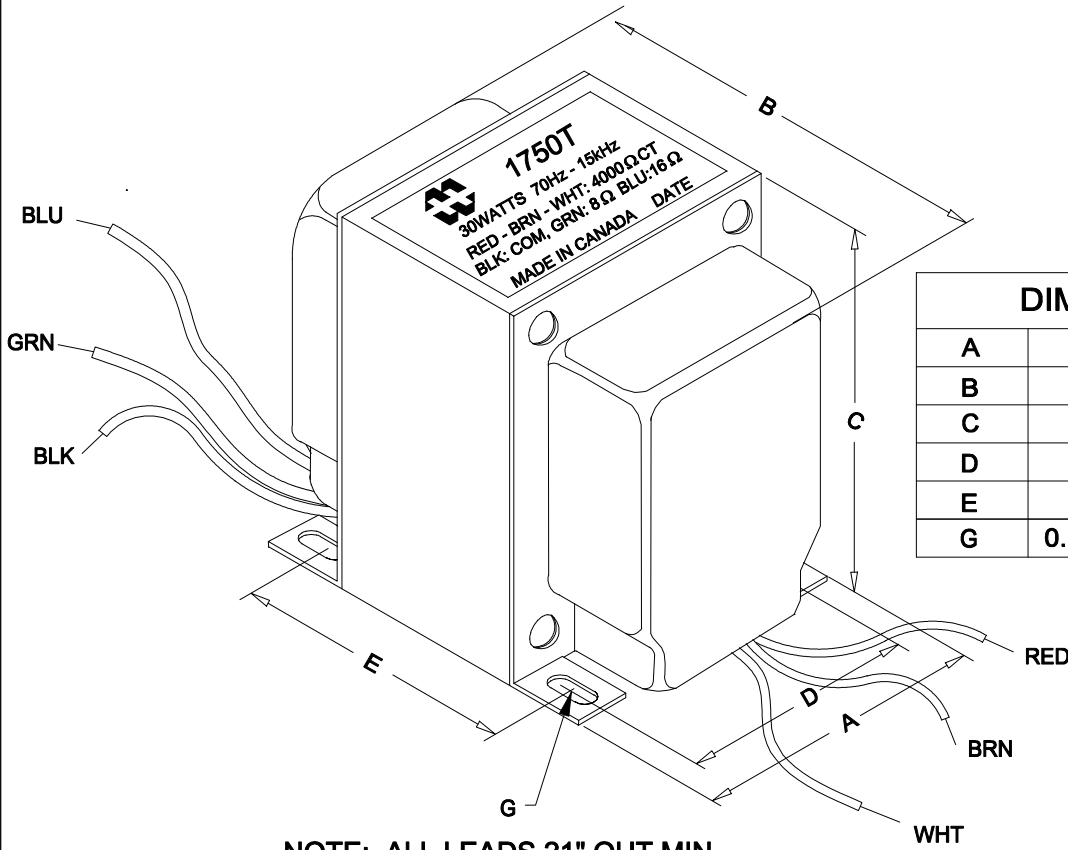


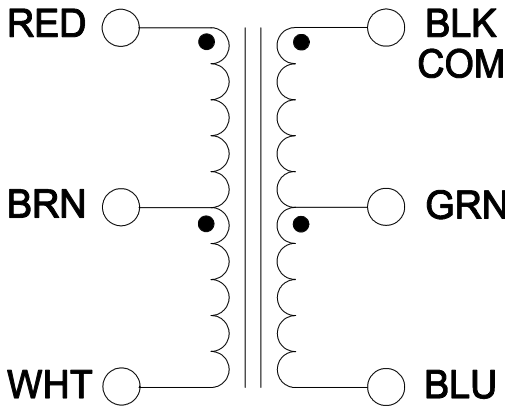
1750T



DIMENSIONS:	
A	3.125" ±0.063
B	3.810" ±0.125
C	3.800" ±0.063
D	2.500" ±0.063
E	2.300" ±0.063
G	0.188" x 0.406" ±0.015

NOTE: ALL LEADS 21" OUT MIN

PRIMARY SECONDARY



ELECTRICAL DATA:

Turns ratio:	15.86 : 1
Inductance	@120V, 70Hz =>6.82H (Open circuit)
DCR	@ 20°C, RED - BRN =54.0Ω ±20%
	@ 20°C, BRN - WHT =60.0Ω ±20%
	@ 20°C, BLK - GRN =0.35Ω ±20%
	@ 20°C, GRN -BLU =0.17Ω ±20%
FREQ. RESP	@ 30W, 70Hz - 15kHz REF. TO 1kHz ±1dB
Pri. Impedance	4000 Ω CT (346V)
Sec. Impedance	8 Ω (15.49V), 16 Ω (21.91V)
Power	30 WATTS



**HAMMOND  
 MANUFACTURING**

52 RANKIN PLACE,  
 WATERLOO, ONTARIO, N2L 3Z5.  
 PHONE (519) 886-6181  
 FAX # (519) 886-9540

TITLE **GUITAR AUDIO TRANSFORMER**

			DR BY IOAN POP
0	05/11/09	PRELIMINARY.	DATE 05/11/09
NO	DATE	REVISION	DIM IN(X)MM( )

1750T