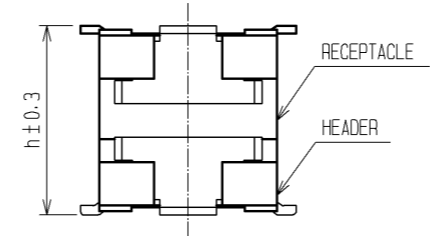


NOTES 1 LEAD CO-PLANARITY INCLUDE REINFORCED METAL FITTINGS SHALL BE 0.1mm MAX .
2 WHEN A PART MARKED WITH HAS A PATTERN BUT NO RESIST ON IT. TAKE CARE TO PREVENT THE CONNECTOR FROM TOUCHING IT.

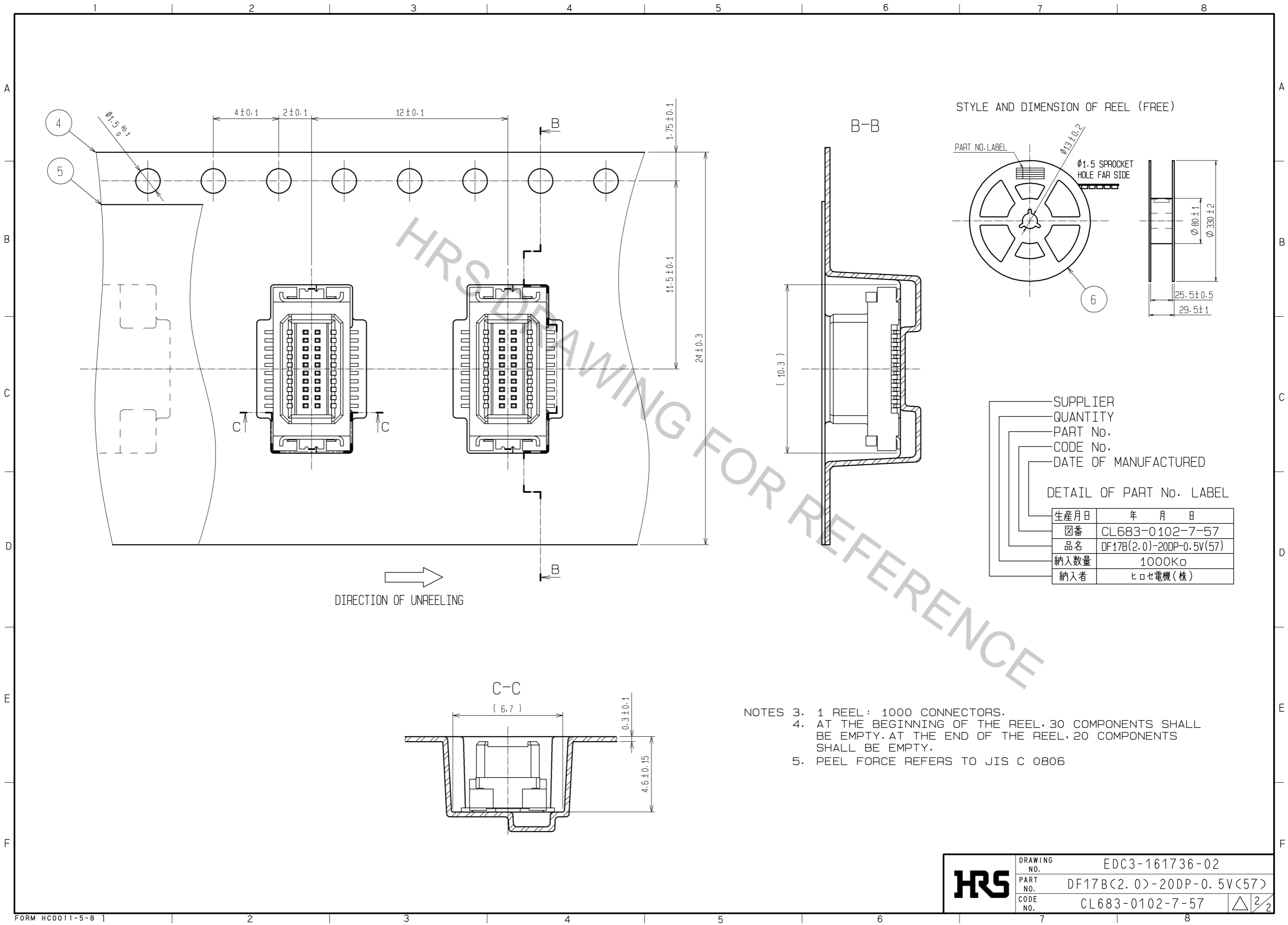
MATED HIGHT (h)		(mm)	
HEADER NO.	RECEPTACLE NO.	DF17*(3.0)-20DS-0.5V(57)	DF17*(4.0)-20DS-0.5V(57)
DF17B(2.0)-20DP-0.5V(57)	5		6



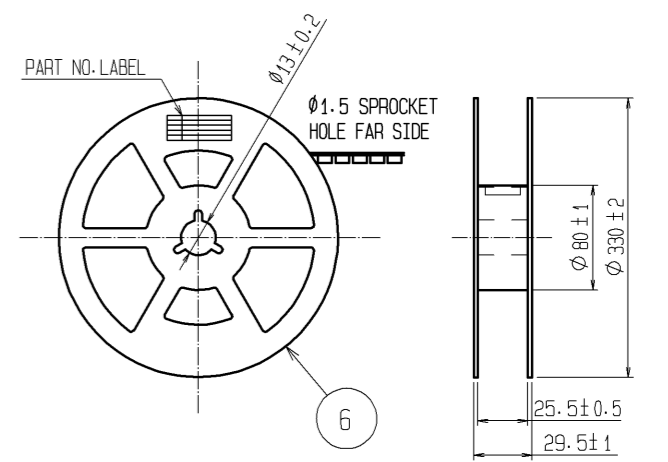
NO.	MATERIAL	FINISH . REMARKS	NO.	MATERIAL	FINISH . REMARKS
2	POLYAMIDE (PA6T)	WHITE BEIGE , UL94V-0	6	PS	PLASTIC REEL , BLACK
1	PHOSPHER BRONZE	CONTACT AREA:GOLD PLATED 0.1μm min	5	POLYESTER	CLEAR (COVER TAPE)
		LEAD AREA:TIN PLATED 1μm min UNDER PLATING:NICKEL PLATED 1μm min	4	A-PET	CLEAR(EMBOSSD CARRIER TAPE)
			3	PHOSPHER BRONZE	TIN PLATED : 1μm min UNDER PLATING:NICKEL PLATED 1μm min

UNITS	SCALE	COUNT	DESCRIPTION OF REVISIONS	DESIGNED	CHECKED	DATE
mm	5 : 1	△				

APPROVED : KH. IKEDA	08.09.16	DRAWING NO.	EDC3-161736-02
CHECED : TS. MIYAZAKI	08.09.16	PART NO.	DF17B(2.0)-20DP-0.5V(57)
DESIGNED : TY. YAMASAKI	08.08.19	CODE NO.	CL683-0102-7-57
DRAWN : TY. YAMASAKI	08.08.19		



STYLE AND DIMENSION OF REEL (FREE)



SUPPLIER
 QUANTITY
 PART No.
 CODE No.
 DATE OF MANUFACTURED

DETAIL OF PART No. LABEL

生産月日	年 月 日
図番	CL683-0102-7-57
品名	DF17B(2.0)-20DP-0.5V(57)
納入数量	1000K α
納入者	ヒロセ電機(株)

- NOTES
- 1 REEL : 1000 CONNECTORS.
 - AT THE BEGINNING OF THE REEL, 30 COMPONENTS SHALL BE EMPTY. AT THE END OF THE REEL, 20 COMPONENTS SHALL BE EMPTY.
 - PEEL FORCE REFERS TO JIS C 0806

HRS	DRAWING NO.	EDC3-161736-02
	PART NO.	DF17B(2.0)-20DP-0.5V(57)
	CODE NO.	CL683-0102-7-57
		\triangle 2/2