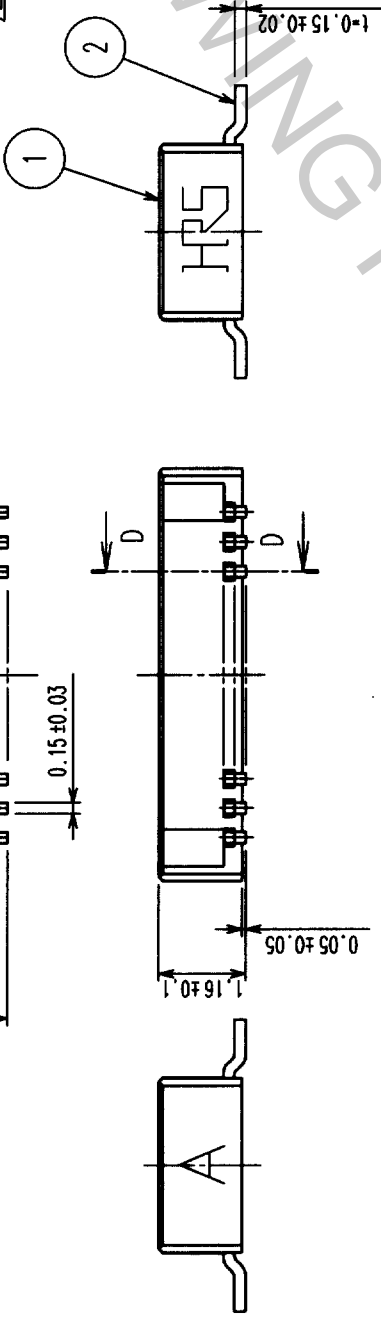


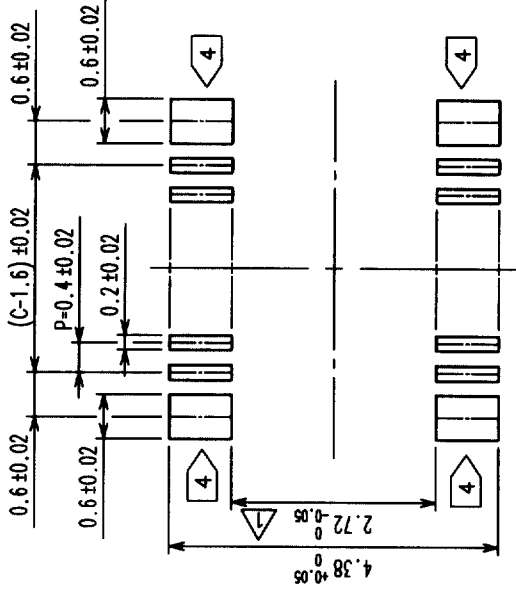
COUNT	DESCRIPTION OF REVISIONS	BY	CHKD	DATE	COUNT	DESCRIPTION OF REVISIONS	BY	CHKD	DATE
4	RE-H-04502	M.G	K.A	01.06.22					
15	RE-H-05037	M.G	T.O	02.05.16					

PART NO.	CODE NO.	CONTACT	A	B	C
DF18D-20DP-0.4V(51)	CL684-0029-5-51	20	5.56	4.24	4.40
DF18D-30DP-0.4V(51)	CL684-0030-4-51	30	7.56	6.24	6.40
DF18E-40DP-0.4V(51)	CL684-0031-7-51	40	9.56	8.24	8.40
DF18E-50DP-0.4V(51)	CL684-0032-0-51	50	11.56	10.24	10.40
DF18C-60DP-0.4V(51)	CL684-0010-7-51	60	13.56	12.24	12.40
DF18C-70DP-0.4V(51)	CL684-0028-2-51	70	15.56	14.24	14.40
DF18C-80DP-0.4V(51)	CL684-0011-0-51	80	17.56	16.24	16.40
DF18C-100DP-0.4V(51)	CL684-0012-2-51	100	21.56	20.24	20.40
DF18C-120DP-0.4V(51)	CL684-0014-8-51	120	25.56	24.24	24.40

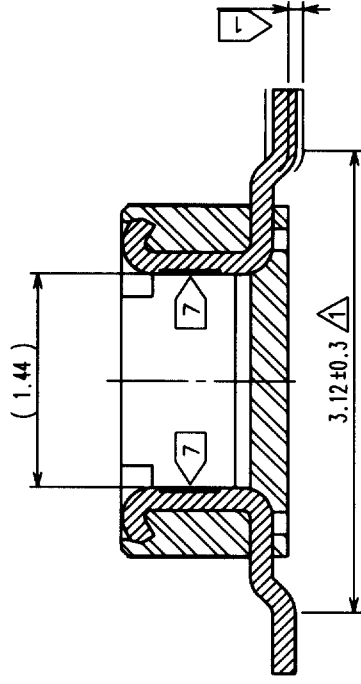
UNDER PLANNING



RECOMMENDED PATTERN



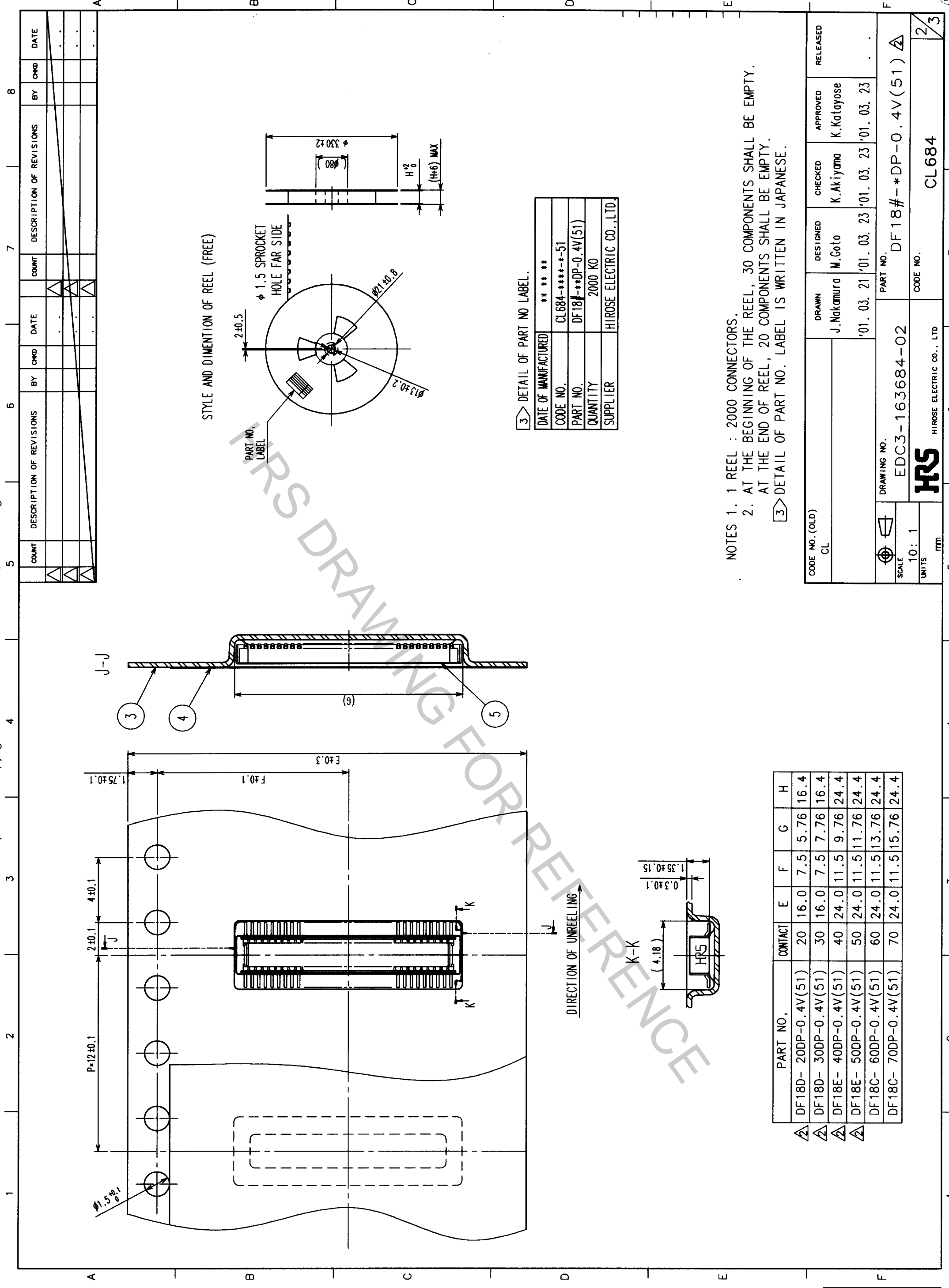
D-D(20:1)



- NOTES
- 1 LEAD CO-PLANARITY SHALL BE 0.1 mm MAX.
 - 2 IN CASE OF SOLDERING A CONTACT AREA MANUALLY, CLEANING SHALL BE REQUIRED.
 - 3 PREVENTIVE HOLE FOR SINKAGE MAY BE SETUP AT THE INDICATED POSITION.
 - 4 EACH ONE CONTACT AT 4 CORNERS HAVE NO CONDUCTIVITY WITH THE MATING HALF. THEY SHALL BE USED AS METAL HOLD DOWN.
 - 5 THIS PRODUCT TO BE SHIPPED BY TAPE AND REEL PACKAGE. REFER TO NEXT SHEET FOR DETAILS OF PACKAGING SPECIFICATIONS.
 - 6 USE METAL SCREEN, THICKNESS 0.12mm. SET UP THE SIZE OF THE METAL SCREEN HOLE TO THE PATTERN IN 70%.
 - 7 THE CONCAVITY ON CONTACT IS PROVIDED FOR SECURER MATING. 20, 30, 40 AND 50 POS ARE SECURER MATING TYPE.

NO.	MATERIAL	FINISH, REMARKS	NO.	MATERIAL	FINISH, REMARKS
2	COPPER ALLOY	GOLD PLATED	5	CONNECTOR	
1	LCP	NATURAL (BLACK), UL94V-0	4	POLYESTER	CLEAR (COVER TAPE)
NO.	MATERIAL	FINISH, REMARKS	3	PS	CLEAR (EMBOSSED CARRIER TAPE)
CODE NO. (OLD)	CL				
DRAWN	DESIGNED	CHECKED	APPROVED	RELEASED	
J. Nakamura	M. Goto	K. Akiyama	K. Katayose		
01. 3. 21	01. 3. 23	01. 3. 23	01. 3. 23		
DRAWING NO.	PART NO.				
EDC3-163684-02	DF18#-DP-0.4V(51)				
SCALE	CODE NO.				
10 : 1	CL684				
UNITS					
mm					

TO



STYLE AND DIMENTION OF REEL (FREE)

3 > DETAIL OF PART NO LABEL.

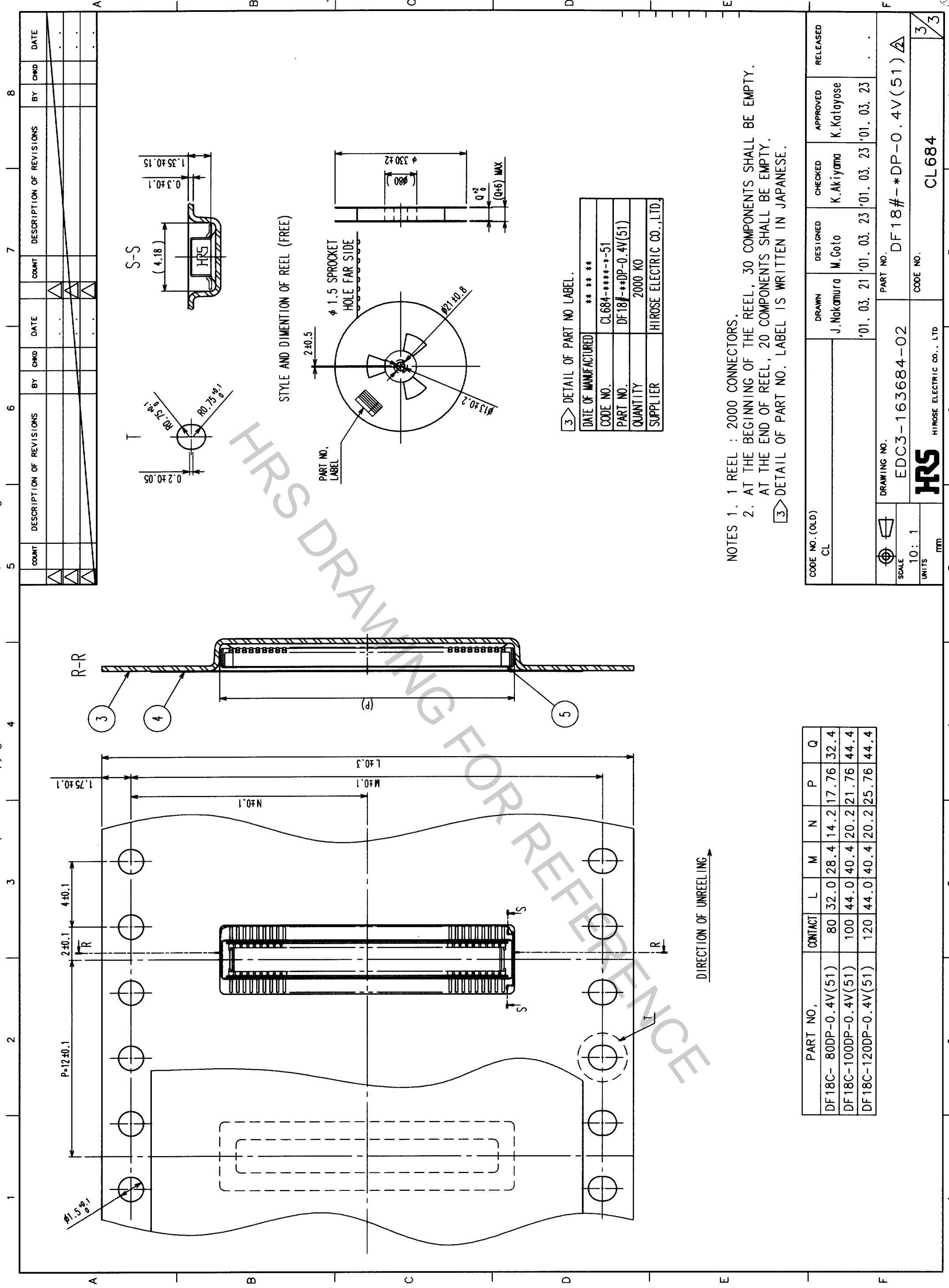
DATE OF MANUFACTURED	*** ** *
CODE NO.	CL684-****-51
PART NO.	DF18#-**DP-0.4V(51)
QUANTITY	2000 K0
SUPPLIER	HIROSE ELECTRIC CO.,LTD.

NOTES 1. 1 REEL : 2000 CONNECTORS.
 2. AT THE BEGINNING OF THE REEL, 30 COMPONENTS SHALL BE EMPTY.
 AT THE END OF REEL, 20 COMPONENTS SHALL BE EMPTY.
 3 > DETAIL OF PART NO. LABEL IS WRITTEN IN JAPANESE.

PART NO.	CONTACT	E	F	G	H
DF18D- 20DP-0.4V(51)	20	16.0	7.5	5.76	16.4
DF18D- 30DP-0.4V(51)	30	16.0	7.5	7.76	16.4
DF18E- 40DP-0.4V(51)	40	24.0	11.5	9.76	24.4
DF18E- 50DP-0.4V(51)	50	24.0	11.5	11.76	24.4
DF18C- 60DP-0.4V(51)	60	24.0	11.5	13.76	24.4
DF18C- 70DP-0.4V(51)	70	24.0	11.5	15.76	24.4

CODE NO. (OLD)	CL	DESIGNED	M.Goto	CHECKED	K.Akiyama	APPROVED	K.Katayose	RELEASED	
DRAWING NO.	EDC3-163684-02	DRAWN	J.Nakamura	DATE	'01.03.21	DATE	'01.03.23	DATE	'01.03.23
SCALE	10:1	PART NO.	DF18#-**DP-0.4V(51)						
UNITS	(MM)	CODE NO.	CL684						
HRS HIROSE ELECTRIC CO., LTD.		2/3							

TO



STYLE AND DIMENTION OF REEL (FREE)

3 > DETAIL OF PART NO LABEL.

DATE OF MANUFACTURED	*** ** *
CODE NO.	CL684-****-51
PART NO.	DF18#-**DP-0.4V(51)
QUANTITY	2000 KO
SUPPLIER	HIROSE ELECTRIC CO.,LTD.

- NOTES
- 1 REEL : 2000 CONNECTORS.
 - AT THE BEGINNING OF THE REEL, 30 COMPONENTS SHALL BE EMPTY.
AT THE END OF REEL, 20 COMPONENTS SHALL BE EMPTY.
- 3 > DETAIL OF PART NO. LABEL IS WRITTEN IN JAPANESE.

PART NO.	CONTACT	L	M	N	P	Q
DF18C-80DP-0.4V(51)	80	32.0	28.4	14.2	17.76	32.4
DF18C-100DP-0.4V(51)	100	44.0	40.4	20.2	21.76	44.4
DF18C-120DP-0.4V(51)	120	44.0	40.4	20.2	25.76	44.4

CODE NO. (OLD)	CL	DESIGNED	M. Goto	CHECKED	K. Akiyama	APPROVED	K. Katayose	RELEASED	
DRAWING NO.	EDC3-163684-02	DRAWN	J. Nakamura	DESIGNED	M. Goto	CHECKED	K. Akiyama	APPROVED	K. Katayose
SCALE	10:1	PART NO.	DF18#-**DP-0.4V(51)	DESIGNED	'01.03.21	CHECKED	'01.03.23	APPROVED	'01.03.23
UNITS	MM	DRAWING NO.	EDC3-163684-02	DESIGNED	'01.03.21	CHECKED	'01.03.23	APPROVED	'01.03.23
		PART NO.	DF18#-**DP-0.4V(51)	DESIGNED	'01.03.21	CHECKED	'01.03.23	APPROVED	'01.03.23
		CODE NO.	CL684	DESIGNED	'01.03.21	CHECKED	'01.03.23	APPROVED	'01.03.23

TO