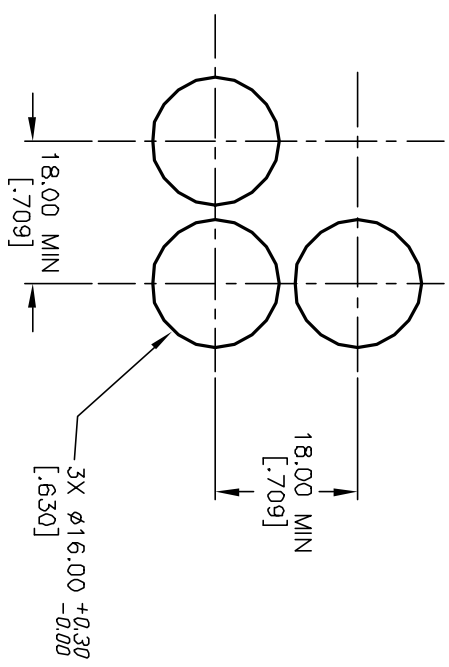


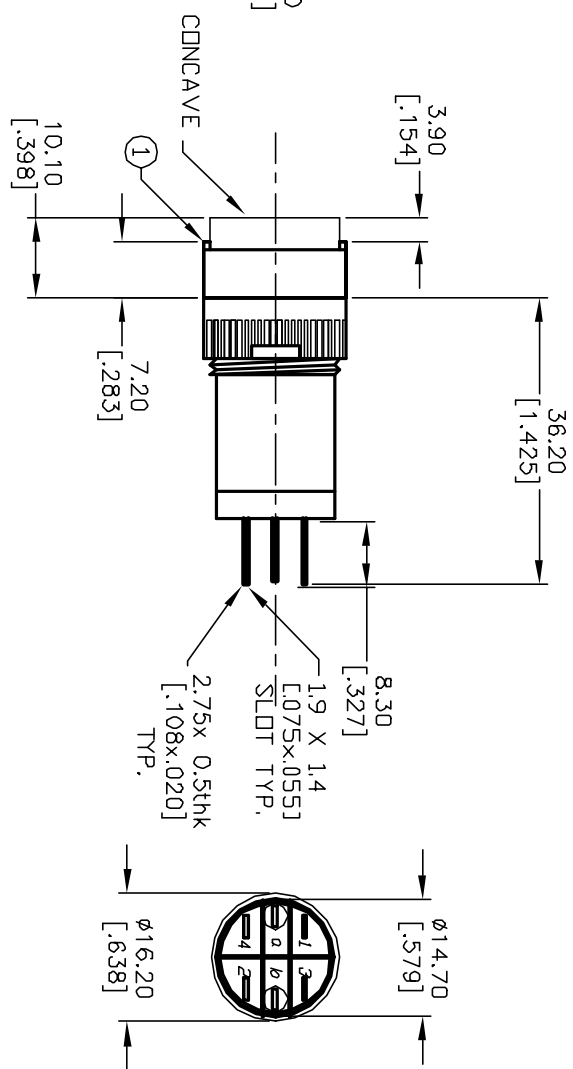
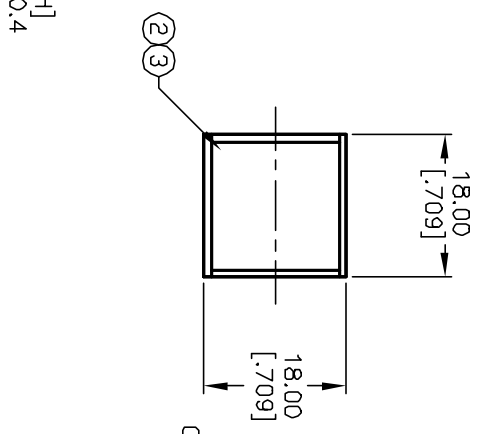
ITEM	QTY.	PART NO.	PART DESCRIPTION
1	1	F040011	P16 EE S11
2	1	F050404	50-004-04 (INCANDESCENT BULB)
3	1	F050302	50-003-02(GRN LENS TRANSPARENT)



RECOMMENDED
PANEL MOUNTING

1.0 ± 0.2
3.0 ± 0.4
a-L-b (+)

SPST
CONTACT CONFIGURATION



NOTES:

1. ALL DIMENSIONS IN MM [INCH]
2. GENERAL TOLERANCE: X.X=±0.4 X.XX=±0.25
3. TERM. NOS. FOR REFERENCE ONLY.
4. RATING: 5A@250V AC / 8A@125V AC
5. MECHANICAL LIFETIME: >2 MILLION OPERATIONS
6. TRAVEL: 3.0MM
7. CONTACT MATERIAL: COPPER ALLOY W/SILVER PLATING
8. LAMP VOLTAGE: 14V AC/80mA DC

E-SWITCH®

REV.	ECN No.	DESCRIPTION	DATE	CHKD
A	13093	RELEASED FOR PRODUCTION	4/28/03	AR

TITLE	SCALE	DATE	DR	DWG	REV
P16 EE S11 B GRN (LATCHING)	1.5:1	4/28/03	AR	XF0362P	A

THE INFORMATION CONTAINED IN THIS DOCUMENT IS PROPRIETARY TO E-SWITCH AND IS