

# C1608C0G2A010C080AA

TDK Item Description : C1608C0G2A010CT\*\*\*\*

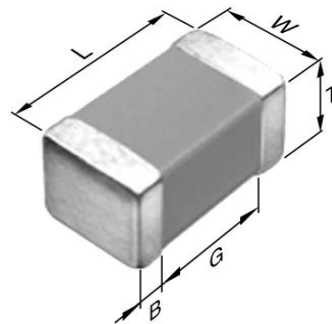


## Application & Main Feature

Commercial Grade ( Mid Voltage (100 to 630V) )

## Series

C1608 [EIA CC0603]



## Dimensions

L 1.60mm +/-0.1mm  
 W 0.80mm +/-0.1mm  
 T 0.80mm +/-0.1mm  
 B 0.20mm Min.  
 G 0.30mm Min.

## Temperature Characteristic

C0G (-55 to 125 degC 0+/-30ppm/degC)

## Rated Voltage

2A (100Vdc)

## Capacitance

1pF

## Capacitance Tolerance

C (+/-0.25pF)

## Q Factor

420 Min.

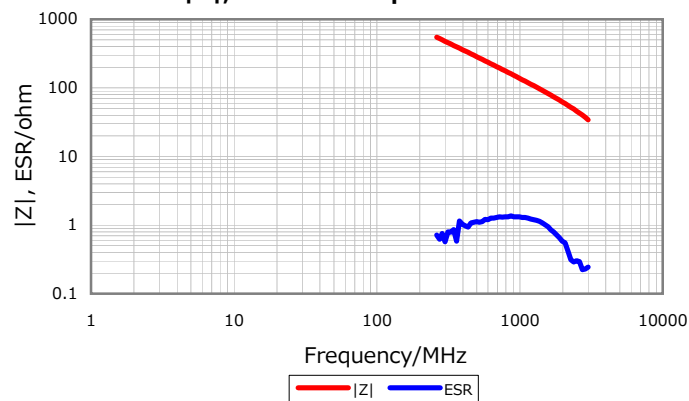
## Insulation Resistance

10Gohm Min.

## AEC-Q200

Not Applicable

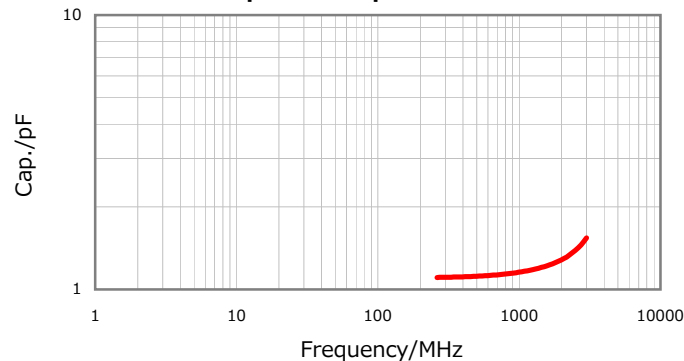
**|Z|, ESR vs. Freq. Characteristics**



**DC Bias Characteristic**



**Cap. vs. Freq. Characteristic**



**Temperature Characteristics**



Characterization Sheet ( Multilayer Ceramic Chip Capacitors )



All specifications are subject to change without notice.

January 3, 2016