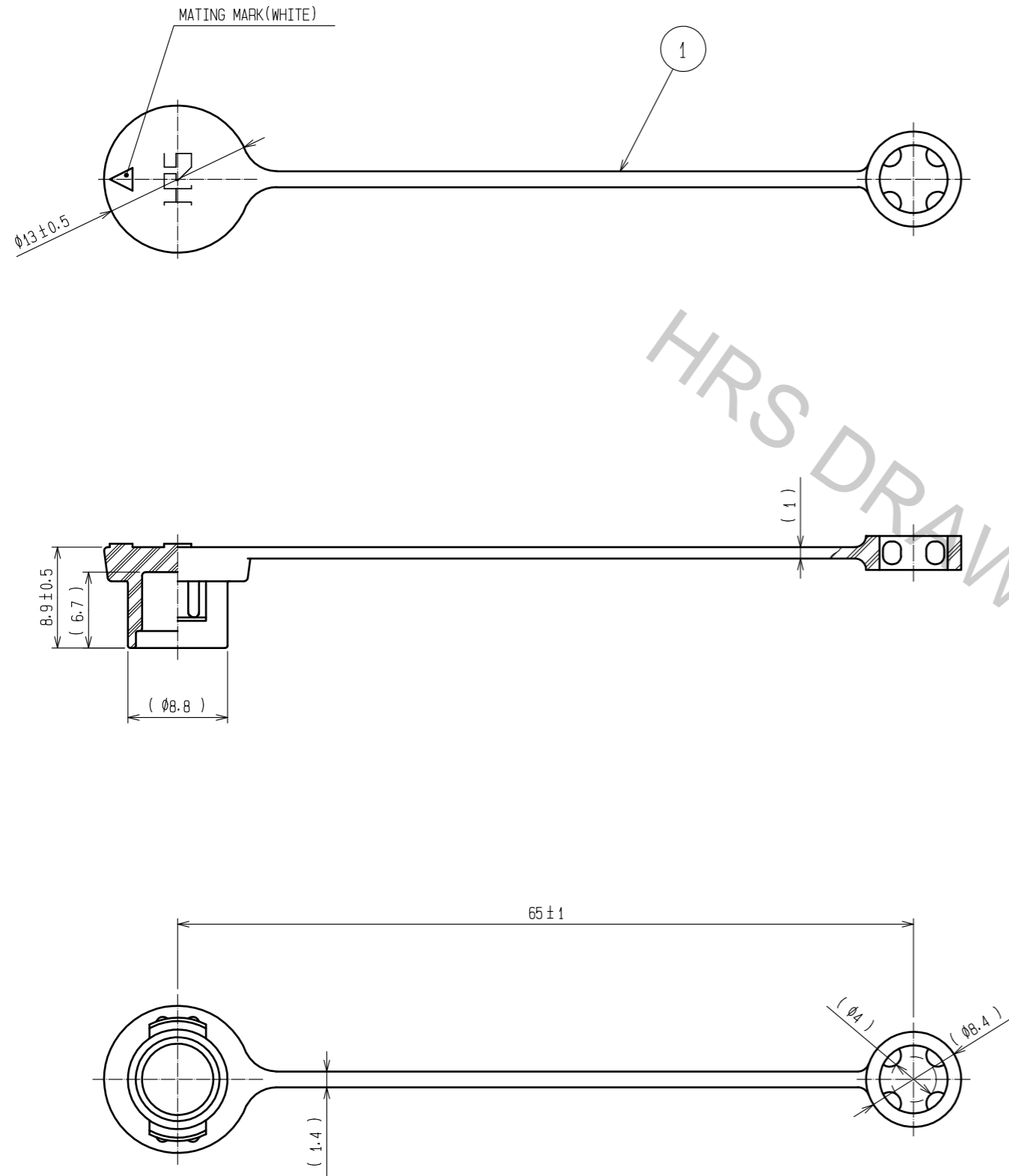
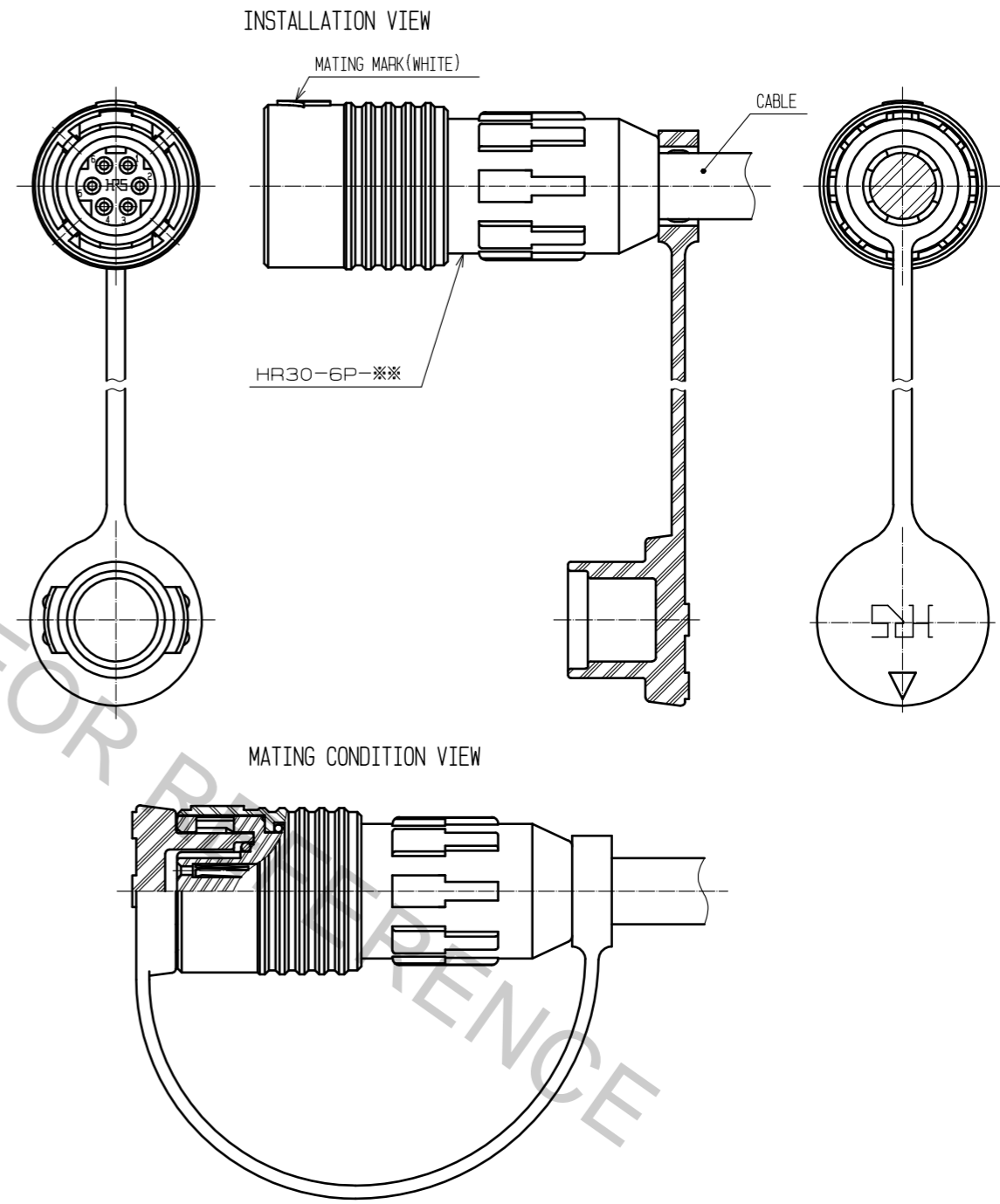


Aug.1.2018 Copyright 2018 HIROSE ELECTRIC CO., LTD. All Rights Reserved.  
 In case that the application demands a high level of reliability, such as automotive,  
 please contact a company representative for further information.



NOTES 1 THIS PART TO BE USED AS ASSEMBLED COMPONENT IN THE DIAGRAM AFTER ASSEMBLING.  
 2 THIS PRODUCT IS A CAP FOR HR30-6P-\*(※).  
 IT IS APPLICABLE REGARDLESS OF GIVEN ALPHABETS OR NUMBERS SHOWN AT ※.

DIAGRAM AFTER ASSEMBLING



1	CHLOROPRENE RUBBER	BLACK						
NO.	MATERIAL	FINISH , REMARKS	NO.	MATERIAL	FINISH , REMARKS			
UNITS		SCALE	COUNT	DESCRIPTION OF REVISIONS		DESIGNED	CHECKED	DATE
mm		2 : 1						
<b>HRS</b> HIROSE ELECTRIC CO., LTD.		APPROVED	•HY. KOBAYASHI	18.02.26	DRAWING NO.	EDC-112273-31-00		
		CHECKED	•HY. KOBAYASHI	18.02.26	PART NO.	HR30-6P-C(31)		
		DESIGNED	•DS. MATSUNE	18.02.24	CODE NO.	CL130-3000-7-31		
		DRAWN	•AI. NISHIYAMA	18.02.16				