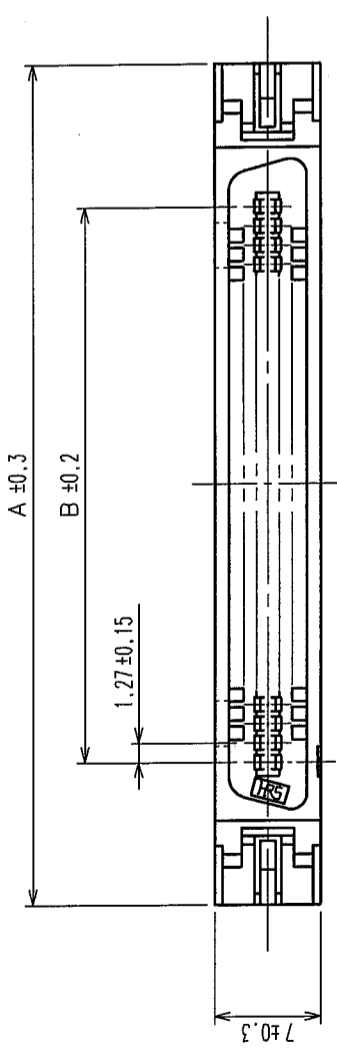
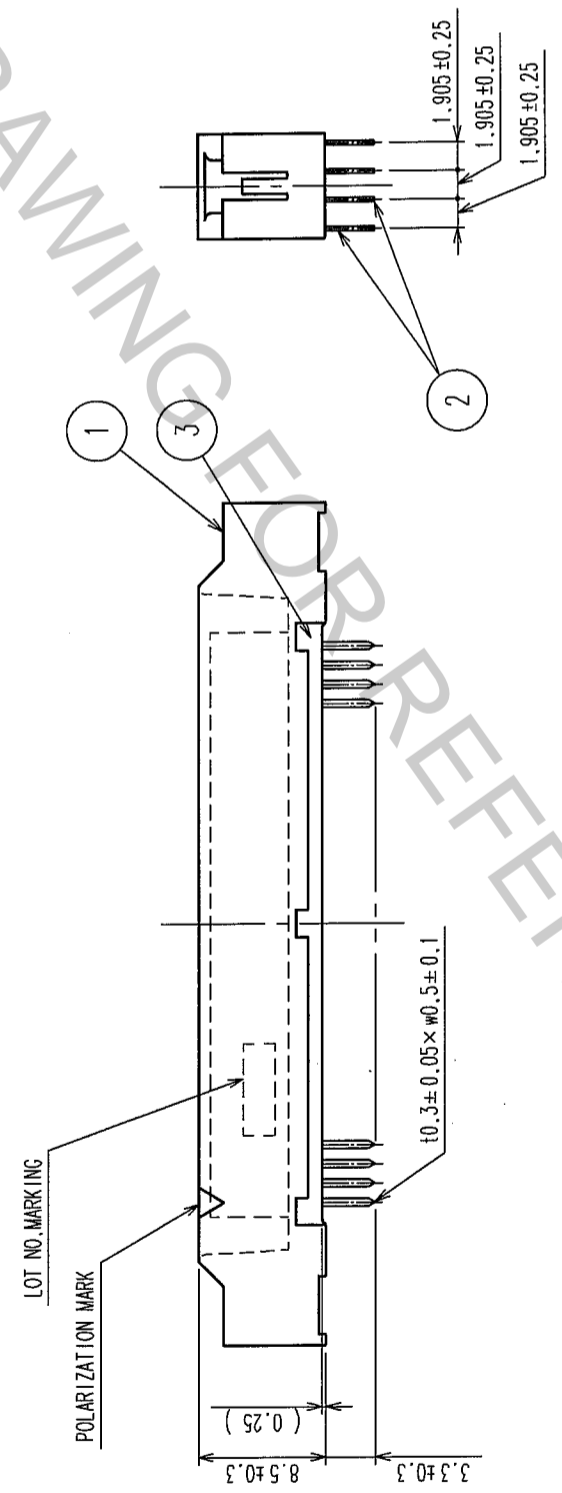
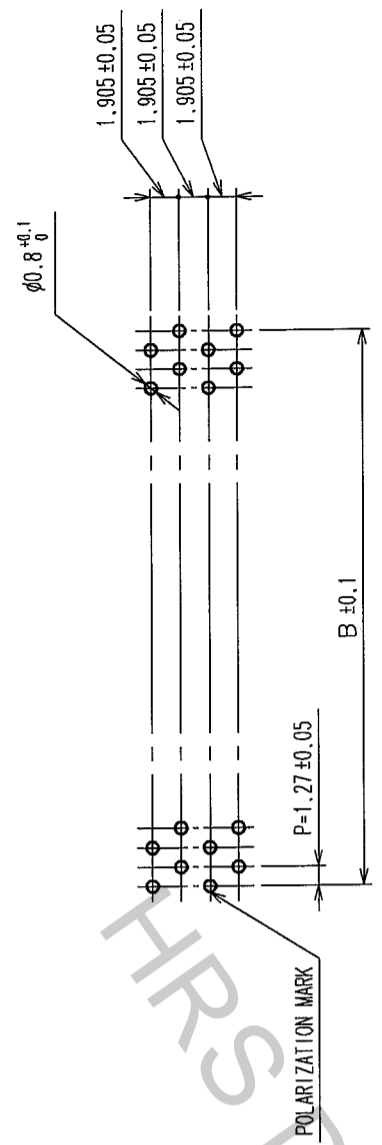


COUNT	DESCRIPTION OF REVISIONS	BY	CHKD	DATE	COUNT	DESCRIPTION OF REVISIONS	BY	CHKD	DATE
△					△				
△					△				
△					△				



RECOMMEND PC BOARD HOLE PATTERN (MOUNTING SIDE)



PART No.	CODE No.	A	B
FX2B-40PA-1.27DSA(71)	CL572-0823-7-71	40	43.03
FX2B-52PA-1.27DSA(71)	CL572-0824-0-71	52	50.65
FX2B-60PA-1.27DSA(71)	CL572-0825-2-71	60	55.73
FX2B-68PA-1.27DSA(71)	CL572-0826-5-71	68	60.81
FX2B-80PA-1.27DSA(71)	CL572-0827-8-71	80	68.43
FX2B-100PA-1.27DSA(71)	CL572-0828-0-71	100	81.13

NOTES 1. THE DIMENSIONS IN PARENTHESES ARE FOR REFERENCE.
 2. NUMBER OF PIN.

1, 3	POLYAMIDE	BLACK	UL94V-0	2	BRASS	CONTACT AREA: GOLD FLASH DIP AREA: TIN-PLATING 2μm min UNDER PLATING: NICKEL 1μm min
NO.	MATERIAL	FINISH,	REMARKS	NO.	MATERIAL	FINISH, REMARKS
CODE NO. (OLD) CL		DRAWN I. OKAYAMA		DESIGNED K. NAKAMURA	CHECKED H. OKAWA	APPROVED H. OKAWA
		04.06.02		04.06.02	04.06.14	04.06.14

DRAWING NO. EDC3-151042-21		PART NO. FX2B-PA-1.27DSA(71)	
SCALE FREE		CODE NO. CL572	
UNITS mm		HIROSE ELECTRIC CO., LTD.	

TO	
PCK	