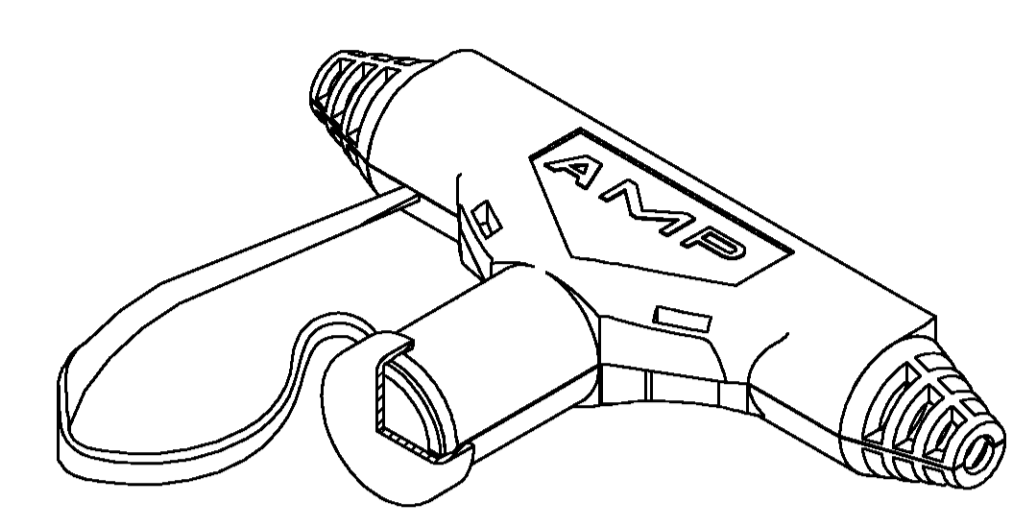
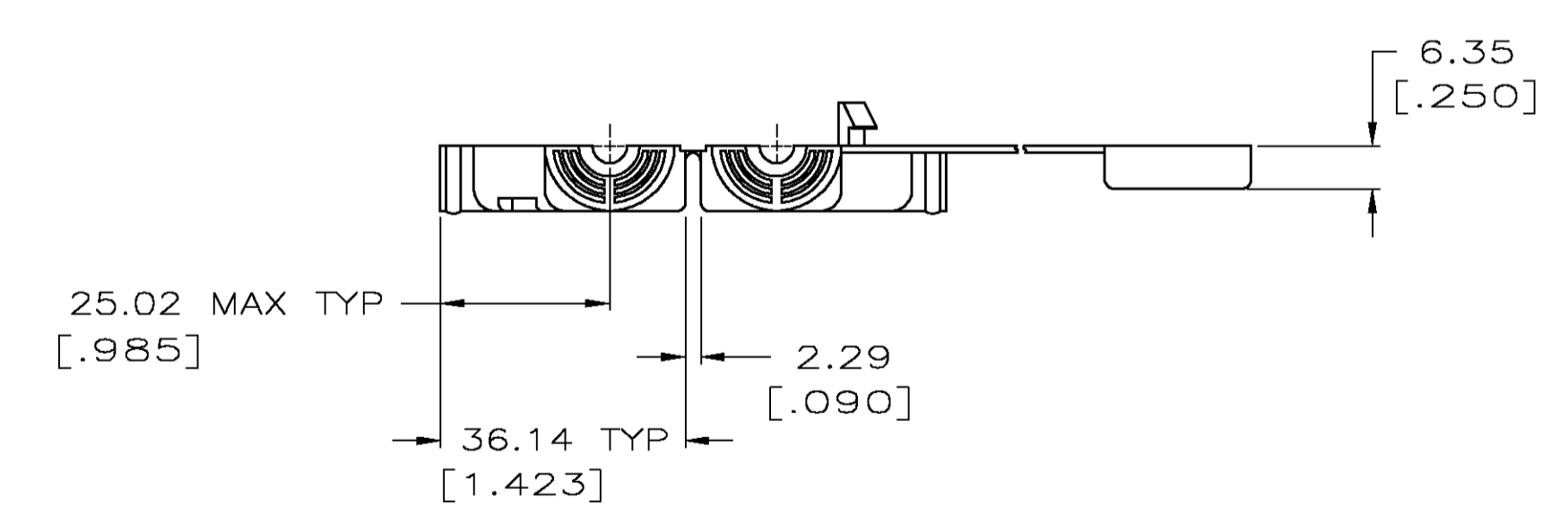
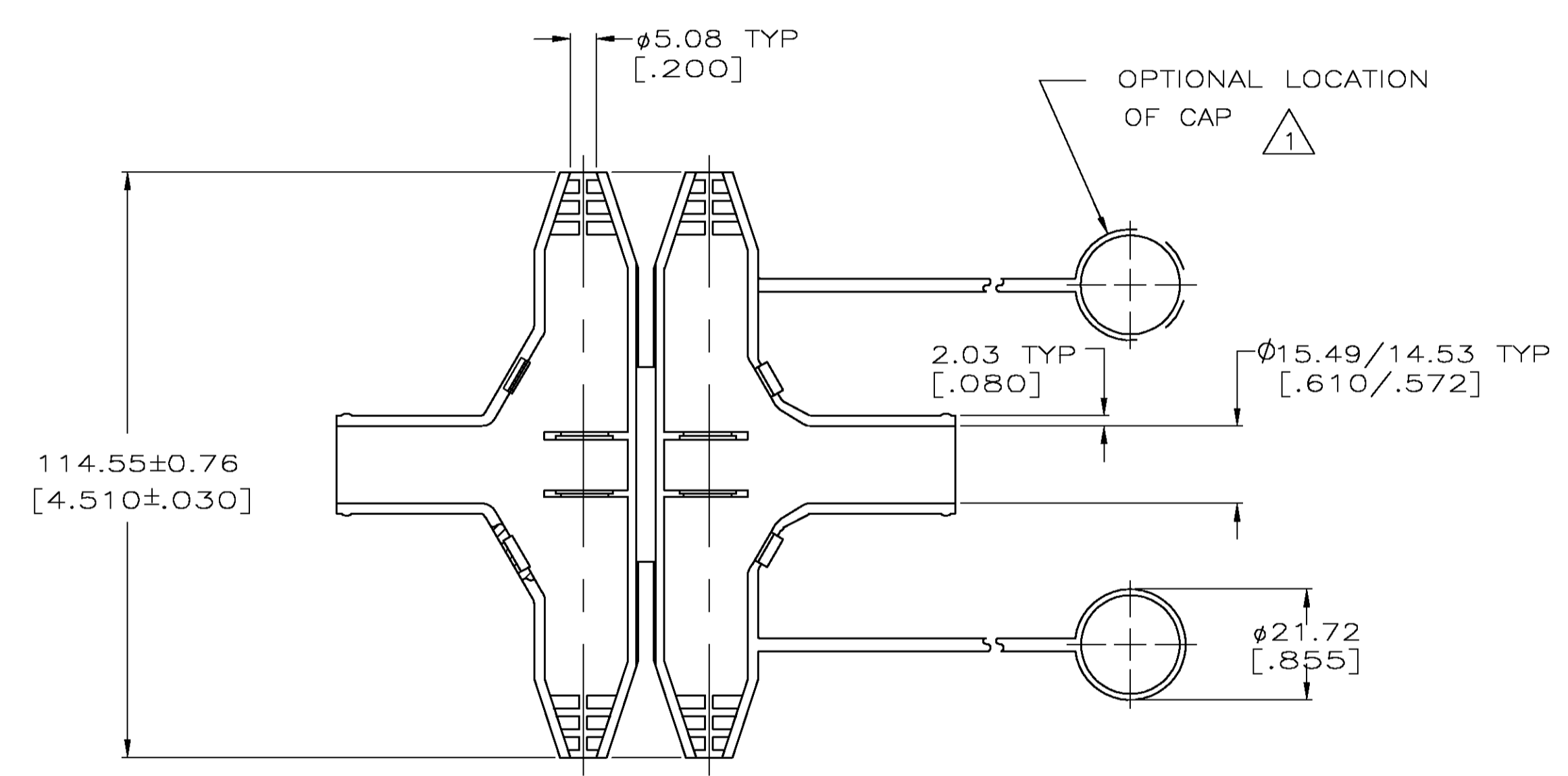
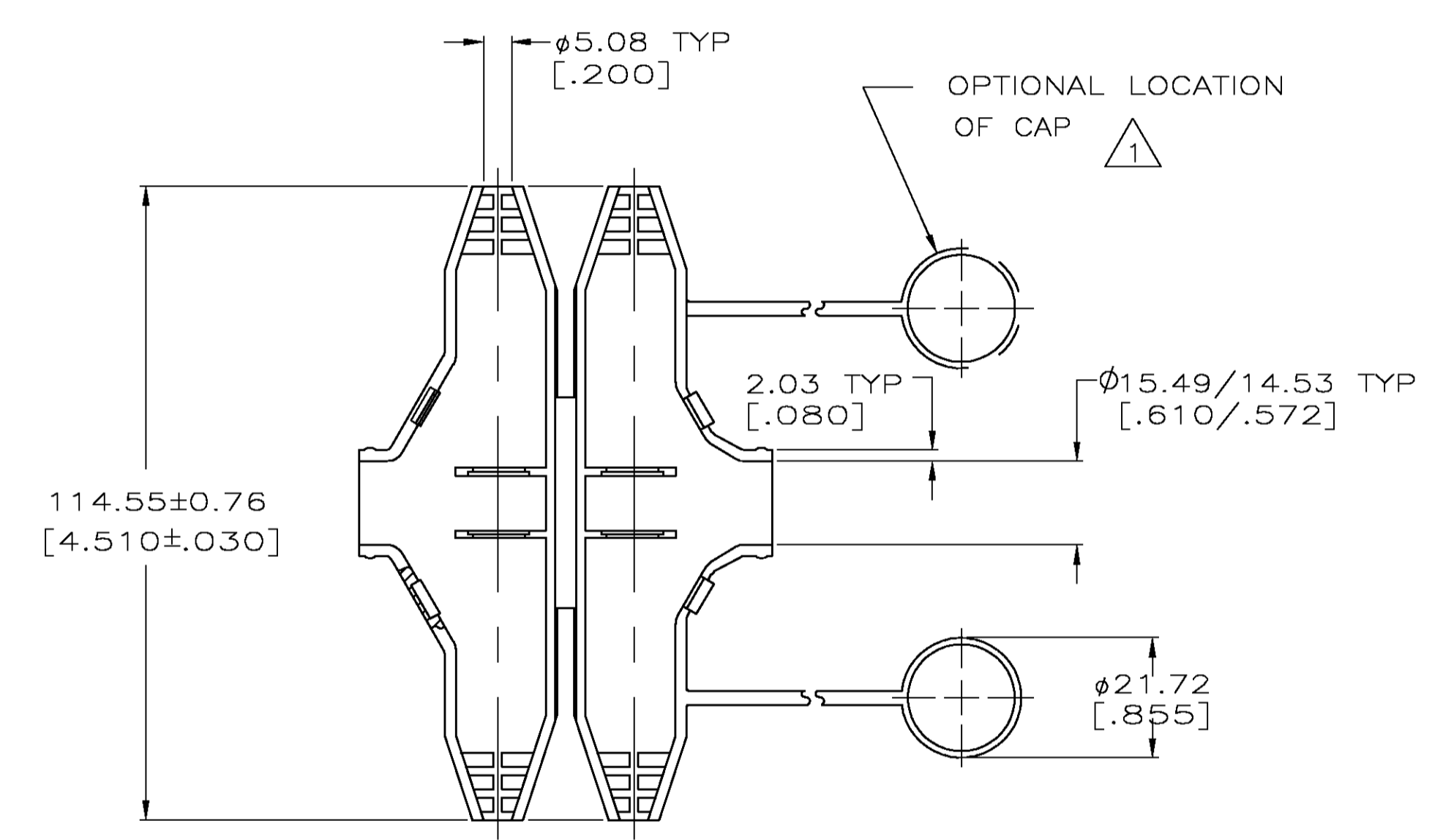


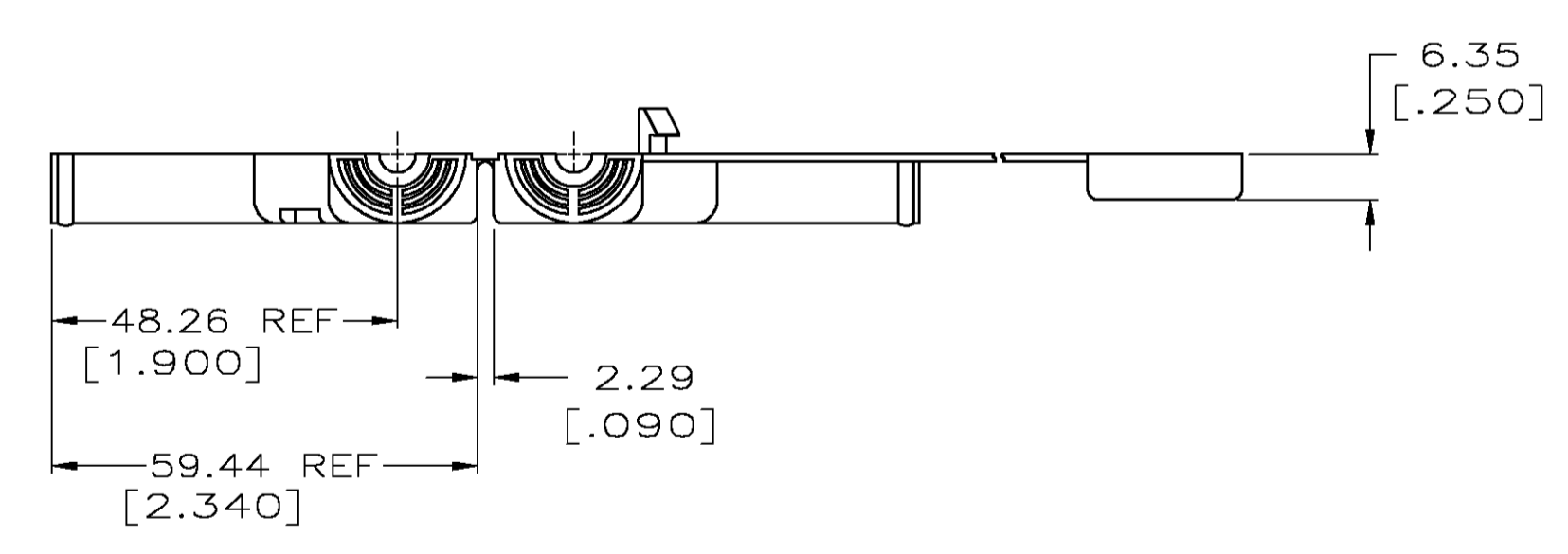
PICTORIAL VIEW  
NOT TO SCALE



PICTORIAL VIEW  
NOT TO SCALE



VIEW A



VIEW B

- 1 AMP RESERVES THE RIGHT TO FURNISH THIS PRODUCT WITH THE CAP IN EITHER LOCATION
- 2 SAME AS 221586-1 EXCEPT PACKAGED 5 PER BOX
- 3 SAME AS 221586-2 EXCEPT PACKAGED 5 PER BOX

3	OBSOLETE	B	BLACK	221586-8
2		A	BLACK	221586-7
		A	IVORY	221586-3
	OBSOLETE	B	BLACK	221586-2
		A	BLACK	221586-1
		VIEW	COLOR	PART NUMBER

THIS DRAWING IS A CONTROLLED DOCUMENT.

DIMENSIONS: mm[INCHES]	TOLERANCES UNLESS OTHERWISE SPECIFIED:	DIN J.L.GROFT 8-3-94	8-4-94	Tyco Electronics Corporation Harrisburg, Pa 17105-3608
0 PLC ± -	1 PLC ± -	2 PLC ± 0.38 [.015]	3 PLC ± -	
4 PLC ± -	ANGLES ± -	APVD R.J.KOBLER		NAME
MATERIAL POLYPROPYLENE	FINISH -	PRODUCT SPEC	APPLICATION SPEC	COVER, TEE, COMMERCIAL BNC
CUSTOMER DRAWING		SIZE A1	CAGE CODE 00779	DRAWING NO. 221586
		SCALE 1:1	SHEET 1 OF 1	REV E