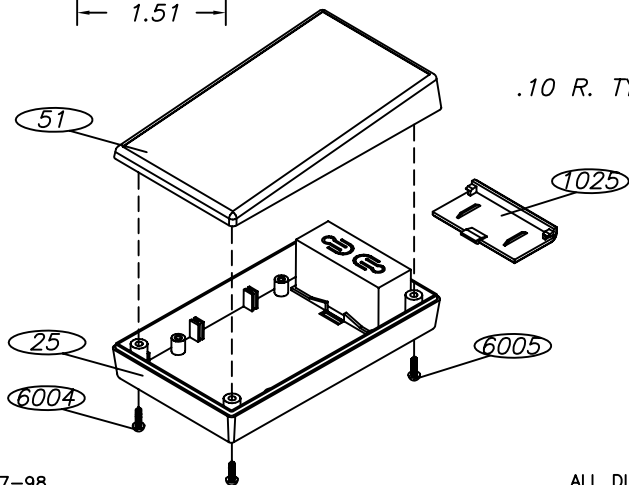
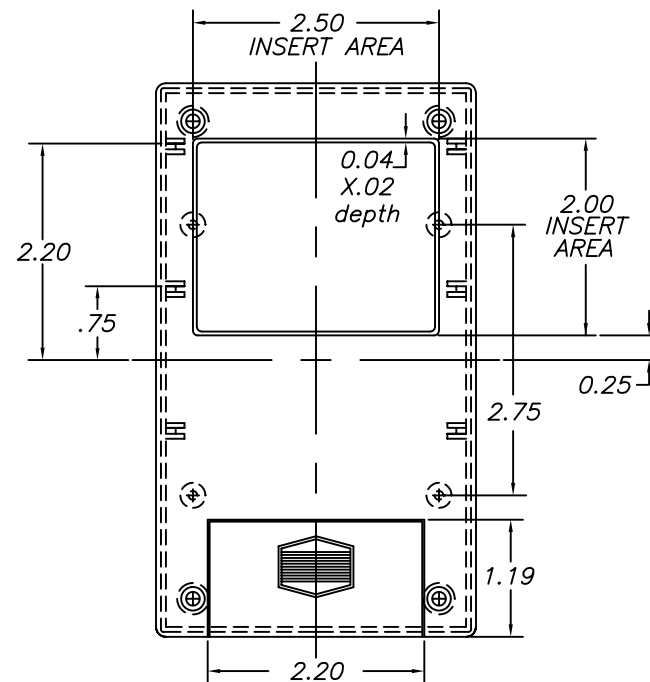
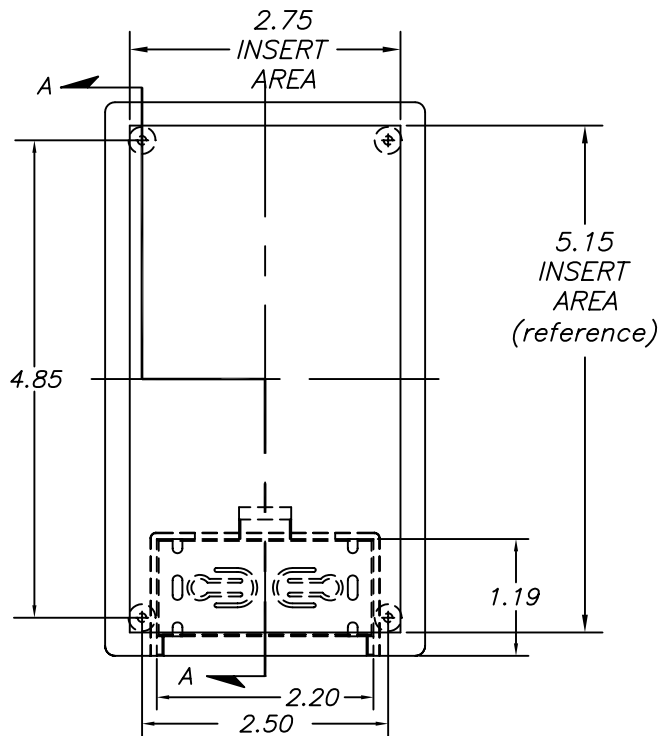
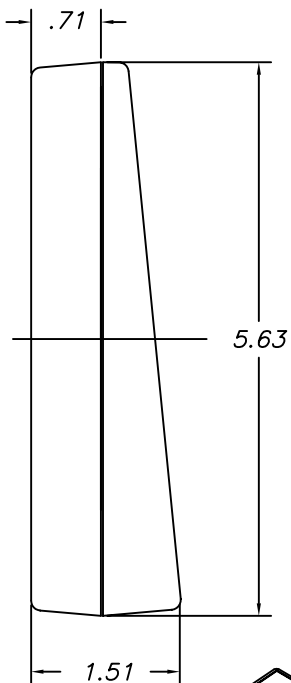


SERPAC 25-S

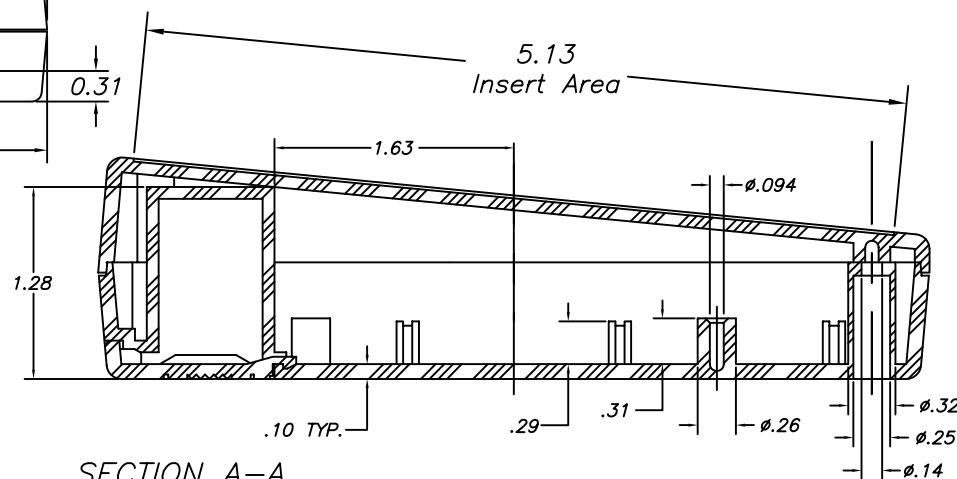
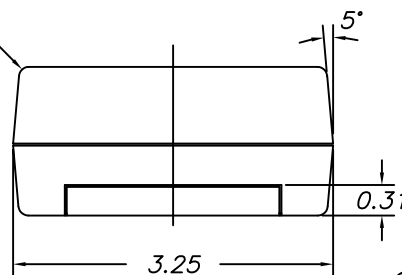
Electronics Enclosures

NOTES:

1. WHEN MACHINE OR I PLATES MODIFICATIONS ARE REQUIRED, USE THE CENTER OF THE ENCLOSURE TO DIMENSION.



.10 R. TYP.



10-27-98

ALL DIMENSIONS ± .010

| PART NO. | DESCRIPTION | PART NO. | DESCRIPTION |
|----------|-----------------------|----------|-------------------------------|
| 5S | PLASTIC TOP | 50 | FEET |
| 25 | PLASTIC BOTTOM | 359 | PROTOTYPE GRID BOARD (HORIZ.) |
| 1025 | PLASTIC BATTERY COVER | 459 | PROTOTYPE CLAD BOARD (HORIZ.) |
| 6004 | SCREWS (2) | 351 | PROTOTYPE GRID BOARD (VERT.) |
| 6005 | SCREWS (2) | 451 | PROTOTYPE CLAD BOARD (VERT.) |
| | | PC | POCKET CLIP |

619 Commercial Ave. Covina, CA 91723

(626) 331-0517 Fax (626) 331-8584 <http://www.serpac.com>