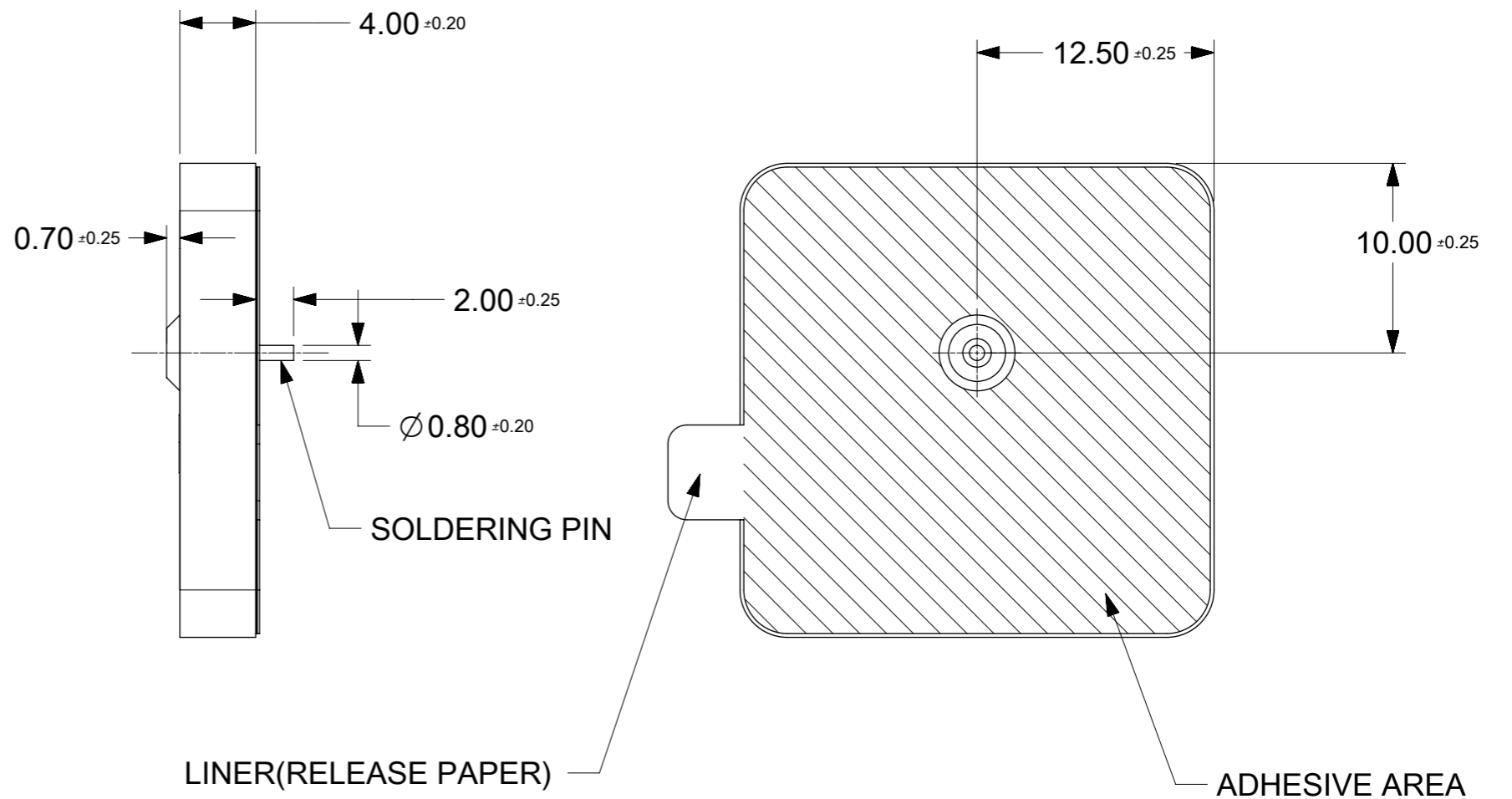
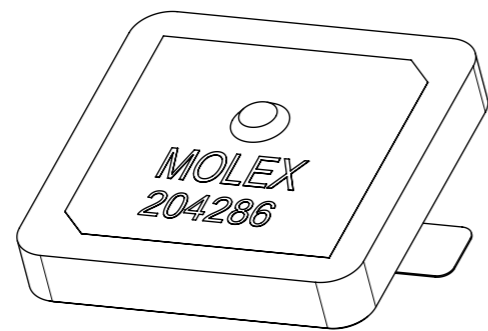


MOLEX SERISE NO.



NOTES:

1. MATERIAL: MAIN BODY: CERAMIC; SOLDERING PIN: COPPER ALLOY
2. PLATING ON CERAMIC: Ag 4-7um
3. PLATING ON SOLDERING PIN: Sn 2-5um OVER Ni 1-3um
4. PACKAGE SPEC. REFER TO 2042810001 PK DRAWING
5. PRODUCT SPEC. REFER TO 2042810001 PS
6. APPLICATION SPEC. REFER TO 2042810001 AS

| THIS DRAWING CONTAINS INFORMATION THAT IS PROPRIETARY TO MOLEX ELECTRONIC TECHNOLOGIES, LLC AND SHOULD NOT BE USED WITHOUT WRITTEN PERMISSION |   |                                       |  |                 |                                     |   |                        |  |  |  |
|---|---|---------------------------------------|--|-----------------|-------------------------------------|---|------------------------|--|--|--|
| QUALITY SYMBOLS   | 2017/05/18<br>2017/05/23                                  | GENERAL TOLERANCES (UNLESS SPECIFIED) |  | DIMENSION UNITS | SCALE                               | <b>molex</b><br>SD DRAWING FOR BEIDOU GPS GLONASS ANT |                        |  |  |  |
|   |   | ANGULAR TOL ± °                       |  | MM              | 3:1                                 |   |                        |  |  |  |
| ▽A = 0  | EC NO: 117125<br>DRWN: CXU11<br>CHK'D: ZLRAO<br>REV APPR: | 4 PLACES ±                            | DRAFT WHERE APPLICABLE MUST REMAIN WITHIN DIMENSIONS | DRWN BY         | DATE                                | PRODUCT CUSTOMER DRAWING                              |                        |  |  |  |
| ▽E = 0  |   | 3 PLACES ±                            |  | CXU11           | 2017/05/11                          |   |                        |  |  |  |
| ▽F = 0  |   | 2 PLACES ± 0.1                        |  | CHK'D BY        | DATE                                |   |                        |  |  |  |
| ▽ = 0   |   | 1 PLACE ± 0.2                         |  | TZHOU07         | 2017/05/11                          | SERIES MATERIAL NUMBER CUSTOMER                       |                        |  |  |  |
| ▽C = 0  |   | 0 PLACES ±                            |  | XJSONG          | 2017/05/17                          | 204286  | 2042860001             |  |  |  |
| ▽ = 0   |   |                                       |  |                 |                                     | DRAWING SIZE  | THIRD ANGLE PROJECTION | DOCUMENT NUMBER DOC TYPE DOC PART SHEET NUMBER |  |  |
| ▽ = 0   |   |                                       |  | A3              | <input checked="" type="checkbox"/> | 2042860001 PSD 000 1 OF 2                             |                        |  |  |  |

9 8 7 6 5 4 3 2 1

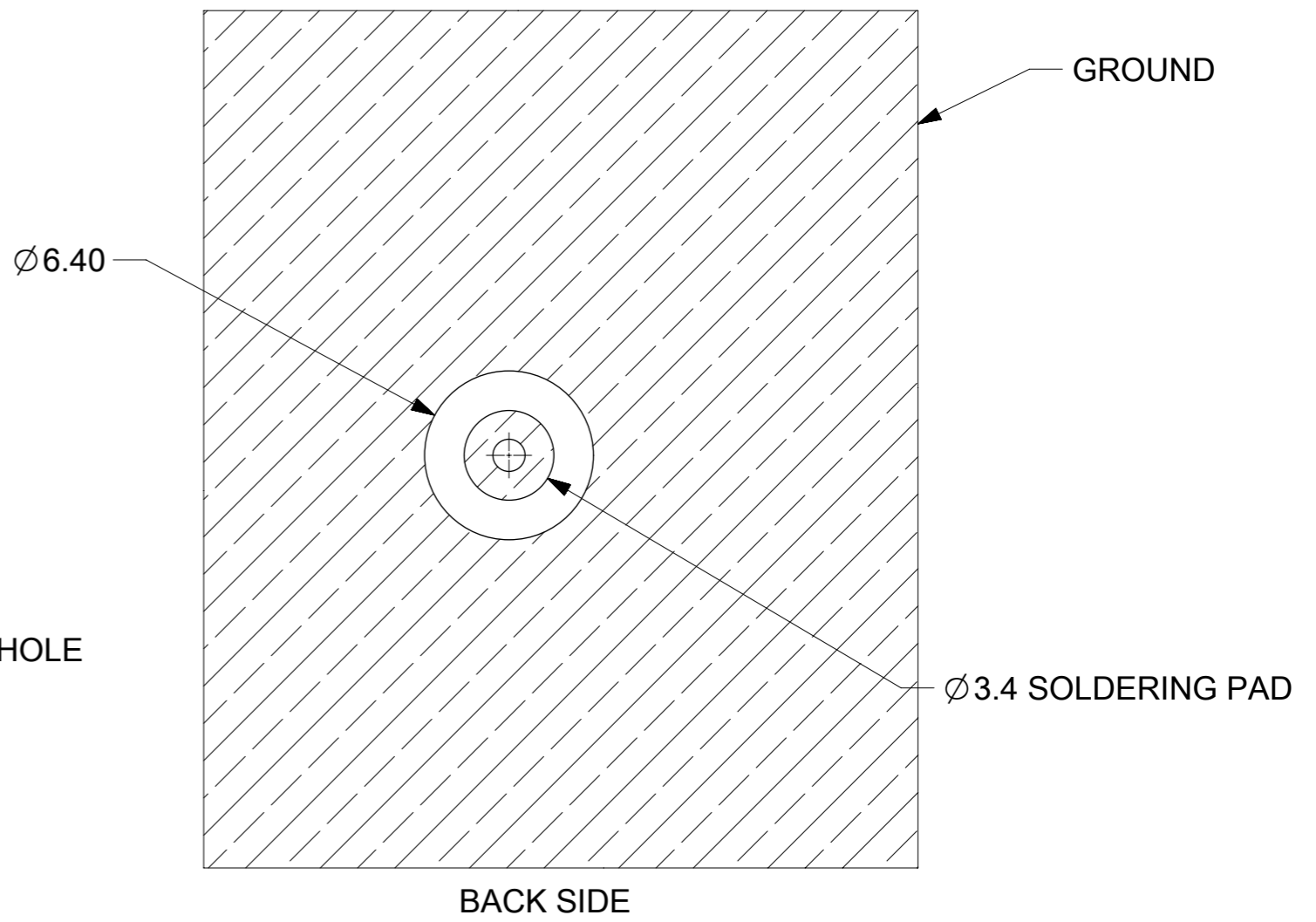
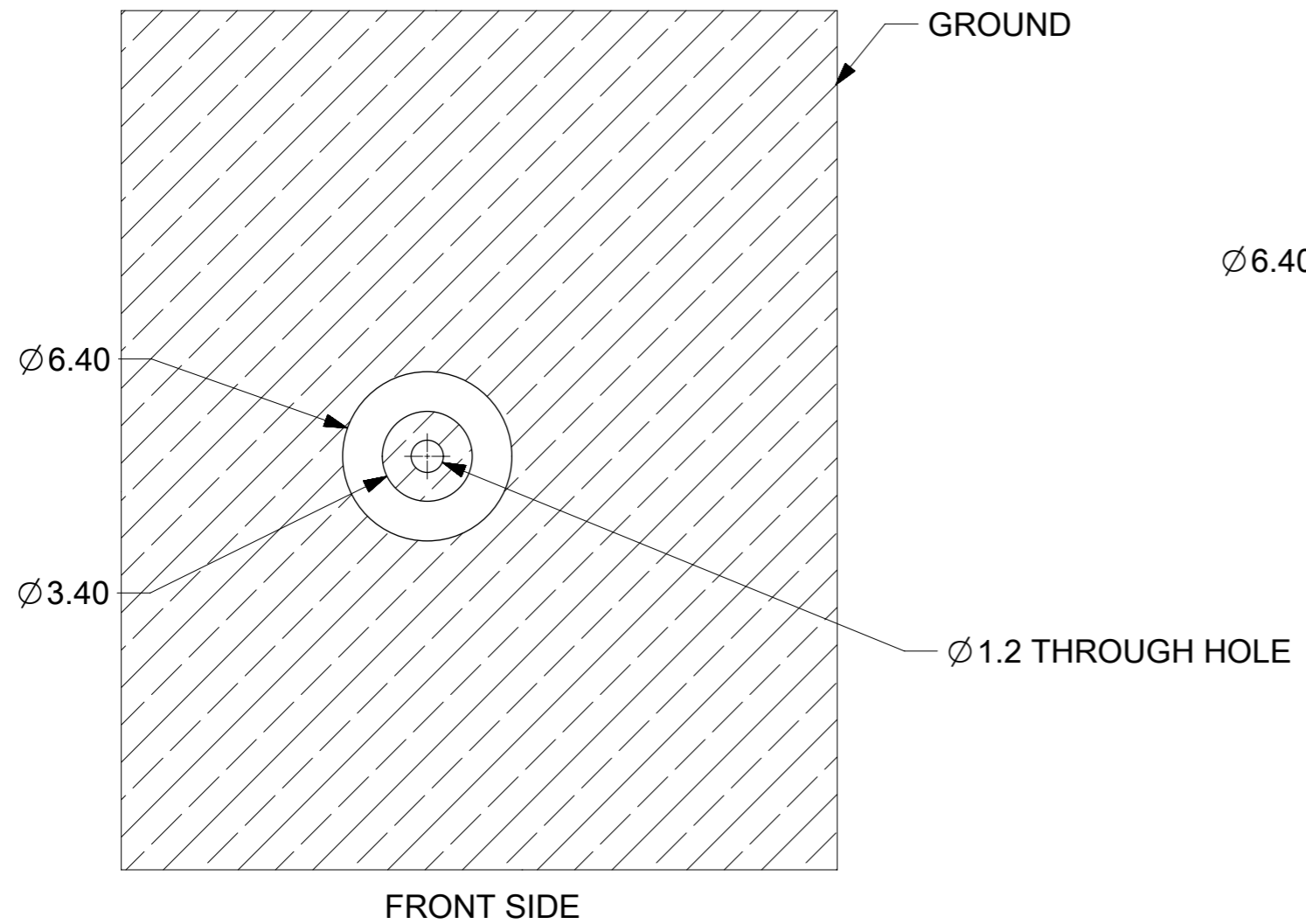
E

D

C

B

A



RECOMMENDED PCB LAYOUT  
(THICKNESS: 1.6MM)

|  |   |                          |                                       |                                     |                          |                 |                                       |          |              |  |  |
|--|---|--------------------------|---------------------------------------|-------------------------------------|--------------------------|-----------------|---------------------------------------|----------|--------------|--|--|
| <b>QUALITY SYMBOLS</b><br>▽A = 0<br>▽E = 0<br>▽F = 0<br>▽ = 0<br>▽C = 0<br>⊗ = 0<br>■ = 0<br>▽ = 0 | THIS DRAWING CONTAINS INFORMATION THAT IS PROPRIETARY TO MOLEX ELECTRONIC TECHNOLOGIES, LLC AND SHOULD NOT BE USED WITHOUT WRITTEN PERMISSION |                          |                                       |                                     |                          |                 |                                       |          |              |  |  |
|  | EC NO: 117125<br>DRWN: CXU11<br>CHK'D: ZLRAO<br>REV APPR:   | 2017/05/18<br>2017/05/23 | GENERAL TOLERANCES (UNLESS SPECIFIED) |                                     | DIMENSION UNITS          | SCALE           |                                       |          |              |  |  |
|  |   |                          | ANGULAR TOL ± °                       |                                     | MM                       | 4:1             |                                       |          |              |  |  |
|  |   |                          | 4 PLACES ±                            |                                     | DRWN BY                  | DATE            |                                       |          |              |  |  |
|  |   |                          | 3 PLACES ±                            |                                     | CXU11                    | 2017/05/11      | SD DRAWING FOR BEIDOU GPS GLONASS ANT |          |              |  |  |
|  |   |                          | 2 PLACES ± 0.1                        |                                     | CHK'D BY                 | DATE            |                                       |          |              |  |  |
|  | 1 PLACE ± 0.2   |                          | TZHOU07                               | 2017/05/11                          | PRODUCT CUSTOMER DRAWING |                 |                                       |          |              |  |  |
|  | 0 PLACES ±  |                          | APPR BY                               | DATE                                | SERIES                   | MATERIAL NUMBER | CUSTOMER                              |          |              |  |  |
|  | DRAFT WHERE APPLICABLE MUST REMAIN WITHIN DIMENSIONS  |                          | DRAWING SIZE                          | THIRD ANGLE PROJECTION              | 204286                   | 2042860001      |                                       |          |              |  |  |
|  |   |                          | A3                                    | <input checked="" type="checkbox"/> | DOCUMENT NUMBER          |                 | DOC TYPE                              | DOC PART | SHEET NUMBER |  |  |
|  |   |                          |                                       | 2042860001                          |                          | PSD             | 000                                   | 2 OF 2   |              |  |  |

9 8 7 6 5 4 3 2 1

FORMAT: master-ib-prod-A3  
REVISION: 0  
DATE: 2015/12/14