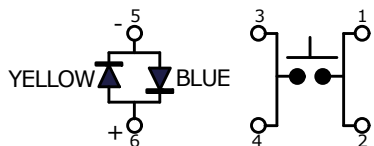
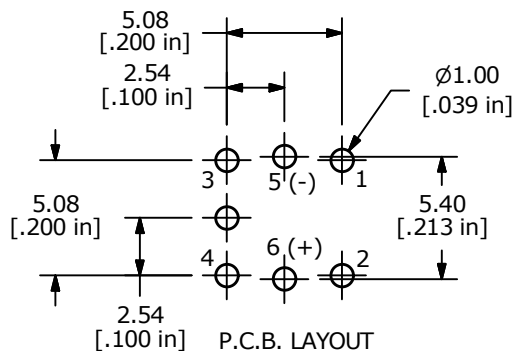
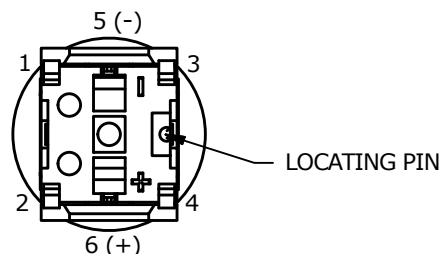
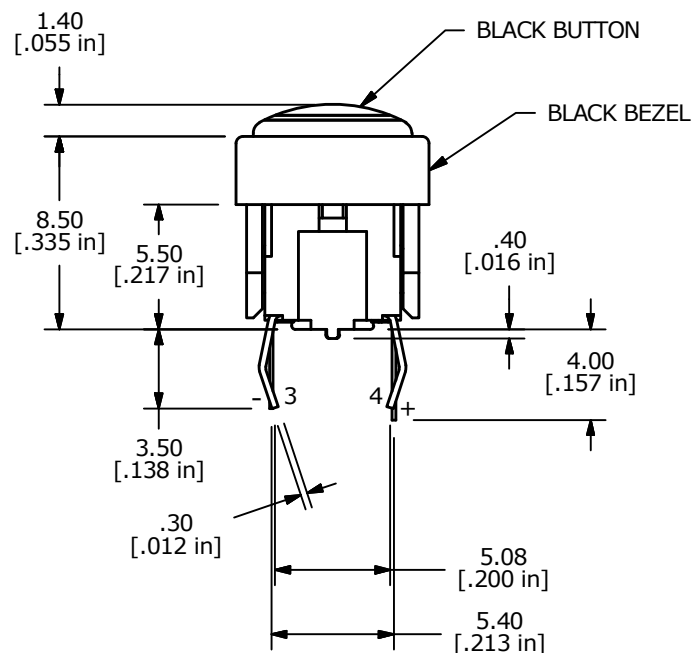
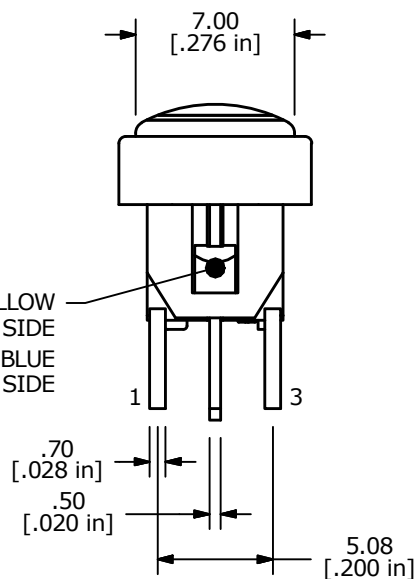
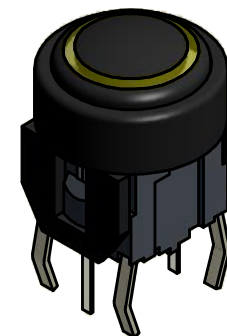
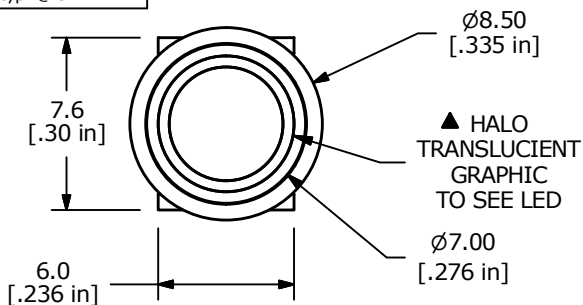


▲ LED SPECS	UNITS	YELLOW	BLUE
FORWARD CURRENT	mA	20	5
FORWARD VOLTAGE	V	2.0 typ. - 2.5 max. @ 20mA	2.9 typ. - 4.0 max. @ 5mA
LUMINOUS INTENSITY	MCD	120 typ. @ 20mA	15 typ. @ 5mA



- NOTES:
1. ALL DIMENSIONS IN MM [INCH]
  2. GENERAL TOLERANCE: X.X = ±0.4  
X.XX = ±0.25
  3. RATING: 12VDC @ 50mA
  4. CONTACT RESISTANCE: 100mΩ MAX.
  5. INSULATION RESISTANCE: 100MΩ MIN.
  - ▲ 6. OPERATING FORCE: 180± 50gf
  7. TRAVEL: 0.2± 0.1mm
  8. OPERATING TEMPERATURE: -40°C TO 85°C
  9. OPERATING LIFE: 500,000 CYCLES
  - ▲ 10. LED COLOR: YELLOW / BLUE
  11. ▲ DENOTES CRITICAL PARAMETERS
  12. 2002/95/EC (ROHS) COMPLIANT
  13. PARTS TO BE PACKAGE 100 PARTS PER TRAY.

▲ MARK CATHODE YELLOW ON THIS SIDE  
MARK CATHODE BLUE ON THE OPPOSITE SIDE



B	22281	UPDATE DRAWING	5/13/16	MW
A	20480	RELEASE FOR PRODUCTION	02/15/12	BMA
REV	PCR NO	DESCRIPTION	DATE	BY

TITLE TL1220R1BBBYB-HALO				
SCALE	DATE	DR	DWG	REV
3:1	2/15/2012	BMA	B260019	B

THE INFORMATION CONTAINED IN THIS DOCUMENT IS PROPRIETARY TO E-SWITCH AND IS NOT TO BE COPIED OR TRANSFERRED