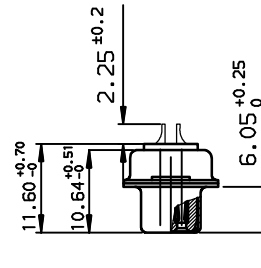
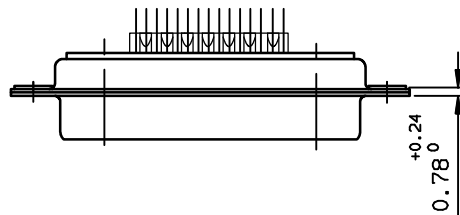
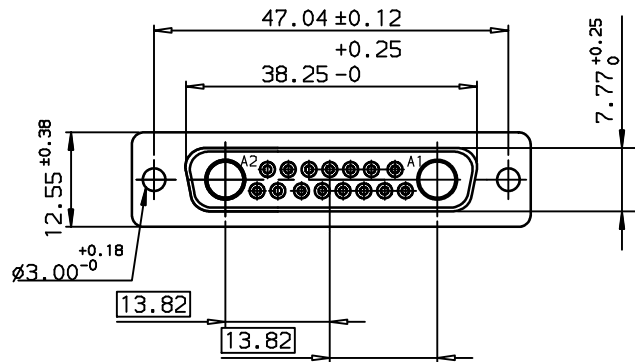




Copyright FCI.



TIN LEAD PART NUMBER

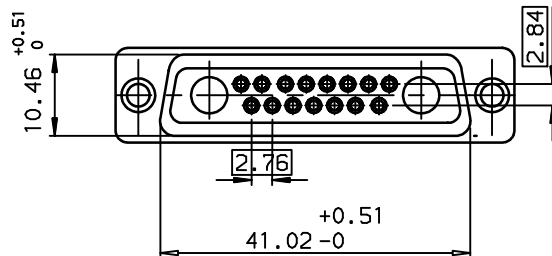
DB17W2SA00

PART NUMBER

LEAD FREE PART NUMBER

DB17W2SA00LF

PART NUMBER



GENERAL CHARACTERISTICS AND ROHS INFORMATIONS:  
SEE DRAWING C01-8639-0003

European Views

www.fciconnect.com		surface ISO 1302 ✓	tolerance std ISO 406 ISO 1101	projection mm
TOLERANCES UNLESS OTHERWISE SPECIFIED				
Dr	JARRY	1995/05/11	ANGULAR	LINEAR
Eng	PESSON	1995/05/11	0.X	±0.1
Chr	LEGARE	1995/05/11	0.XX	±0.1
Appr	LEGARE	1995/05/11	0.XXX	±0.1
Product family			D-SUB	Spec ref -
title SOCKET CONNECTOR FOR TWO POWERS CONTACTS		cat no -		Rev. D
www.fciconnect.com		size A3		Scale 1.5
ECN LS06-0095		ECN LS06-0095		sheet 1 of 1

rev	ecn no	dr	date
B	-	BAR	2003/10/29
C	LS05-005	MPE	2005/03/16
D	LS06-0095	LGO	2006/07/19
-	-	-	-
-	-	-	-
-	-	-	-

REV F - 2006-04-17