

C4532C0G2A104K320KA

TDK Item Description : C4532C0G2A104KT****

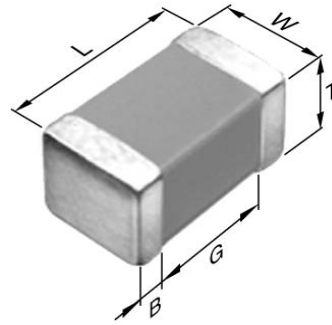


Application & Main Feature

Commercial Grade (Mid Voltage (100 to 630V))

Series

C4532 [EIA CC1812]



Dimensions

L 4.50mm +/-0.4mm
W 3.20mm +/-0.4mm
T 3.20mm +/-0.3mm
B 0.20mm Min.
G

Temperature Characteristic

C0G (-55 to 125 degC 0+/-30ppm/degC)

Rated Voltage

2A (100Vdc)

Capacitance

100nF

Capacitance Tolerance

K (+/-10%)

Q Factor

1000 Min.

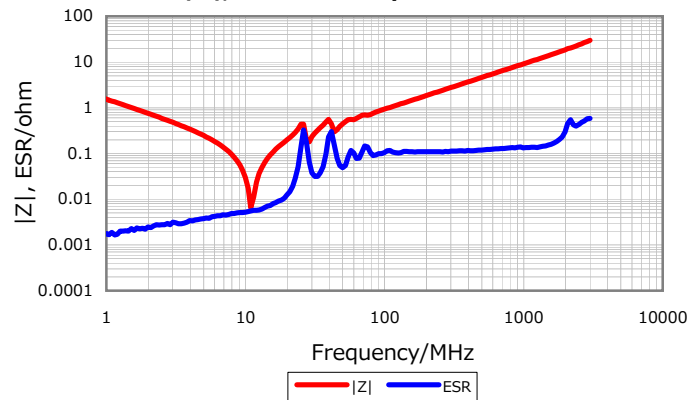
Insulation Resistance

5Gohm Min.

AEC-Q200

Not Applicable

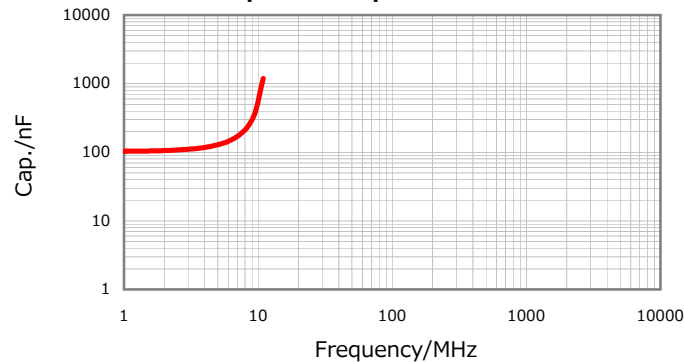
|Z|, ESR vs. Freq. Characteristics



DC Bias Characteristic



Cap. vs. Freq. Characteristic



Temperature Characteristics



Characterization Sheet (Multilayer Ceramic Chip Capacitors)



All specifications are subject to change without notice.

January 4, 2016