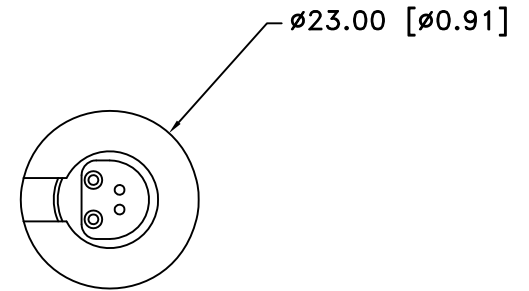
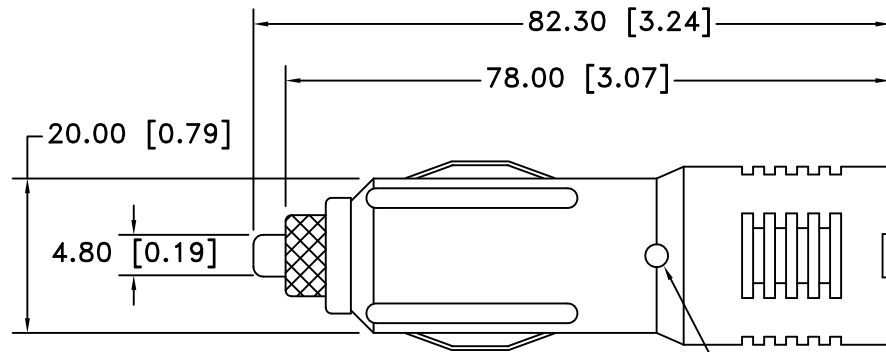



Date	SYM	REVISION RECORD	AUTH	DR.	CK.



LED INDICATOR

RATING:
 INPUT: DC12V
 OUTPUT: DC5V
 MAX: 2A

NOTE:
 CASING: ABS
 NUT: BRASS, NICKEL PLATED
 RING: STEEL, ZINC PLATED
 NEG. TERMINAL: STEEL, NICKEL PLATED
 TIP: BRASS, NICKEL PLATED
 FUSE: TCO, 17AMHO23B580°C

Tolerance (Except as noted)	 Memory Protection Devices, Inc 200 Broad Hollow Road, Farmingdale, New York 11735	Scale	Drawn By B.S.
decimal ±.5 (.020)		Approved By T.B.	
Fractional ± .8 (.030)	Title AUTO PLUG TO AIRCRAFT PLUG		
Angular ± 3°	Date 05/28/10	Drawing Number AP132	