

NUMBER
177985

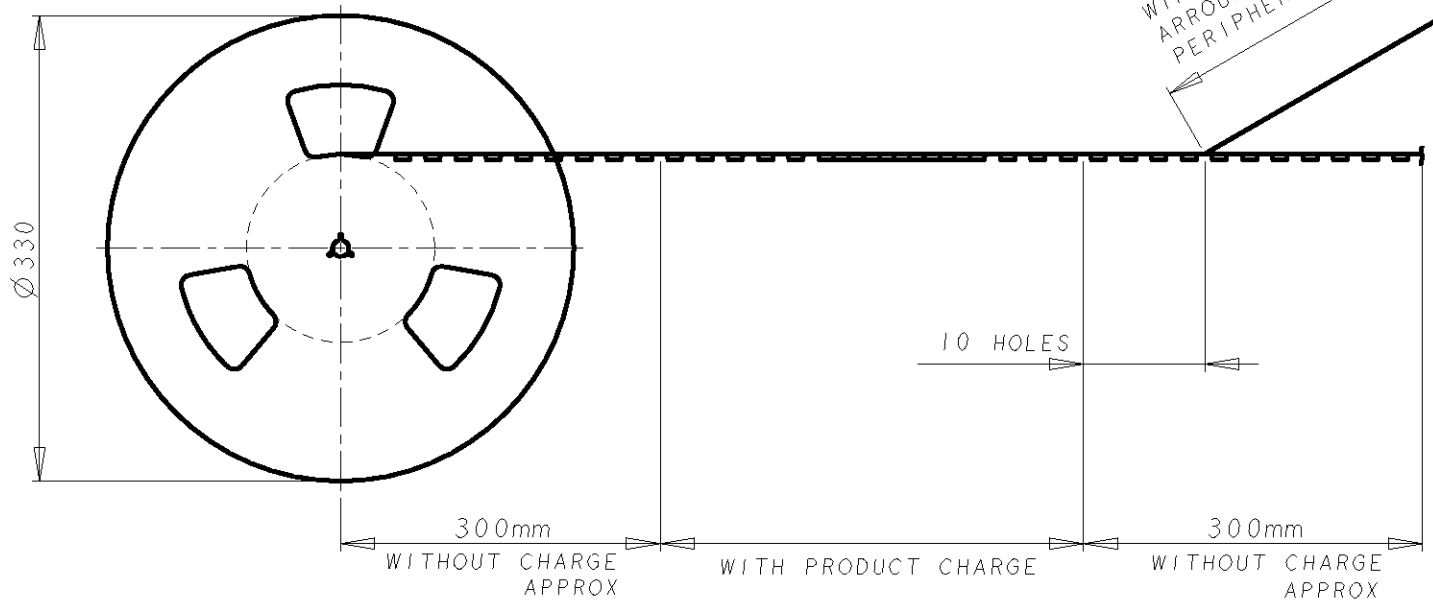
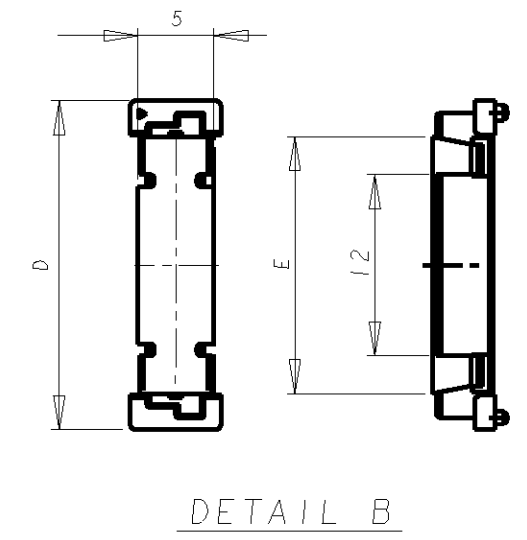
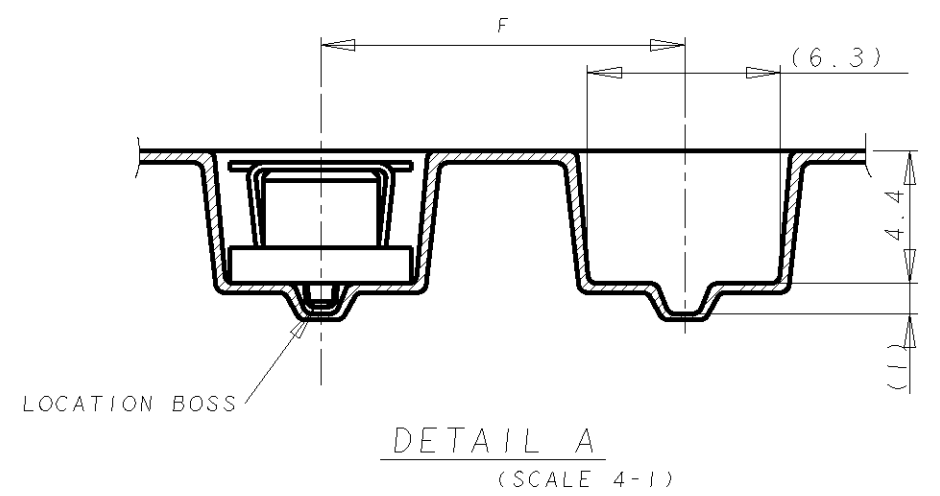
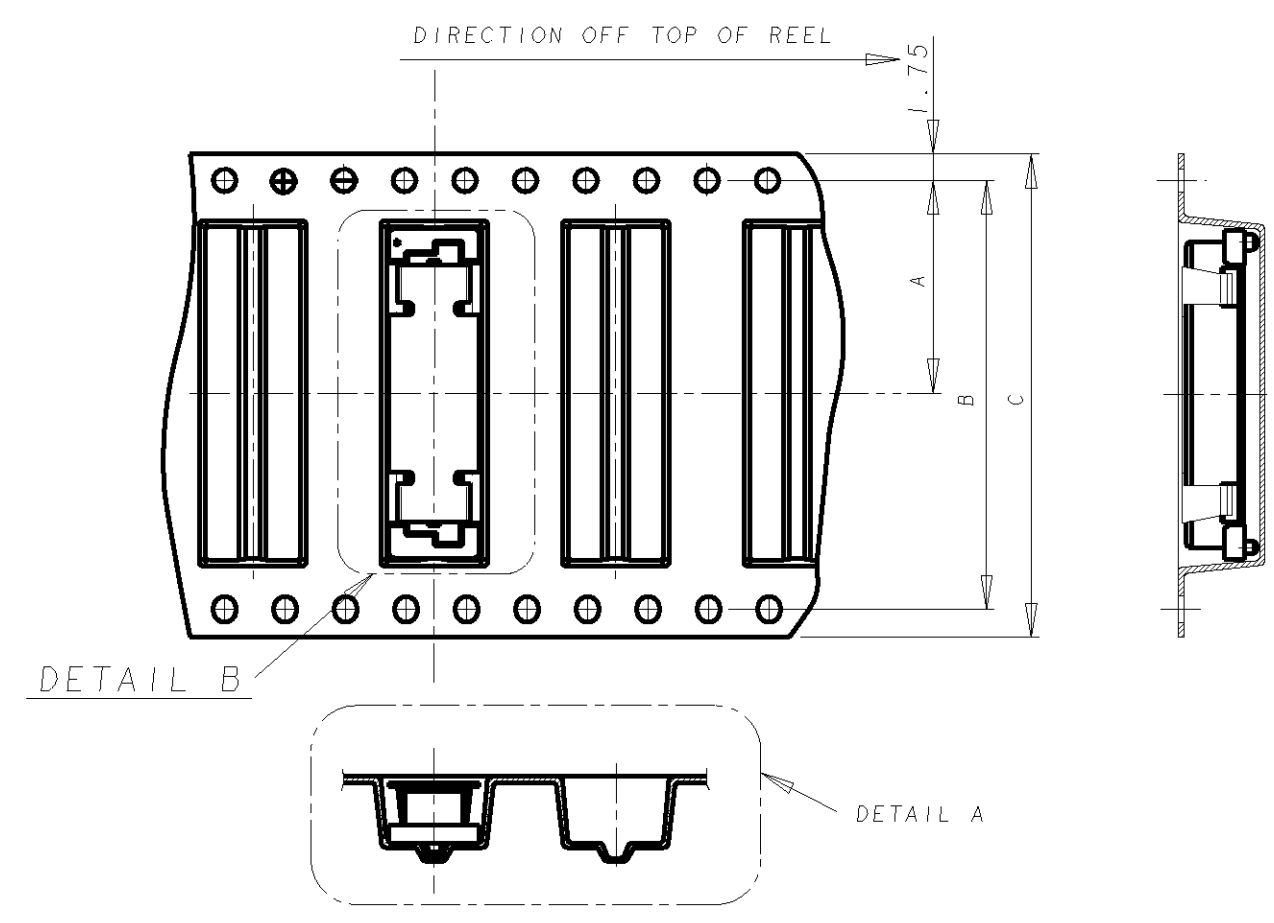
(3rd ANGLE PROJECTION)

METRIC

CONFIDENTIAL INFORMATION

DIMENSIONS IN MM. DO NOT SCALE PRINT

PRINT DIST



NOT AVAILABLE				86.1	104	100.4	50.2	200	1-	-0	1-	-0
AVAILABLE				70.1	88	84.4	42.2	160		-8		-8
				61.8	72	68.4	34.2	140		-6		-6
				53.8	72	68.4	34.2	120		-5		-5
	700	16		45.8	72	68.4	34.2	100		-4		-4
				37.8	56	52.4	26.2	80		-3		-3
				29.8	44	40.4	20.2	60		-2		-2
	1000	12	17	21.8	32	28.4	14.2	40	177983-1		177985-1	
TOOLING STATUS	QTY	F	E	D	C	B	A	POS	CONN P/N	PART NO.		

K	REVISED FP00-0227-03	LSK ET	17OCT03	
J	REVISED FP00-0026-99	LWY TKN	24FEB99	
H	REVISED FP00-0268-98	KML TKN	3AUG98	
G	REVISED FJ00-4172-96	T.K I.E	16FEB96	
F	REVISED FJ00-3747-95	T.K I.E	1DEC95	
LTR	(REVISION RECORD)	DR	CHK	DATE

Copyright ©1997 AMP MANUFACTURING (SINGAPORE) PTE. LTD. ALL RIGHTS RESERVED.

Copyright ©1997 AMP MANUFACTURING (SINGAPORE) PTE. LTD. ALL RIGHTS RESERVED.

AMP AMP MANUFACTURING (SINGAPORE) PTE. LTD.

(WIRE RANGE) (INSULATION DIA.) (NAME)
mm² (AWG -) mm∅ RECEPTACLE ASSEMBLY 5H TYPE (0.5 BOSS LENGTH) FOR FH 0.8 B-T-B CONN, ON TAPING.

(MATERIAL) (FINISH) SEE TABLE

(GENERAL TOLERANCE) SIZE LOC (No.)
0 < + ≤ 10 : ±0.2 A3 DY 177985
10 < + ≤ 30 : ±0.25
30 < + ≤ 100 : ±0.3 (SCALE) 2:1 REV. K SHEET 1 OF 1
ANGLES : ± 3°

CUSTOMER DRAWING