

## DETAILS

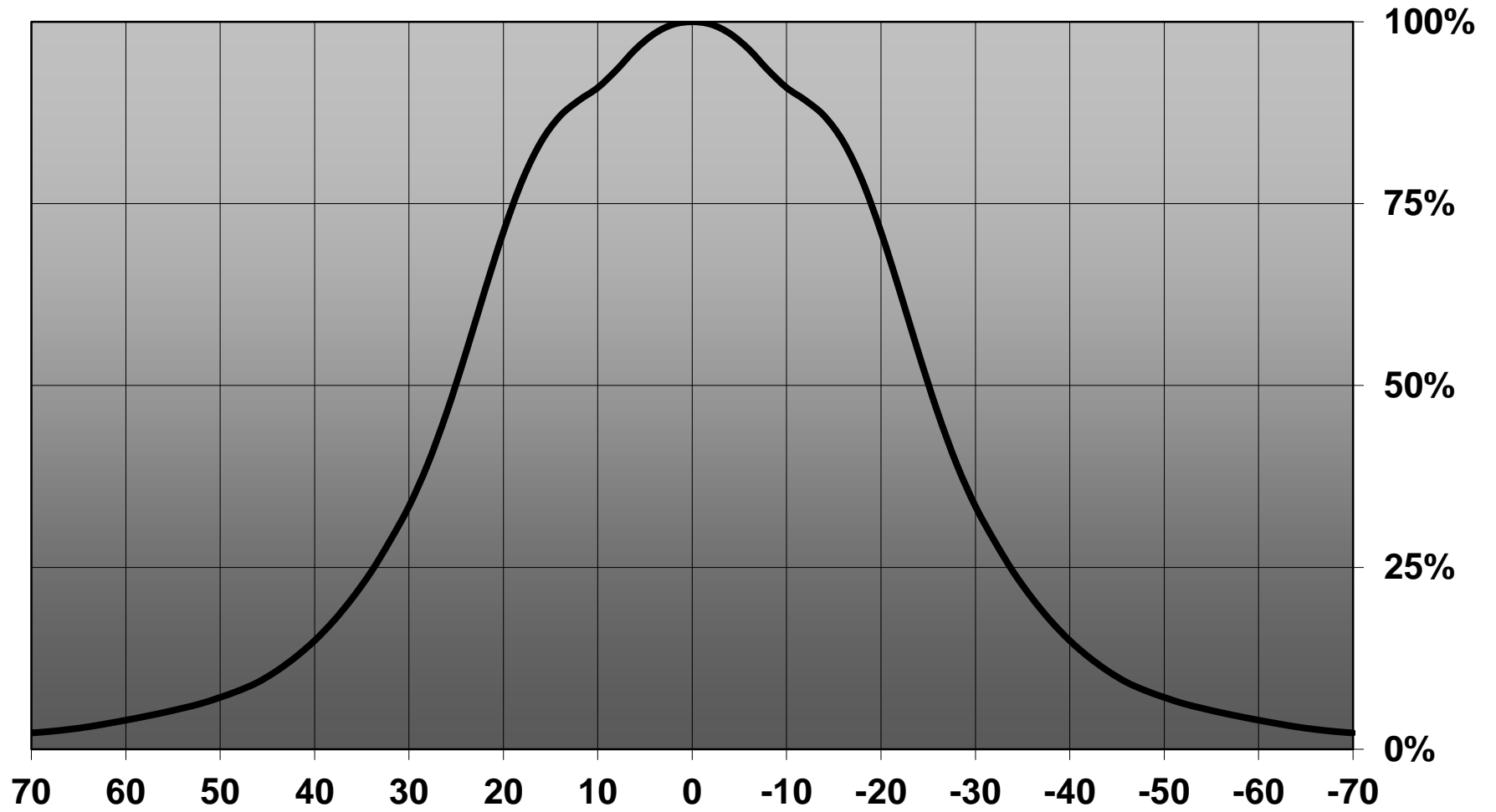
<b>Product Number</b>	C12767_HB-SQ-A
<b>Family</b>	HB
<b>Type</b>	Lens
<b>Color</b>	clear
<b>Diameter</b>	25 + 25 mm
<b>Height</b>	12,9 mm
<b>Style</b>	square
<b>Optic Material</b>	PMMA
<b>Holder Material</b>	
<b>Fastening</b>	glue, screw, pin
<b>Status</b>	production ready
<b>ROHS Compliant</b>	Yes
<b>Date Updated</b>	6/05/2014

## OPTICAL PROPERTIES

LED	Viewing Angle	Light Beam	Efficiency	cd/lm	Connector
MK-R	54 deg	HighBay	86 %	1.000	-
LUXEON M/MX	50 deg	HighBay	91 %	1.200	-
LUXEON MZ	42 deg	HighBay	87 %	1.400	-



Relative intensity of C12767\_HB-SQ-A (Luxeon-M)

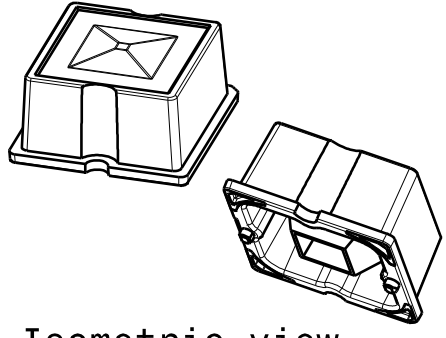


D

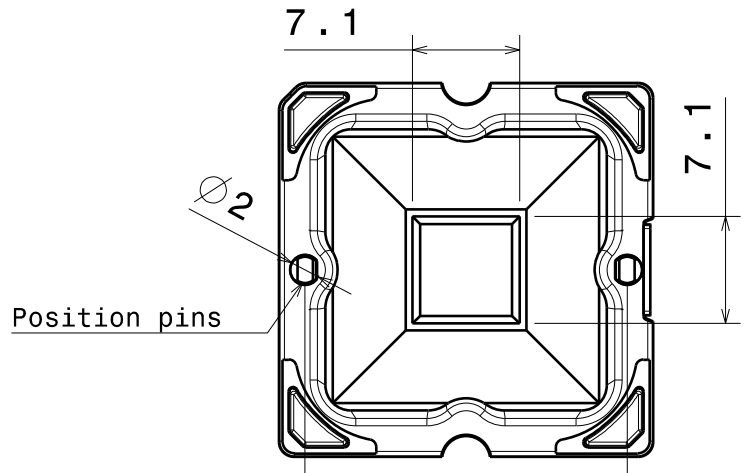
C

B

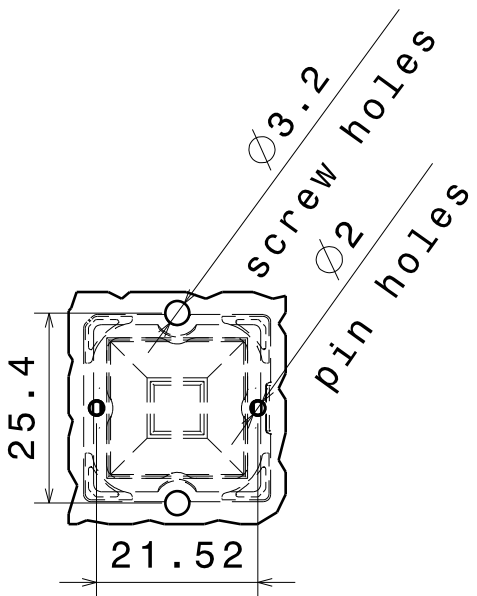
A



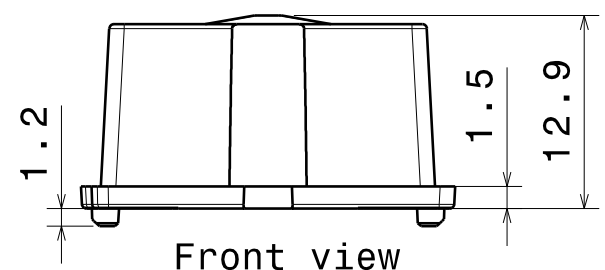
Isometric view



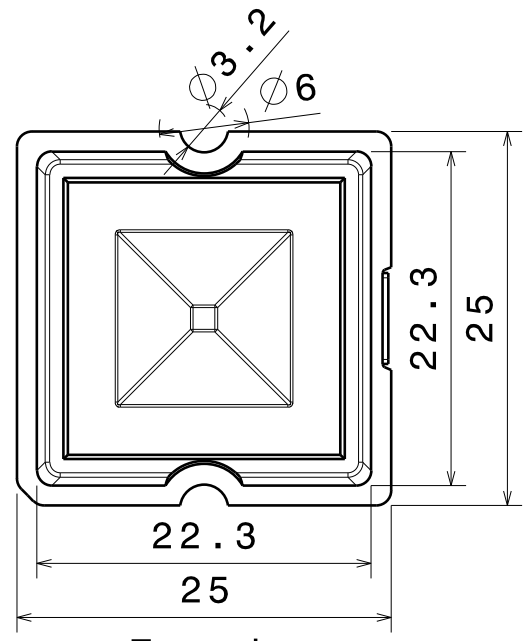
Bottom view



PCB-Suggestion



Front view



Top view

Material: PMMA

Tolerances if not otherwise shown:  
 According to DIN ISO 2768-1  
 Linear measures:  
 Up to 30mm class F, otherwise class M.

According to DIN ISO 2768-2  
 Form and position:  
 class K

Control for SPC marked dimensions.

This drawing is our property.  
 It can't be reproduced  
 or communicated without  
 our written agreement.



Ledil Oy  
 Salorankatu 10  
 FIN 24240 SALO  
 Finland

DRAWING TITLE

Datasheet HB-SQ-A lens

DRAWN BY  
 mav

DATE  
 27.03.2012

CHECKED BY  
 pv

DATE  
 27.03.2012

SIZE A4 DRAWING NUMBER C12767

REV 1

DESIGNED BY  
 mav

DATE  
 27.03.2012

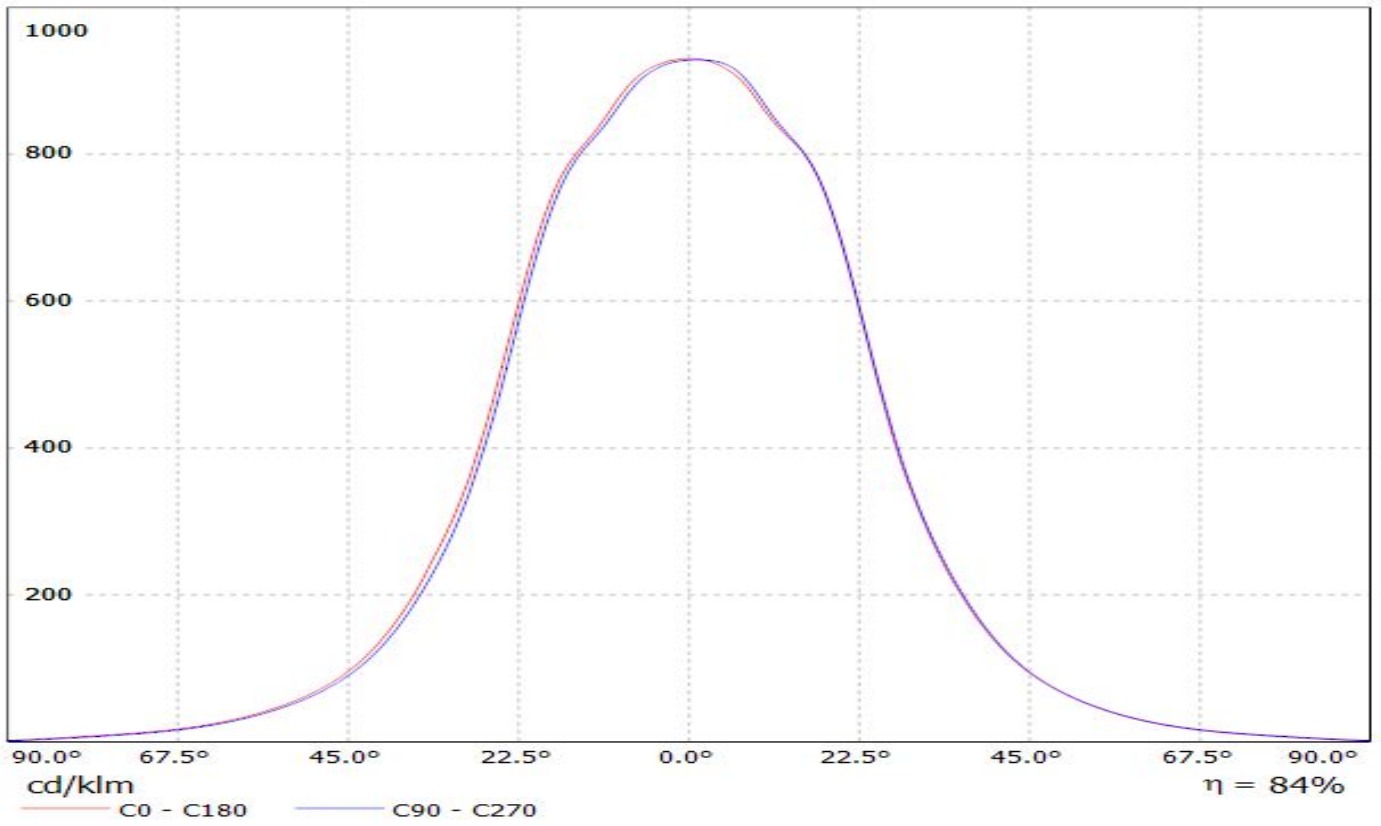
SCALE 1:1 WEIGHT (g) SHEET 1/1

D

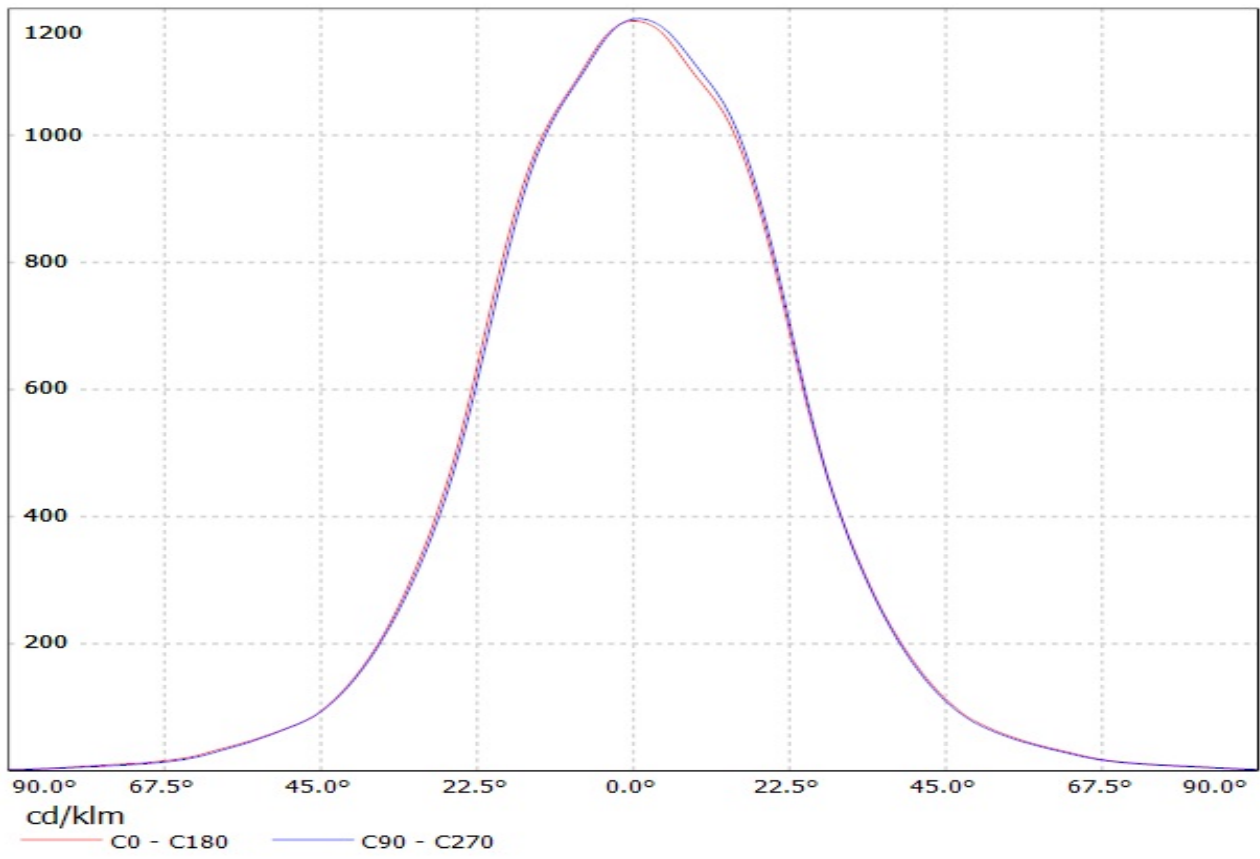
A

# LEDiL Oy C12767\_HB-SQ-A\_(MKR) Eff.84.3% / LDC (Linear)

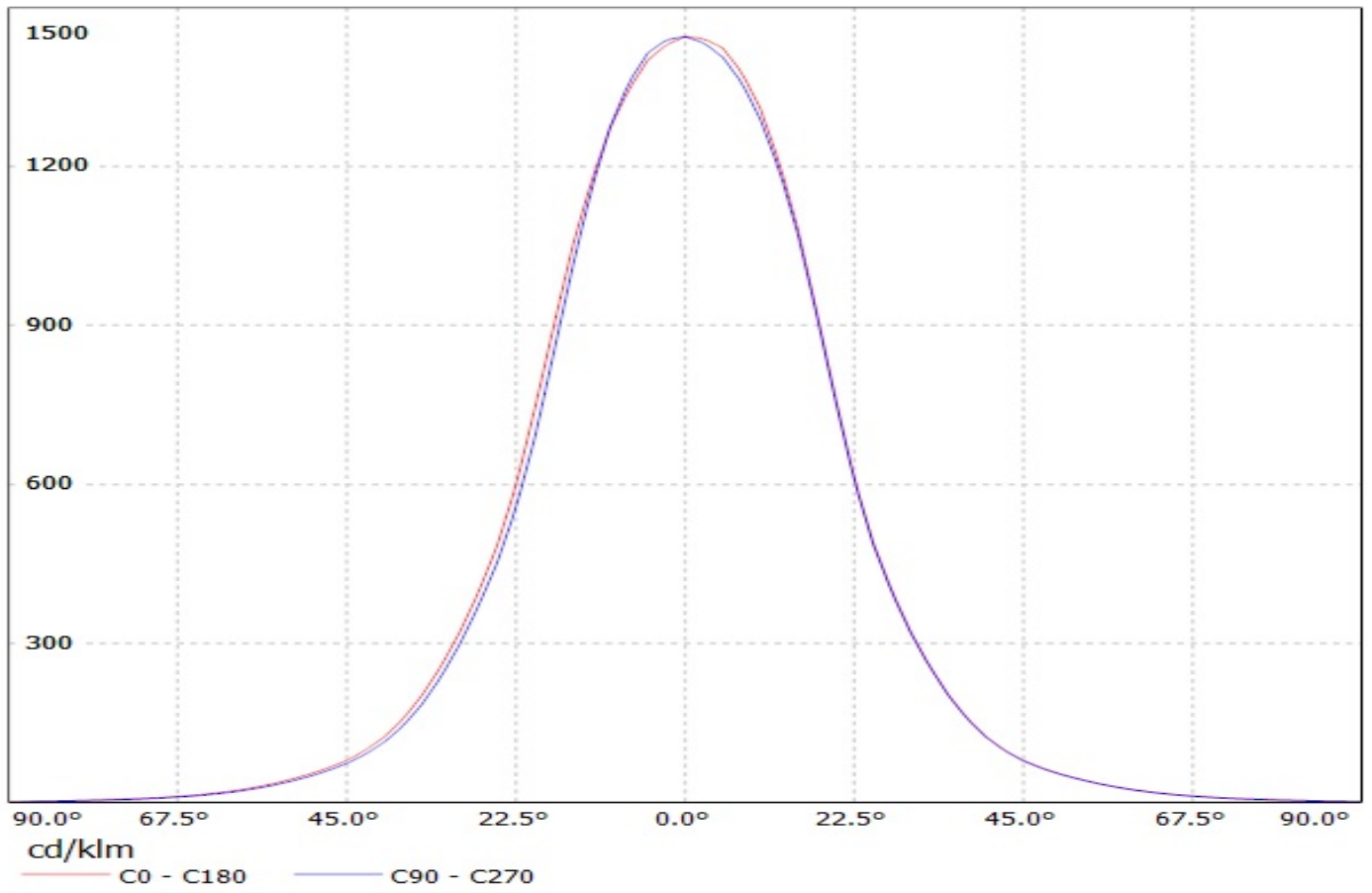
Luminaire: LEDiL Oy C12767\_HB-SQ-A\_(MKR) Eff.84.3%  
Lamps: 1 x Cree MKR (368.505lm@250mA)



Luminaire: LEDIL OY C12767\_HB-SQ-A (Luxeon M) Efficiency=91%  
Lamps: 1 x Luxeon M (360lm @ 250mA)



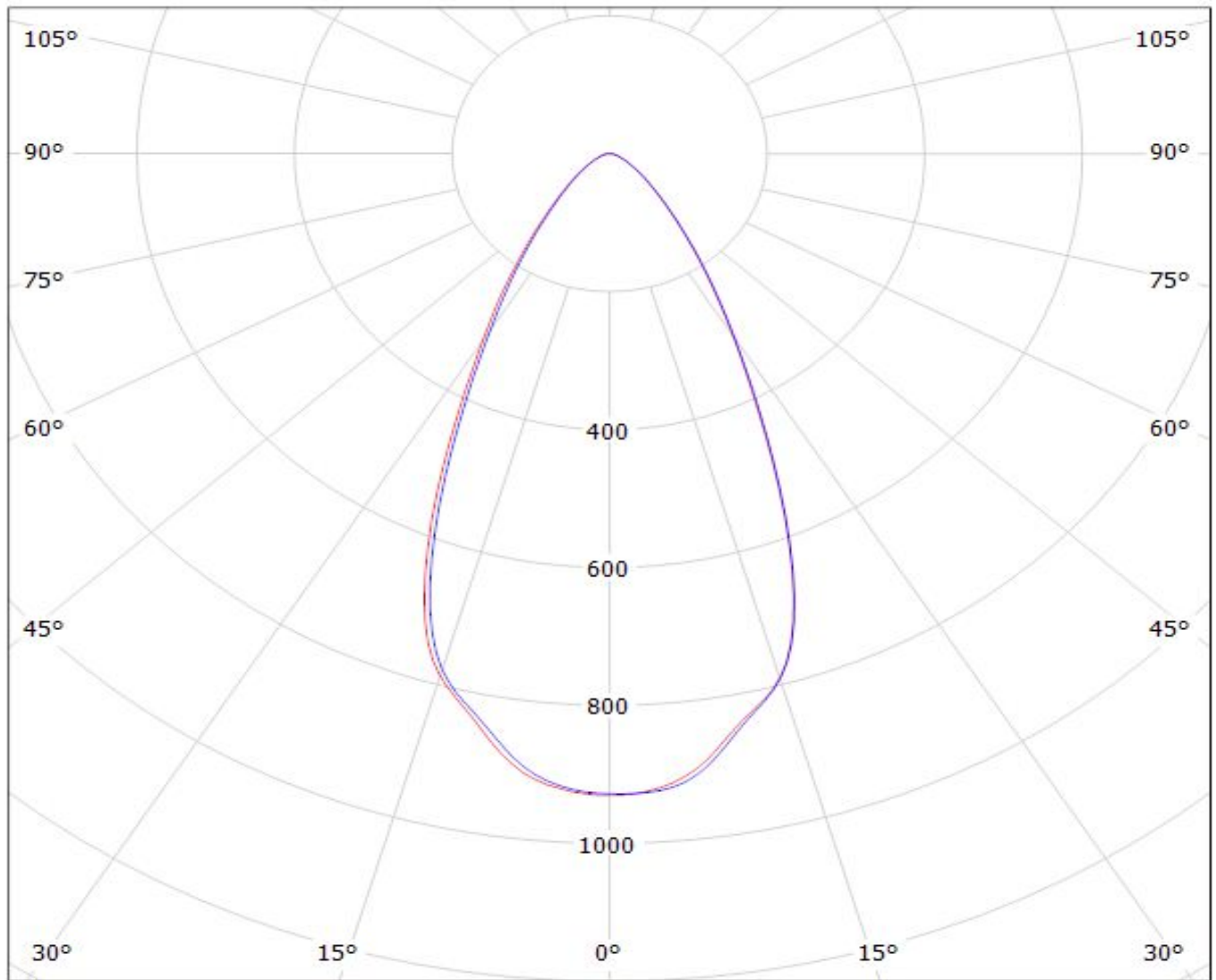
Luminaire: LEDiL Oy C12767\_HB-SQ-A (LUXEON-MZ) Eff.87.5%  
Lamps: 1 x LUXEON-MZ\_263.073lm@250mA\_P=2.7399W\_I=249.9mA



# LEDiL Oy C12767\_HB-SQ-A\_(MKR) Eff.84.3% / LDC (Polar)

Luminaire: LEDiL Oy C12767\_HB-SQ-A\_(MKR) Eff.84.3%

Lamps: 1 x Cree MKR (368.505lm@250mA)



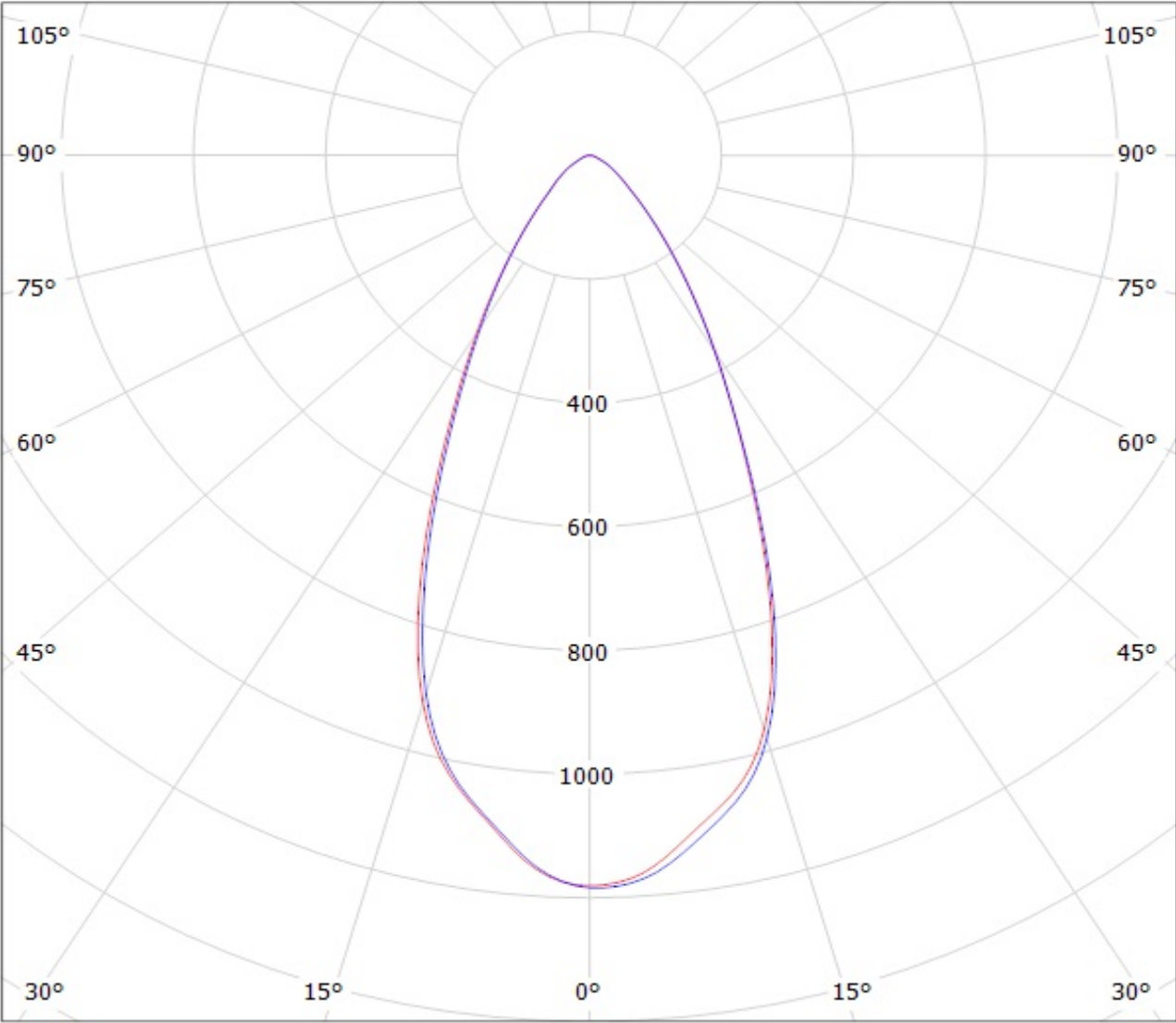
cd/klm

— C0 - C180

— C90 - C270

$\eta = 84\%$

Luminaire: LEDIL OY C12767\_HB-SQ-A (Luxeon M) Efficiency=91%  
Lamps: 1 x Luxeon M (360lm @ 250mA)

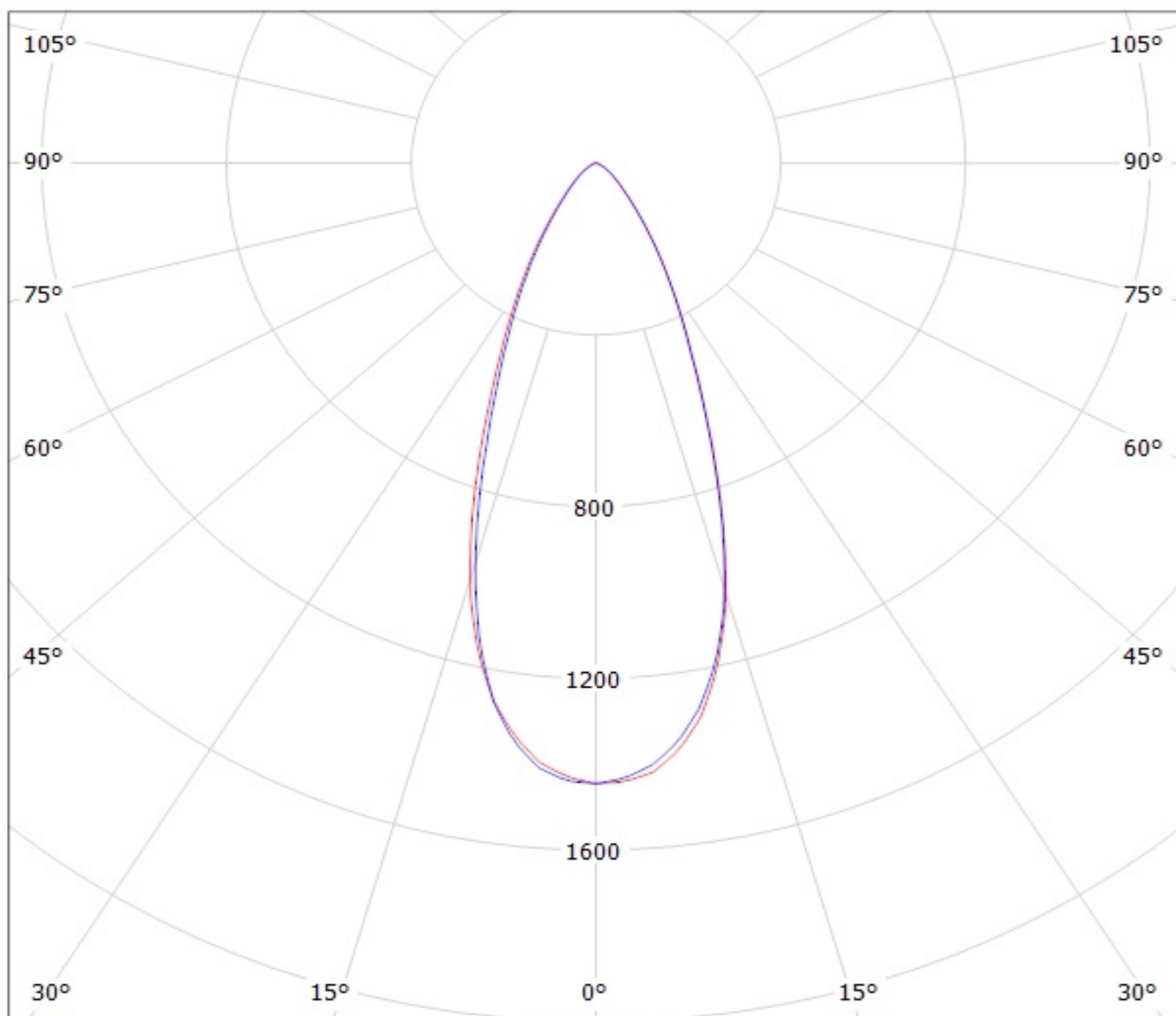


cd/klm

— C0 - C180    — C90 - C270



Luminaire: LEDiL Oy C12767\_HB-SQ-A\_(LUXEON-MZ) Eff.87.5%  
Lamps: 1 x LUXEON-MZ\_263.073lm@250mA\_P=2.7399W\_I=249.9mA



cd/klm

— C0 - C180

— C90 - C270

**NOTE: The typical divergence will be changed by different color, chip size and chip position tolerance. The typical total divergence is the full angle measured where the luminous intensity is half of the peak value.**