

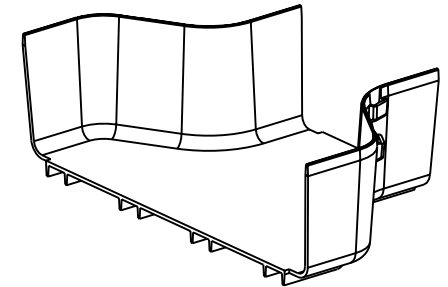
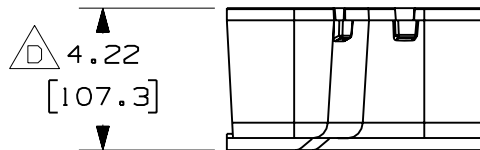
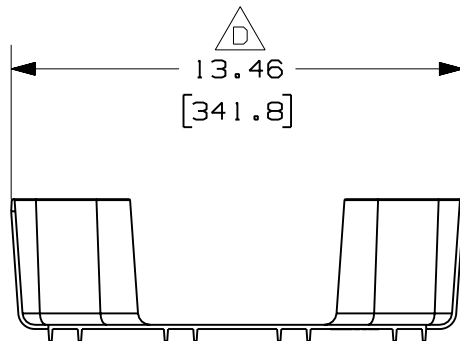
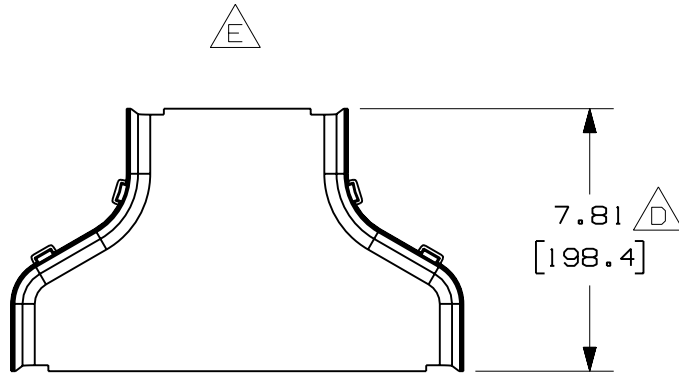
THIS COPY IS PROVIDED ON A RESTRICTED BASIS AND IS NOT TO BE USED IN ANY WAY DETRIMENTAL TO THE INTERESTS OF PANDUIT CORP.

PANDUIT PART NUMBER	WEIGHT
FRRF 126	0.82 LB/EACH (374g/EACH)



**F** NOTES:

1. SEE CURRENT CATALOG FOR ADDITIONAL PART SUFFIXES TO INDICATE COLOR AND/OR PACKAGE QUANTITY.
2. THE FIBERRUNNER 12x4 TO FIBERRUNNER 6x4 REDUCER IS DESIGNED WITH A MINIMUM 2" (50.8) BEND RADIUS TO PROTECT FIBER OPTIC CABLES.
3. DIMENSIONS IN PARENTHESES ARE IN METRIC.



ENG. REF.: D37617B1\_DC\_FRRF126\_01.prt

CAD FILENAME/LAYERS: **B** FRRF 126.pdf

**PANDUIT** CORP TINLEY PARK, ILLINOIS  
**FIBERRUNNER 12x4 TO FIBERRUNNER 6x4 REDUCER (FRRF 126)**  
**CUSTOMER DRAWING**

UNLESS OTHERWISE SPECIFIED, DIMENSIONAL TOLERANCES ARE: (.X) ± (.XXX) ± (.XX) ± .03 (.8) ANGLES ±		UNLESS OTHERWISE SPECIFIED, ALL DIMENSIONS ARE GIVEN IN INCHES, THIRD ANGLE PROJECTION.	
DRAWN BY: JHNU	MAT'L: ABS	SCALE: NONE	
DATE: 12-29-00		DRAWING NO.: 37617-67	DWG SIZE: A
CHK'D: HIW			

REV	DATE	BY	CHK	DESCRIPTION	ECN	R	CUST	SUP	GMBH
-	-----	---	---	F. REVISED GENERAL NOTES E. REMOVED DIMENSION	-----	--	--		
-	-----	---	---	D. RELOCATED DIMENSIONS C. REVISED PART WEIGHT	-----	--	--		
1	7-13-06	DTP	RN	B. REVISED CAD FILENAME A. REVISED DRAWING TITLE	37617-67	RN	RN		
R	12-29-00	JHNU	CEO	RELEASED TO PRODUCTION	37617-67	HIW	HIW		