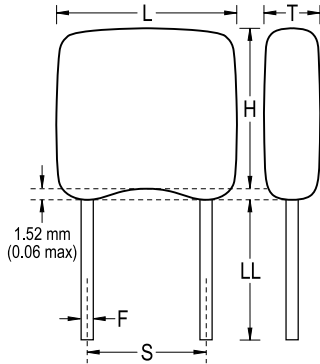


Capacitor, Ceramic, 1000 pF, +/-1% Tol, 100 V, COG, Lead Spacing=0.1"



General Information	
Supplier:	KEMET
Application:	General Purpose
Part Type Description:	GoldMax, Commercial Standard
Temperature Coefficient:	COG
Body Type:	Radial Conformal
Lead Type:	Wire Leads
Termination Type:	Tin (Sn)
RoHS:	Yes

Dimensions (mm)		
Symbol	Dimension	Tolerance
L	3.81	MAX
H	3.14	MAX
T	2.54	MAX
S	2.54	NOM
LL	7	MIN
F	0.51	NOM

Specifications	
Capacitance:	1000 pF
Voltage:	100 V
Tolerance:	+/-1%
Temperature Range:	-55/+125C
Failure Rate:	N/A
Dissipation Factor:	0.1%
Insulation Resistance:	100 GOhm
Dielectric Strength:	250 V

Packaging Specifications	
Package Kind:	Bulk
Package Type:	Bag
Package Quantity:	500